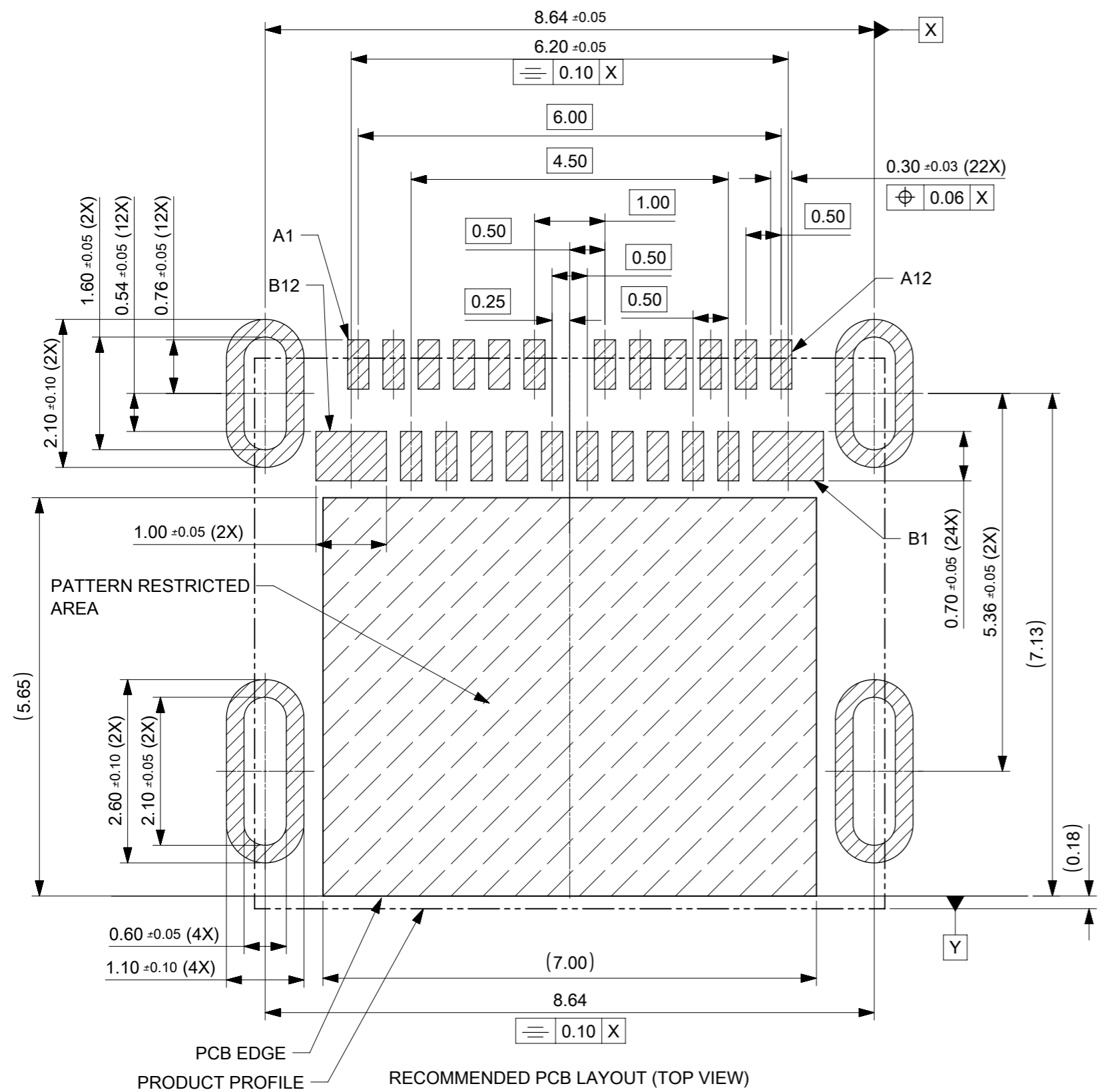


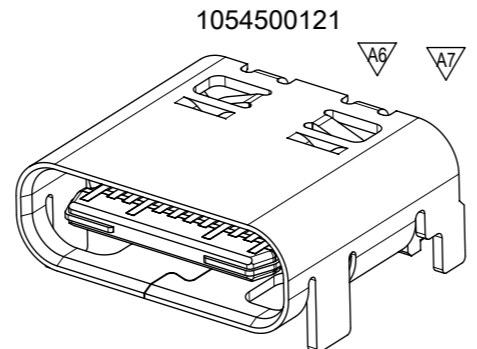
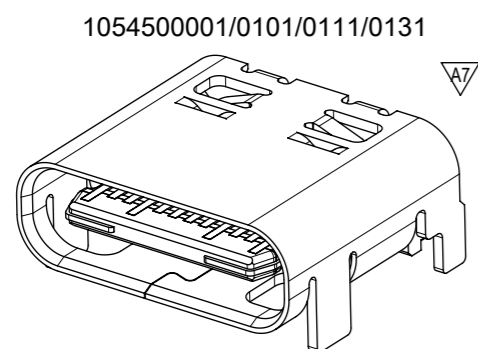
PART NO.	DESCRIPTION	L	PACKAGE
1054500001	SEE NOTES 2 (1) FOR CONTACT AREA PLATING	0.80	PK-105450-001
1054500101	SEE NOTES 2 (2) FOR CONTACT AREA PLATING	0.50	
1054500111	SEE NOTES 2 (2) FOR CONTACT AREA PLATING	1.30	
1054500121	SEE NOTES 2 (2) FOR CONTACT AREA PLATING	0.80	1054506666

THIS DRAWING CONTAINS INFORMATION THAT IS PROPRIETARY TO MOLEX ELECTRONIC TECHNOLOGIES, LLC AND SHOULD NOT BE USED WITHOUT WRITTEN PERMISSION		CURRENT REV DESC:		molex	
DIMENSION UNITS	SCALE	EC NO: 613007			
mm		DRWN: FYANG05 2019/03/01		USB C TYPE REC TOP MOUNT SMT TAIL	
GENERAL TOLERANCES (UNLESS SPECIFIED)		CHK'D: RZHANG 2019/03/01			
ANGULAR TOL	± 3.0°	APPR: RZHANG 2019/03/01		PRODUCT CUSTOMER DRAWING	
4 PLACES	±	INITIAL REVISION:		DOCUMENT NUMBER	
3 PLACES	±	DRWN: RZHANG 2015/04/20		SD-105450-001	
2 PLACES	± 0.2	APPR: AYIN 2015/04/20		DOC TYPE	
1 PLACE	± 0.2	THIRD ANGLE PROJECTION		PSD	
0 PLACES	±	DRAWING		DOC PART	
DRAFT WHERE APPLICABLE MUST REMAIN WITHIN DIMENSIONS		SERIES		REVISION	
		A3-SIZE		000 A7	
		MATERIAL NUMBER		SHEET NUMBER	
		105450		1 OF 2	
		CUSTOMER			
		GENERAL MARKET			



- NOTES:
- MATERIAL,
 - HOUSING: HIGH TEMPERATURE THERMAL PLASTIC, GLASS FILLED, BLACK, UL94V-0.
 - TERMINAL: COPPER ALLOY
 - SHELL: STAINLESS STEEL
 - INNER SHELL: STAINLESS STEEL
 - MIDDLE BLADE: STAINLESS STEEL
 - PLATING:
 - TERMINAL: CONTACT AREA:
 - (1) 0.76 MICROMETER MIN. GOLD PLATING
 - (2) GOLD FLASH OVER 0.76 MICROMETER MIN. PALLADIUM/NICKEL PLATING
 - AND SOLDER TAIL: 0.05 MICROMETER MIN. GOLD PLATING
 - UNDER PLATING: 2 MICROMETER MIN. NICKEL PLATING OVERALL
 - SHELL: 1 MICROMETER MIN. SOLDERABLE NICKEL PLATING OVERALL
 - INNER SHELL: CLEANING
 - MIDDLE BLADE: 2MICRON MIN. TIN PLATING ON THE SOLDER TAIL AND 1 MICROMETER NICKEL PLATING OVERALL
 - PRODUCT SPEC REFER TO PS-105448-001
 - COPLANARITY OF SMT PINS SOLDER TAIL IS 0.10 MAX. BEFORE AND AFTER REFLOW
 - T/H SOLDER TAIL POSITION BE CONTROLLED BY GAUGE
 - PRODUCT COMPLANT TO ROHS DIRECTIVE 2011/65/EU AND ELV DIRECTIVE 2000/53/EC

PIN ASSIGNMENT												BLADE	SHELL
A1	A2	A3	A4	A5	A6	A7	A8	A9	A10	A11	A12		
GND	TX1+	TX1-	VBUS	CC1	D+	D-	SBU1	VBUS	RX2-	RX2+	GND		
GND	RX1+	RX1-	VBUS	SBU2	D-	D+	CC2	VBUS	TX2-	TX2+	GND	GND	GND
B12	B11	B10	B9	B8	B7	B6	B5	B4	B3	B2	B1		



THIS DRAWING CONTAINS INFORMATION THAT IS PROPRIETARY TO MOLEX ELECTRONIC TECHNOLOGIES, LLC AND SHOULD NOT BE USED WITHOUT WRITTEN PERMISSION											
DIMENSION UNITS: mm		SCALE:		CURRENT REV DESC:							
GENERAL TOLERANCES (UNLESS SPECIFIED):		ANGULAR TOL ± 3.0°		EC NO: 613007							
4 PLACES ±		3 PLACES ±		DRWN: FYANG05 2019/03/01							
2 PLACES ± 0.2		1 PLACE ± 0.2		CHK'D: RZHANG 2019/03/01							
0 PLACES ±		DRAFT WHERE APPLICABLE MUST REMAIN WITHIN DIMENSIONS		APPR: RZHANG 2019/03/01							
THIRD ANGLE PROJECTION		DRAWING		SERIES		MATERIAL NUMBER		CUSTOMER		SHEET NUMBER	
A3-SIZE		105450		SD-105450-001		PSD		000		A7	
GENERAL MARKET		2 OF 2									