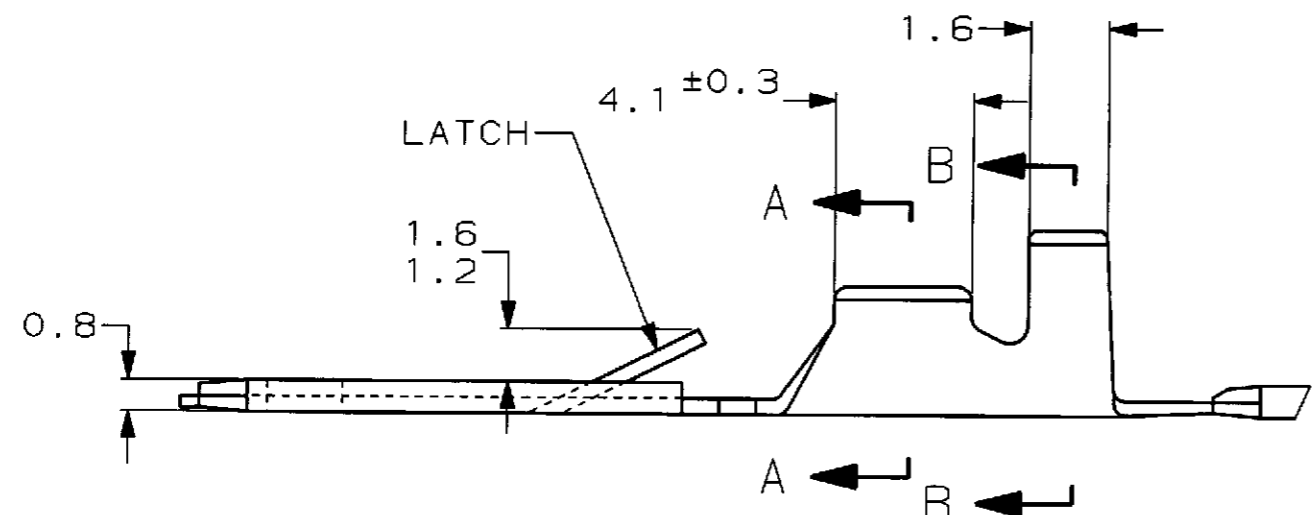
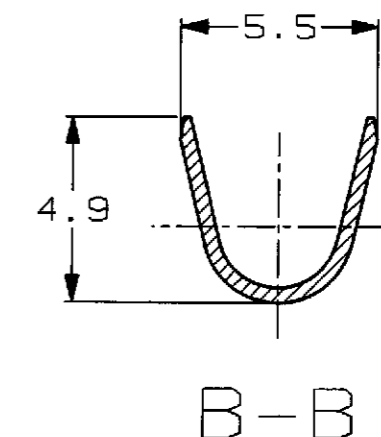
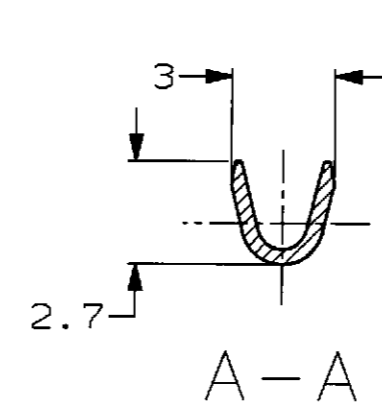
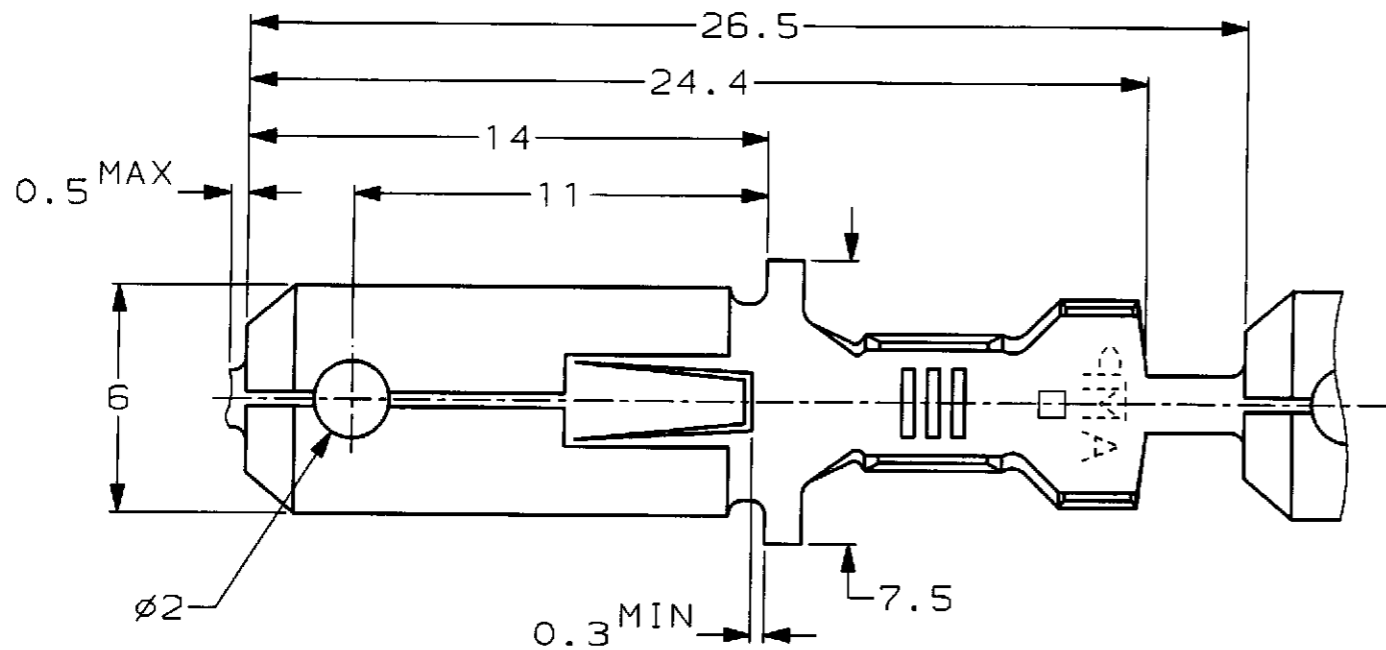


P	LTR	DESCRIPTION	ECN	DATE	DWN	APVD
	A	REDRAWN W/O CHANGE	FJ00-1744-98	16SEP98	TS	KB
	A1	REVISED	ECO-10-000445	08JAN10	KK	AEG
	A2	REVISED	ECO-17-012711	30AUG17	RS	TD



1 OBSOLETE PARTS: OBSOLETE CIS STREAMLINING PER D.RENAUD/D.SINISI

1 OBSOLETE	170303	PRE-TIN BRASS t0.4 錫めっき済黄銅	170302-3
1 OBSOLETE	170303	PRE-TIN BRASS t0.4 錫めっき済黄銅	170302-2
1 OBSOLETE	170303	BRASS t0.4 黄銅	170302-1
MATING RECEPTACLE 嵌合相手型番		FINISH 仕上げ	MATERIAL 材料
WIRE RANGE 挿合電線断面積 0.3-0.89mm ² (AWG#22-#18)		INSULATION DIA 被覆外径 1.5-2.6	

THIS DRAWING IS A CONTROLLED DOCUMENT FOR AMP INCORPORATED. IT IS SUBJECT TO CHANGE AND THE CONTROLLING ENGINEERING ORGANIZATION SHOULD BE CONTACTED FOR THE LATEST REVISION.		DWN T. SHINOHARA 16SEP98	TE Connectivity	
DIMENSIONS: 単位・規 mm	TOLERANCES UNLESS OTHERWISE SPECIFIED 一般公差 10% : ±0.2 30% : ±0.25 100% : ±0.3 ANGLE : ±0.3°	CHK K. BETSUI 16SEP98	NAME 名称 250 SERIES TAB WITH LATCH 250 シリーズ ラッチ付 タブ	
MATERIAL 材料 SEE TABLE 表参照	FINISH 仕上 SEE TABLE 表参照	PRODUCT SPEC 製品規格 108-5001	SIZE A3	CAGE CODE 00779
CUSTOMER DRAWING		APPLICATION SPEC 取付適用規格 -	DRAWING NO 番号 170302	RESTRICTED TO 番号 -
		WEIGHT 0.75g	SCALE 尺度 5 : 1	SHEET 1 OF 1