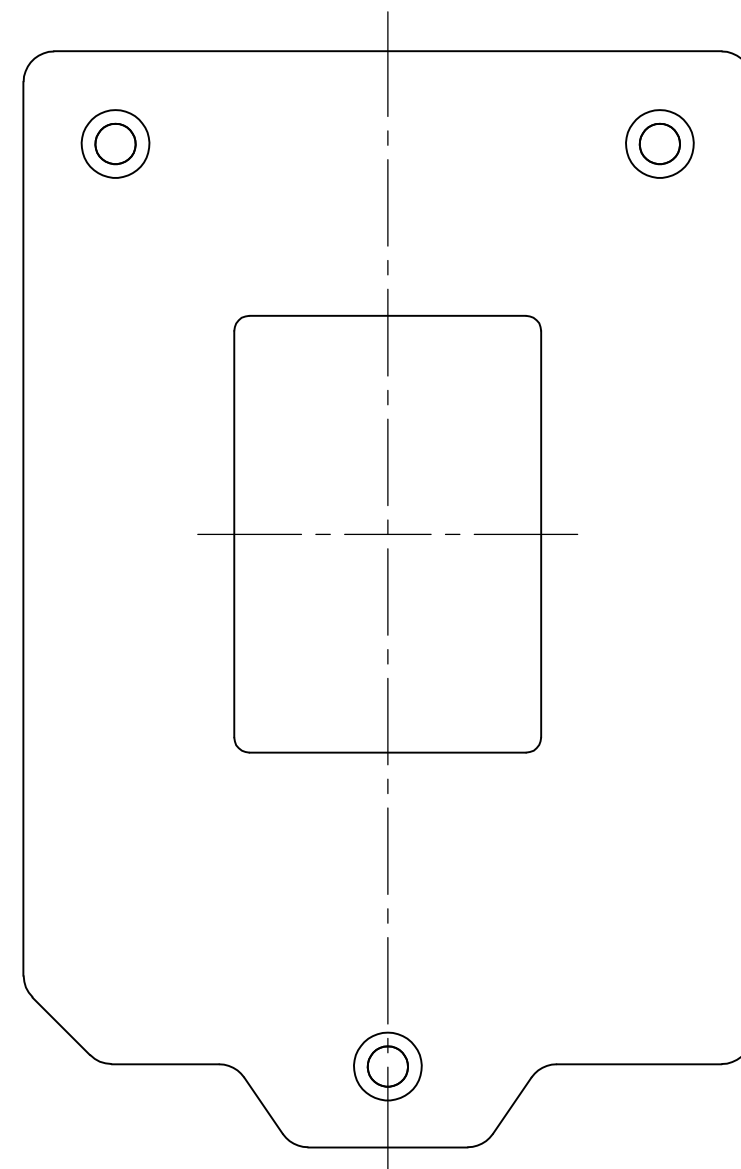
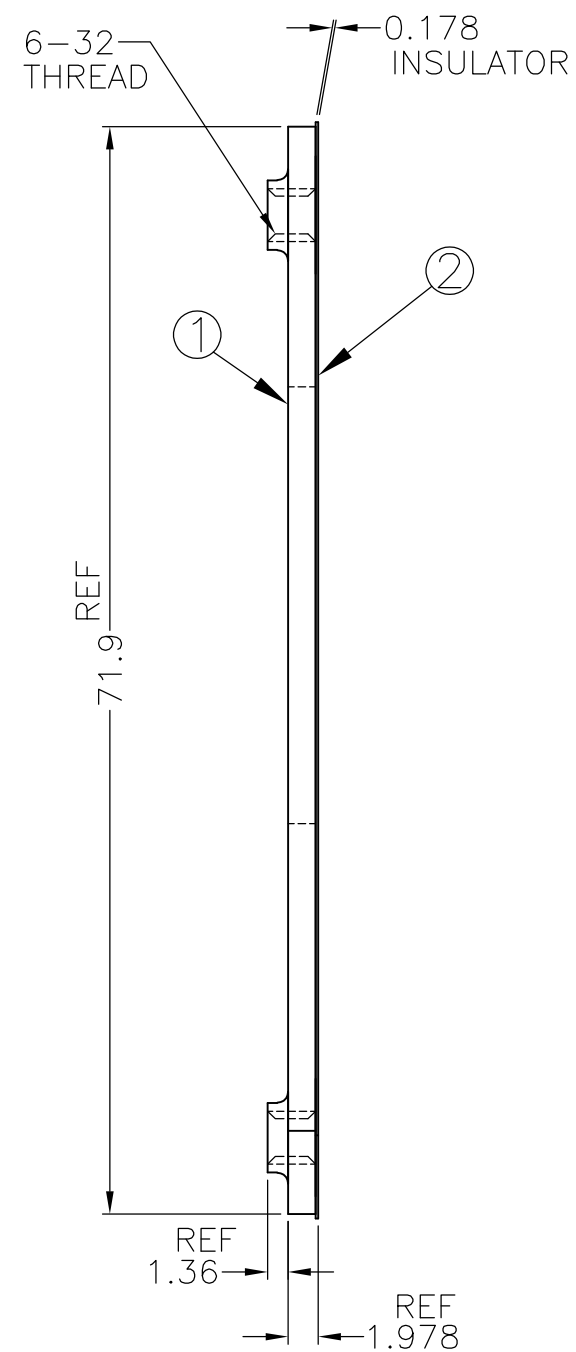
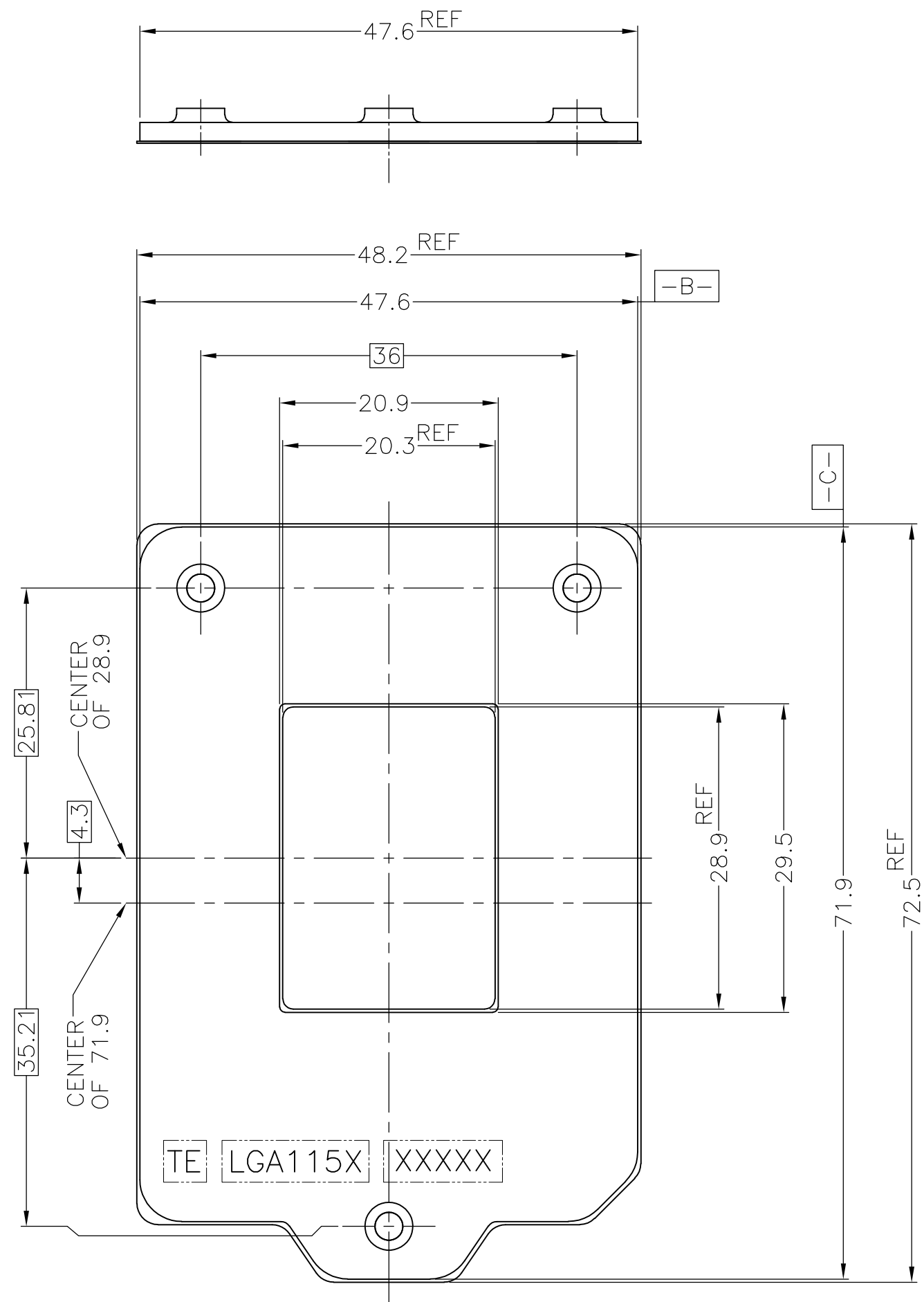


LOC J	DIST -	REVISIONS			
		P	LTR	DATE	DWN APVD
		E	REVISED	25MAR'15	J.W C.W



1. MATERIAL:  
 ① BACK PLATE MATERIAL AND FINISH  
 P/N:2013883-2,-4, STAINLESS STEEL, NONE  
 ② INSULATOR: POLYCARBONATE FILM PLUS ACRYLIC ADHESIVE LAYER  
 2. ASSEMBLED WITH ILM ASSEMBLY P/N: 2013882 SERIES

NONE	2013883-4
NONE	2013883-2
FINISH	PART NUMBER

2013883-2,-4 AS SHOWN

THIS DRAWING IS A CONTROLLED DOCUMENT.		DWN H.TAGUCHI 28JUL2009	TE Connectivity																	
DIMENSIONS: 単位: 純 mm		CHK S.HASHIMOTO 28JUL2009																		
TOLERANCES UNLESS OTHERWISE SPECIFIED: 一般公差		APVD T.NAKASHIMA 28JUL2009																		
<table border="0"> <tr> <td>6-PLC</td> <td>±</td> <td>±0.3</td> </tr> <tr> <td>1-PLC</td> <td>±</td> <td></td> </tr> <tr> <td>2-PLC</td> <td>±</td> <td>±3°</td> </tr> <tr> <td>3-PLC</td> <td>±</td> <td></td> </tr> <tr> <td>4-PLC</td> <td>±</td> <td></td> </tr> </table>		6-PLC	±	±0.3	1-PLC	±		2-PLC	±	±3°	3-PLC	±		4-PLC	±		NAME T.NAKASHIMA		PRODUCT SPEC 製品規格 108-78586	
6-PLC	±	±0.3																		
1-PLC	±																			
2-PLC	±	±3°																		
3-PLC	±																			
4-PLC	±																			
MATERIAL 材料		APPLICATION SPEC 取付適用規格 114-5444		SIZE A2	CAGE CODE 00779															
FINISH 仕上		WEIGHT 37.9g		DRAWING NO C=2013883																
CUSTOMER DRAWING			SCALE 尺度 2:1	SHEET 1 of 1	REV E															