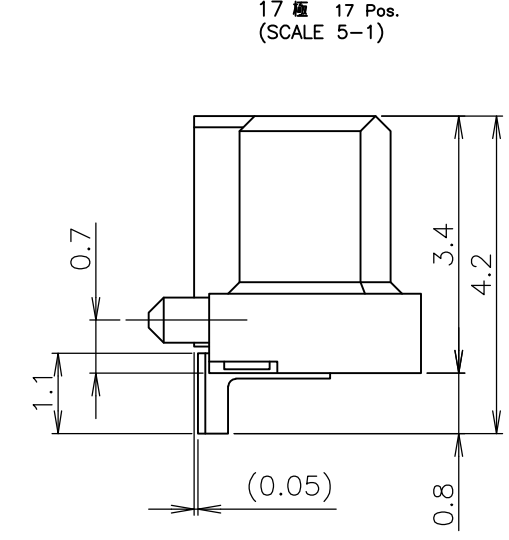
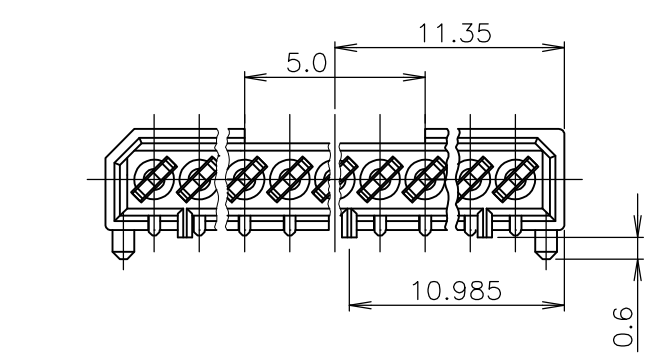
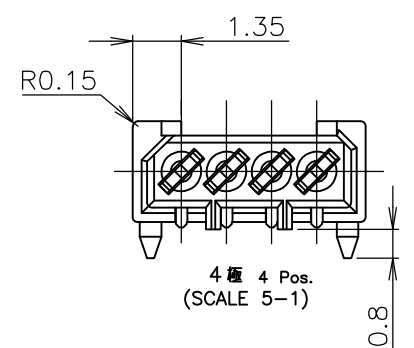
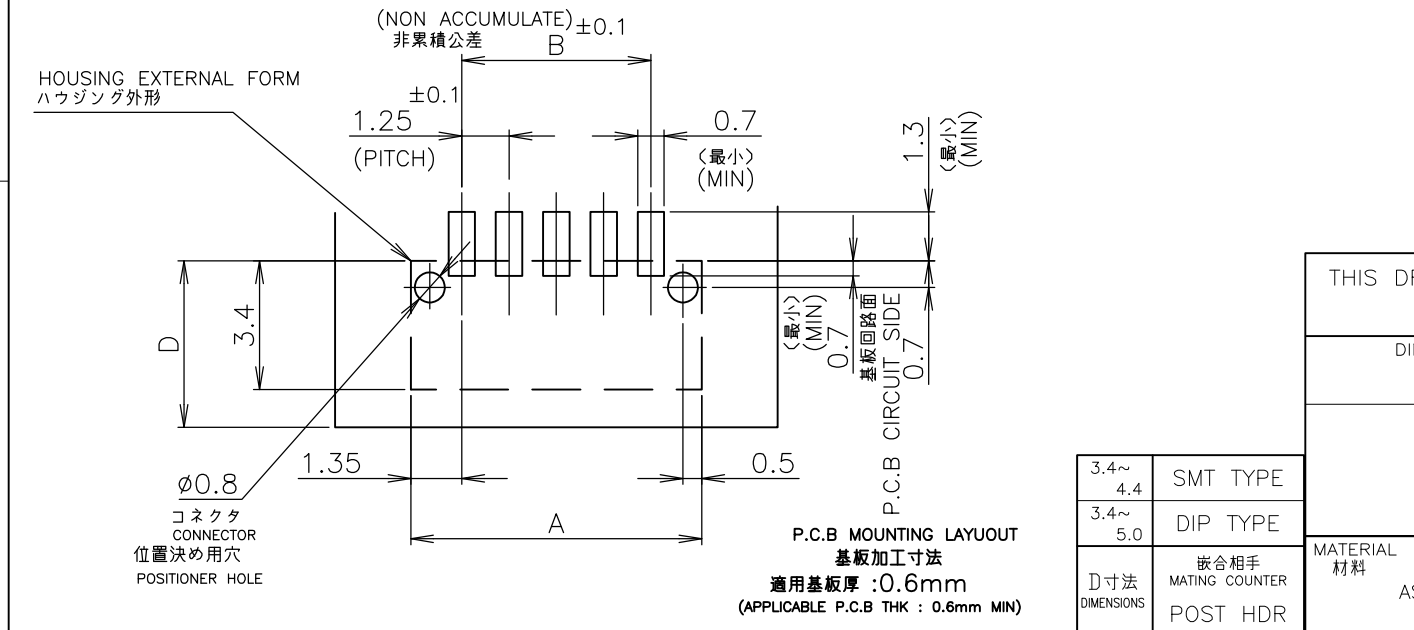
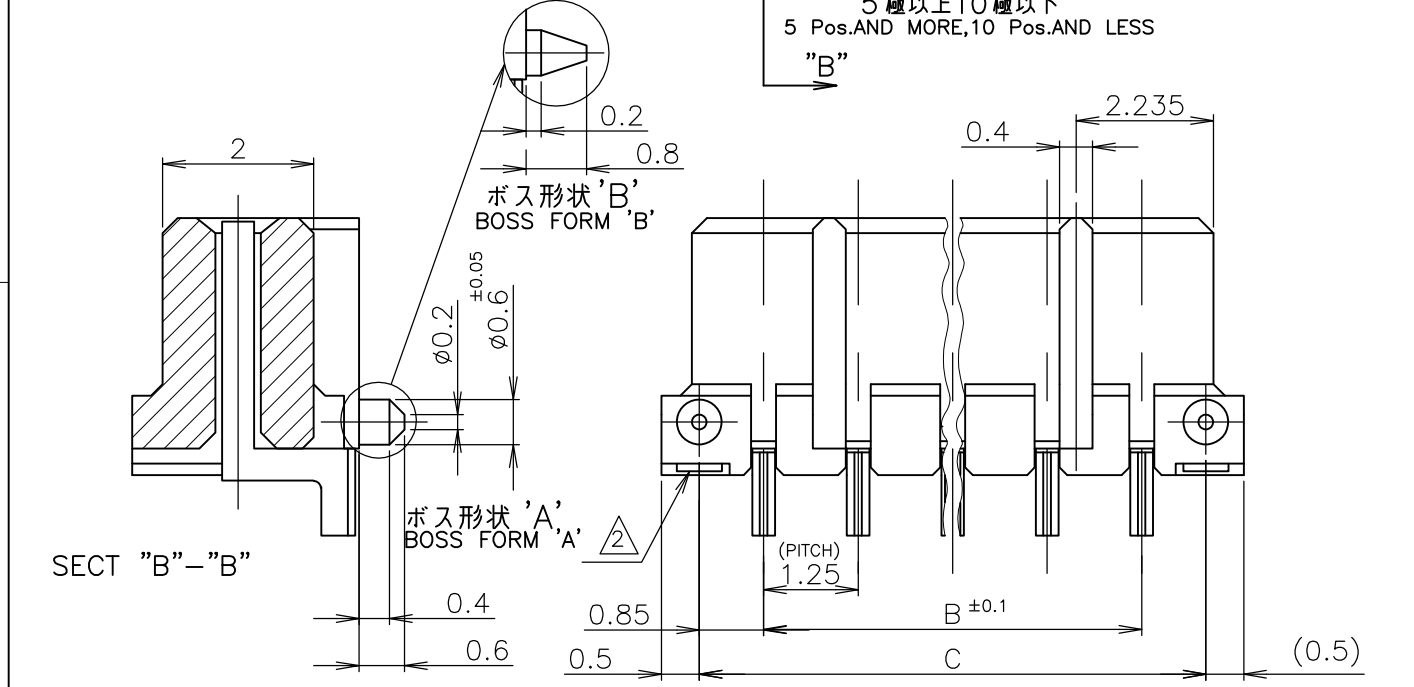
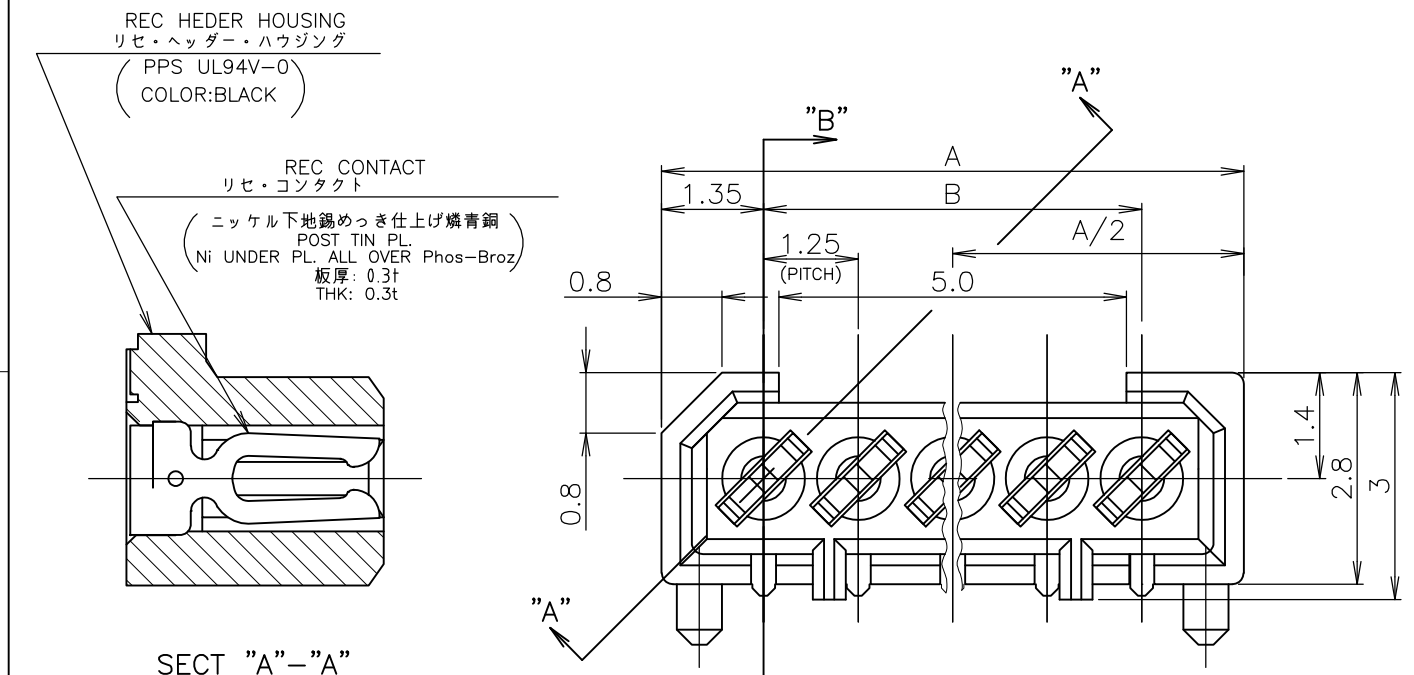


THIS DRAWING IS UNPUBLISHED. RELEASED FOR PUBLICATION
 © COPYRIGHT By - ALL RIGHTS RESERVED.

LOC	DIST	REVISIONS					
		P	LTR	DESCRIPTION	DATE	DWN	APVD
J		L2		ECR-15-018167	14JAN2016	I.T	W.H

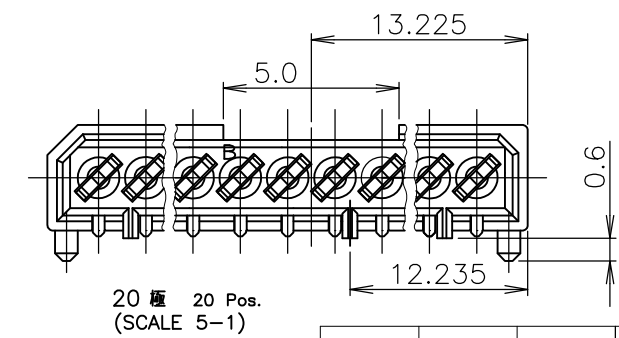
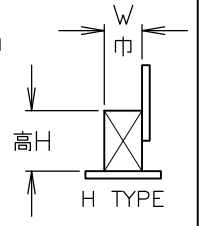


注記 NOTES
 1 嵌合相手製品型番及び、嵌合時寸法は MATING COUNTER PART NUMBER AND DIMENSIONS 表-1 参照のこと。 AFTER MATING: SEE TABLE 1.
 嵌合時寸法: 巾(mm) x 高さ(mm)
 DIMENSIONS AFTER MATING: WIDE(mm) x HEIGHT(mm)

DIP TYPE	MATING COUNTER CONN 嵌合相手側コネクタ POST HDR ASSY		REC HDR ASSY SMT H TYPE WITH BOSS X-174638-X	
	製品型番	P/N	高さ H	
DIP TYPE	X-174642-X		3.95	3.0 (巾W) x 5.8 (高さH)
			5.95	3.0 (巾W) x 7.8 (高さH)
SMT TYPE	ボス無 WITHOUT BOSS X-174644-X ボス付 WITH BOSS X-174820-X		3.95	4.4 (巾W) x 5.8 (高さH)
			5.95	4.4 (巾W) x 7.8 (高さH)

TABLE 1 SMT TYPEは、巾及び高さ寸法に SMT TYPE INCLUDE DIMENSIONS 半田付タイプ寸法を含みます。 OF SOLDER DIP TIME.

- 2 基板位置決め用ボス切断跡。 CUT MARK OF POSITIONER BOSS.
- 3 OBSOLETE PARTS: OBSOLETE CIS STREAMLINING PER D.RENAUD/D.SINISI



(L2)	OBSOLETE		25.45	23.75	26.45	20	5	0
(L3)	OBSOLETE		21.70	20.00	22.70	17	4	7
(L1)	REACTIVE		12.95	11.25	13.95	10	4	0
	OBSOLETE		10.45	8.75	11.45	8	3	8
	OBSOLETE	'A'	9.20	7.50	10.20	7	3	7
(L1)	REACTIVE		7.95	6.25	8.95	6	3	6
	OBSOLETE		6.70	5.00	7.70	5	3	5
	ACTIVE	'B'	5.45	3.75	6.45	4	3	174638-4
		ボス形状 BOSS FORM	C	B	A	極数 Pos.		型番 P/N

THIS DRAWING IS A CONTROLLED DOCUMENT.

DWN J.TANIGAWA 03JUL87	 TE Connectivity
CHK S.KIKUCHI 03JUL87	
APVD S.KUBOUCHI 24DEC98	
PRODUCT SPEC 製品規格	
APPLICATION SPEC 取付適用規格	NAME 名称
WEIGHT	1.25 F-P コネクタ (基板対基板接続用) 例仕様 リセ ヘッダー アッセンブリ 基板垂直取付型 (H) サーフェスマウントタイプ 基板位置決め用ボス付 1.25 F-P CONNECTOR (B-TO-B) SINGLE ROW REC HDR ASS'Y (H) SMT TYPE WITH BOSS
CUSTOMER DRAWING	SIZE CAGE CODE DRAWING NO 番号 RESTRICTED TO
	A3 00779 C-174638
	SCALE 尺度 10:1 SHEET 1 OF 1 REV L2