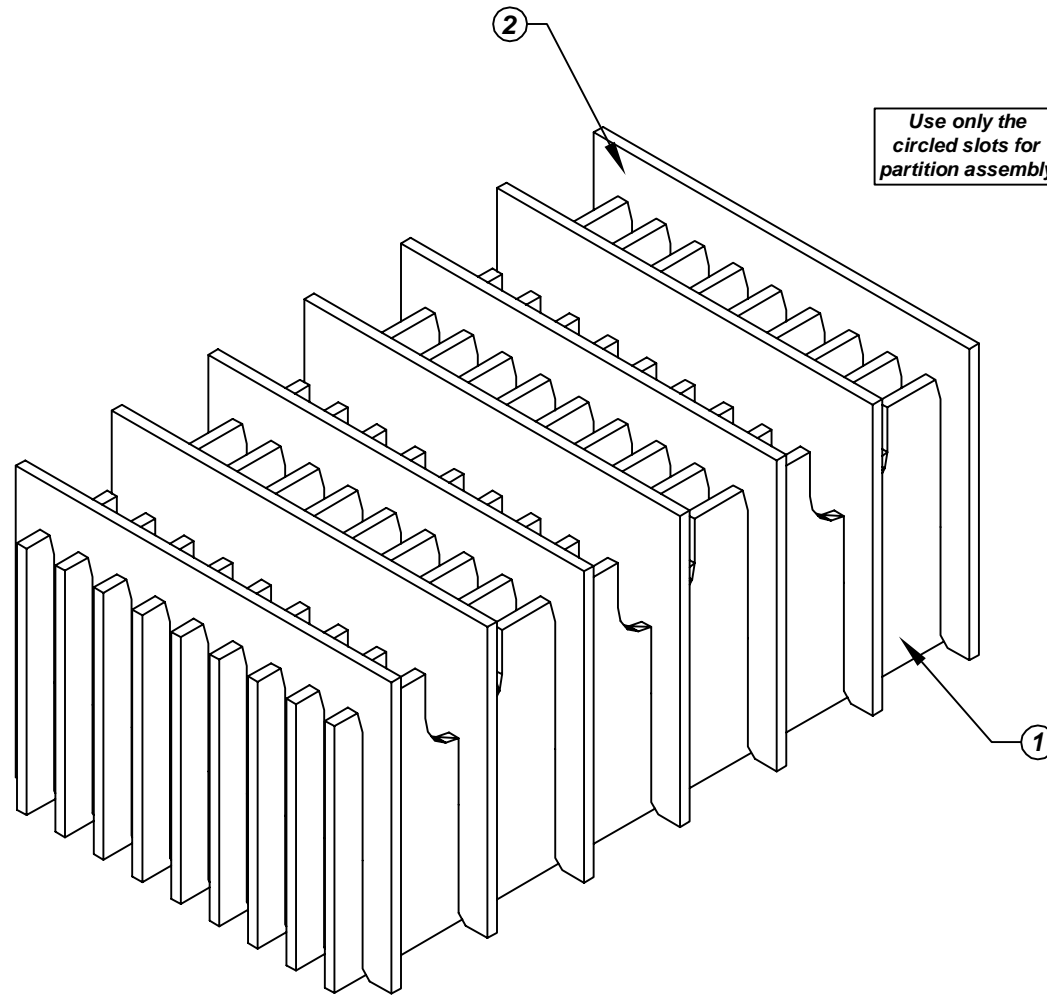
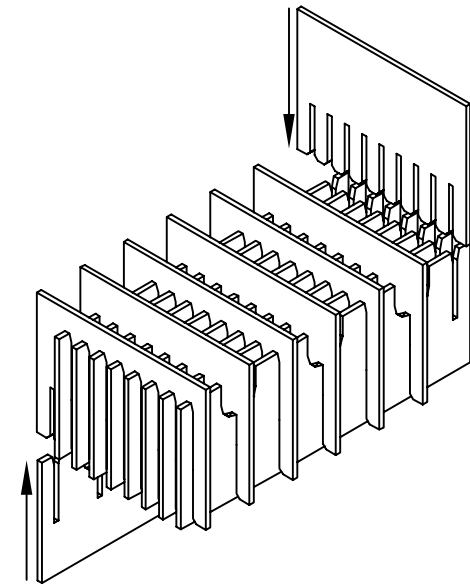
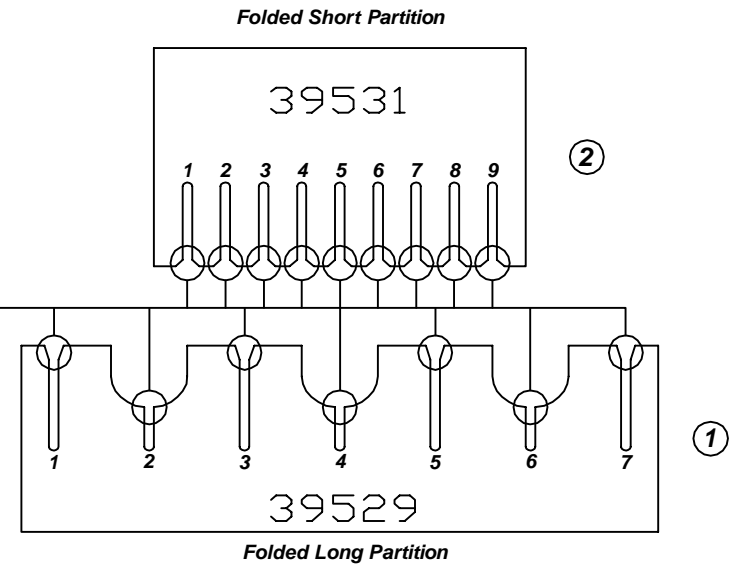


# Assembly Instructions for - 37157



Use only the circled slots for partition assembly



Made in America

F/N ①	Part # 39529	Dimensions: 12-3/16" x 16-11/16"	Description: 400 - LP Long Partition	Qty: 9
F/N ②	Part # 39531	Dimensions: 14-3/16" x 9-3/4"	Description: 400 - SP Short Partition	Qty: 7

Notes:  
For use with the following storage container & lid:  
37500 - Storage Container  
37550 - Lid

PROTEKTIVE PAK  
13520 MONTE VISTA AVENUE, CHINO, CA 91710  
PHONE (909) 627-2578, FAX (909) 363-7331  
ProtectivePak.com

**PROTEKTIVE PAK**  
BURIED CONDUCTIVE LAYER

DRAWING NUMBER  
**IPH-37157**

DATE  
Dec.  
2007

**37157 - 60 Cell Inplant Handler**  
**Cell Size - 7-1/4" x 2-1/8" x 3/4"**