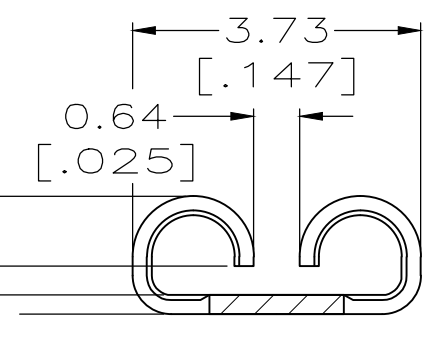
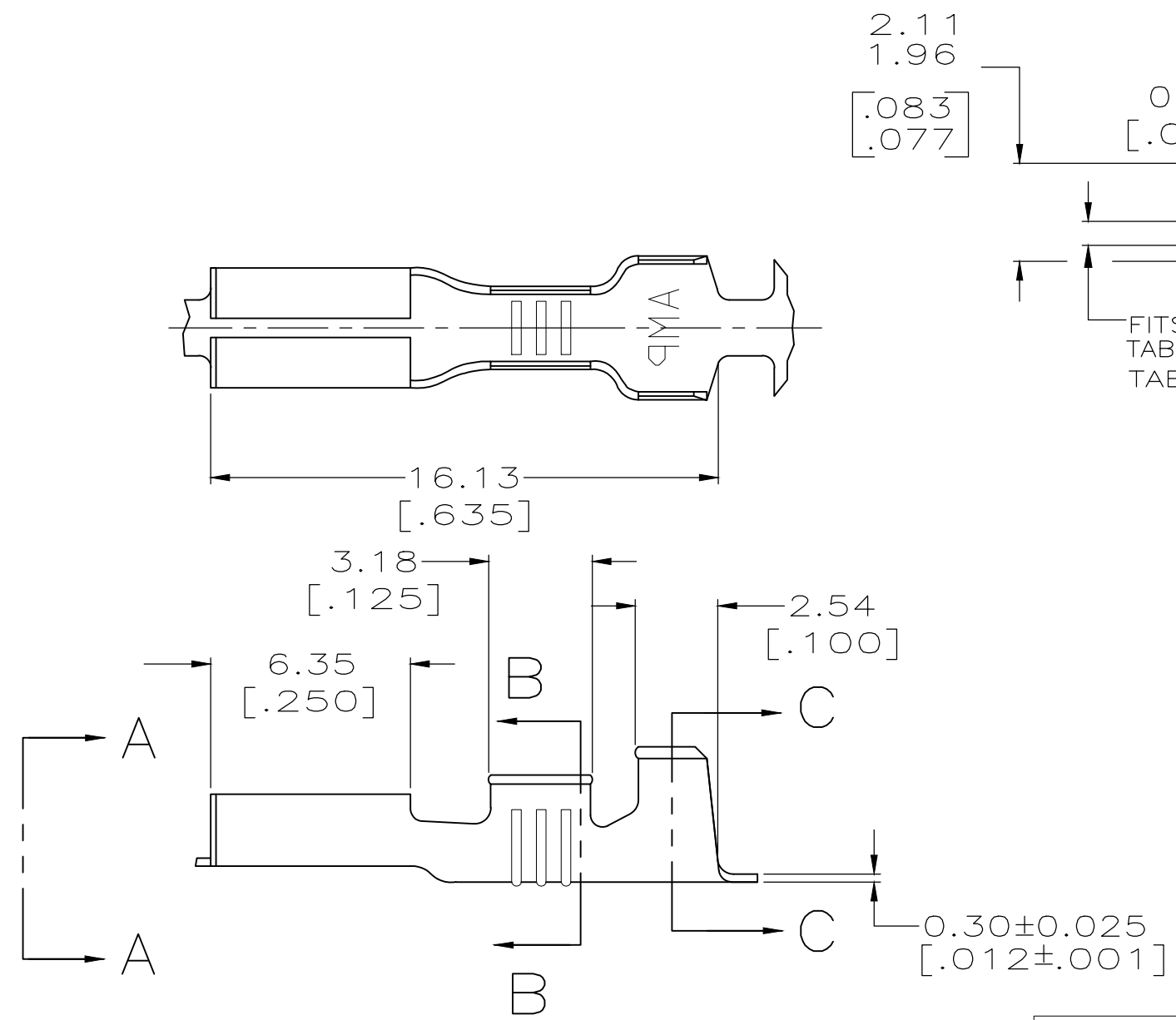


THIS DRAWING IS UNPUBLISHED. RELEASED FOR PUBLICATION
 © COPYRIGHT - By - ALL RIGHTS RESERVED.

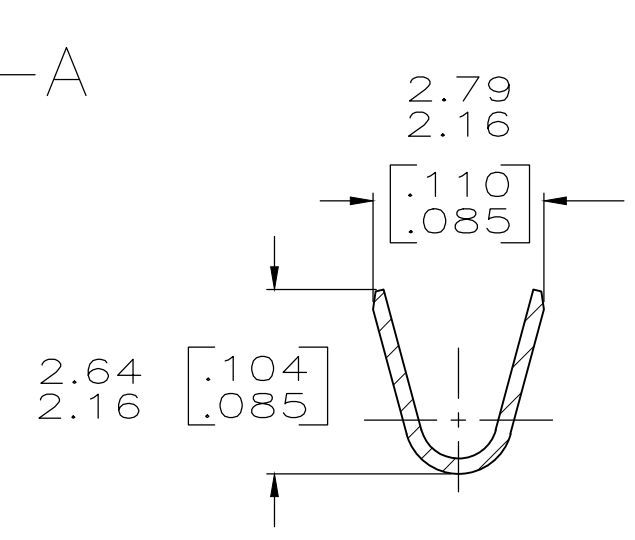
LOC	DIST	REVISIONS			
P	LTR	DESCRIPTION	DATE	DWN	APVD
AF	50	E1	REVISED PER ECR-19-018151	12NOV2020	AA EW

A1 CONTINUOUS STRIP ON REELS.

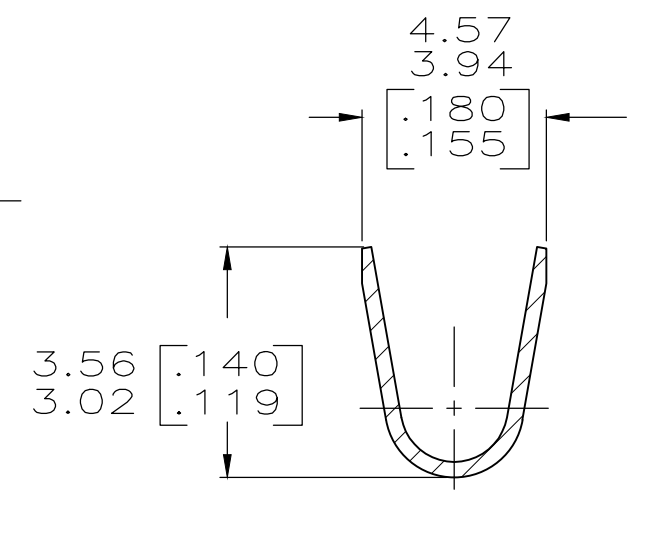


FITS 2.79 [.110] SERIES FASTON
 TAB, REFER TO CP-16000 FOR
 TAB DETAIL.

VIEW A-A



SECTION B-B



SECTION C-C

OBSOLETE	1.52-2.54 DIA	[#22-#18] AWG	0.81±0.025	62942-1
	[.060-.100] DIA		[.032±.001]	
	INSUL RANGE	WIRE SIZE	MATING TAB THICKNESS	PART NUMBER

OBSOLETE

THIS DRAWING IS A CONTROLLED DOCUMENT.		DWN	JR RUTH	6/14/95	TE Connectivity RECEPTACLE, FASTON, 2.79 [.110] SERIES					
DIMENSIONS: mm [INCHES]		CHK	MS FEHER	6/14/95				NAME		
TOLERANCES UNLESS OTHERWISE SPECIFIED:		APVD	P DESANTIS	6/14/95				SIZE		
0 PLC ± -		PRODUCT SPEC		CAGE CODE						
1 PLC ± -		APPLICATION SPEC		DRAWING NO			RESTRICTED TO			
2 PLC ± -		MATERIAL		WEIGHT						
3 PLC ± 0.38 [.015]		BRASS		-						
4 PLC ± -		FINISH		CUSTOMER DRAWING						
ANGLES ± -		TIN		SCALE 5:1			SHEET 1 OF 1			
				REV E1						