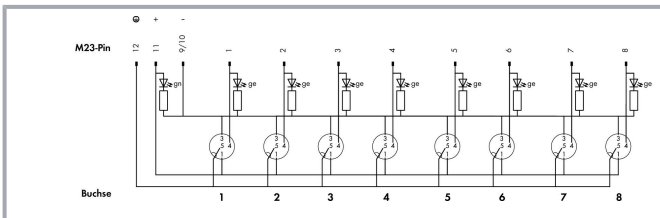
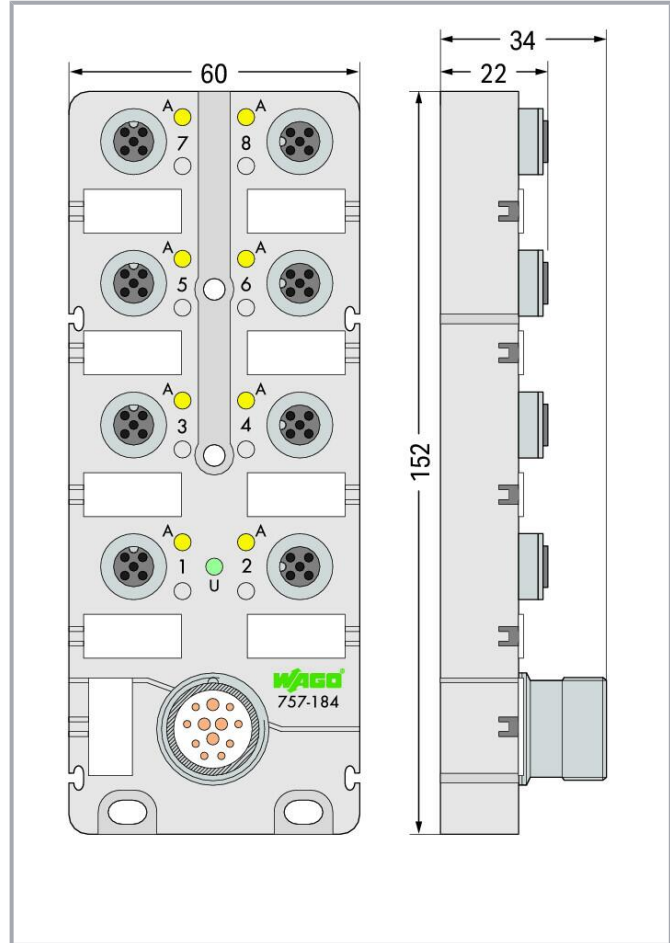
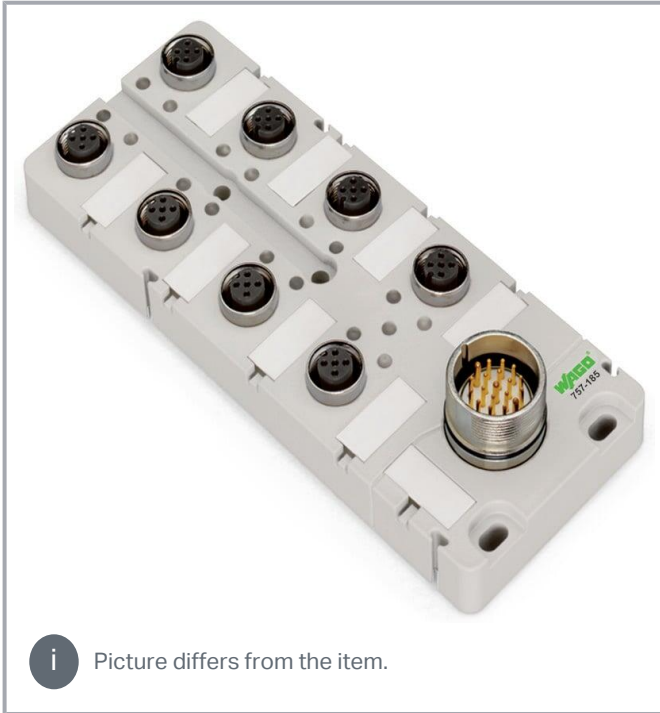


Data sheet | Item number: 757-184

M12 sensor/actuator box; 8-way; 4-pole; M23 connector

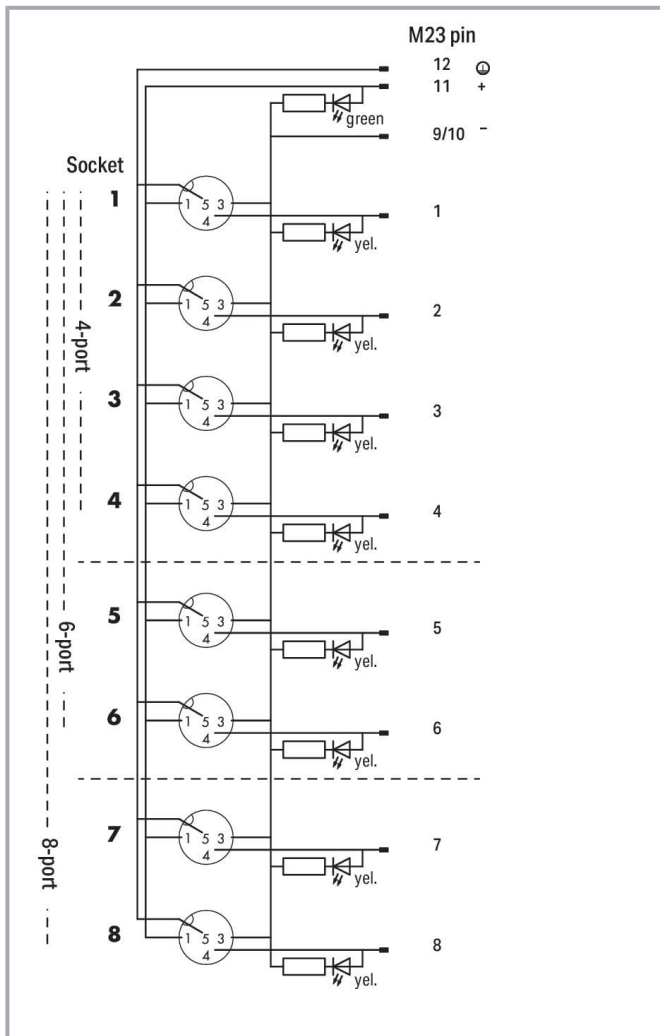
www.wago.com/757-184



Subject to changes. Please also observe the further product documentation!

WAGO GmbH & Co. KG
Hansastr. 27
32423 Minden
Phone: +49571 887-0 | Fax: +49571 887-169
Email: info.de@wago.com | Web: www.wago.com

Do you have any questions about our products?
We are always happy to take your call at +49 (571) 887-44222.



Item description

- M12 sensor/actuator box, 8-way
- 4-pole (1 signal per contact)
- M23 connector (12-pole)
- Green LED operating indicator
- Yellow LED status indicator
- incl. markers (10 pcs)
- incl. M12 protective caps (2 pcs)

Subject to changes. Please also observe the further product documentation!

WAGO GmbH & Co. KG
 Hansastr. 27
 32423 Minden
 Phone: +49571 887-0 | Fax: +49571 887-169
 Email: info.de@wago.com | Web: www.wago.com

Do you have any questions about our products?
 We are always happy to take your call at +49 (571) 887-44222.



Data

Technical data

Contact resistance (max.)	0.01 Ω
Supply voltage	10 ... 30 VDC; Rated voltage: 32 V ~ rms
Current carrying capacity (signal connections)	2 A
Current carrying capacity (supply connections)	9 A
Rated value of electrical isolation	500 V
Functionally separated potential groups	Kontakt/Kontakt
Insulation resistance	1000 M Ω
Signal characteristics	PNP
Indicators	LED (A) yellow: Signal status (1 x per contact); LED (U) green: Sensor /actuator box status

Connection data

Connection technology: inputs/outputs	8 x M12 socket; 4-pole; incl. ground
Connection technology: trunk cable	1 x M23 plug; 12-pole

Physical data

Width	60 mm / 2.362 inches
Height	34 mm / 1.339 inches
Depth	152 mm / 5.984 inches

Mechanical Data

Mounting type	Screw mounting
Weight	240 g

Material Data

Housing material	PA 66 (UL 94 V0); RAL 7035; silicon and halogen free
Material properties of the connections	Contact: CuSn, nickel base-coat plating and 0.8 μ m gold-plated; Threaded bush: die-cast Zn, nickel-plated; Seal: Viton; 50 mating cycles
Encapsulation	Fully encapsulated with conformal coating (UL 94 V0)

Environmental requirements

Ambient temperature (operation)	-25 ... +80 $^{\circ}$ C
---------------------------------	--------------------------

Subject to changes. Please also observe the further product documentation!



Protection type	IP67
Note on protection type	per EN 60529 (NEMA 6 & 6P) in fully locked position with its plugs or protective caps
Pollution degree	3 per VDE 0110
Vibration resistance	per IEC 60068-2-6
Shock resistance	per IEC 60068-2-27

Commercial data

Product Group	23 (I/O passive and accessories)
eCl@ss 10.0	27-44-01-11
eCl@ss 9.0	27-44-01-08
ETIM 8.0	EC003558
ETIM 7.0	EC002585
PU (SPU)	1 pcs
Packaging type	box
Country of origin	DE
GTIN	4050821054313
Customs tariff number	85366990990

Environmental Product Compliance

CAS-No.	7439-92-1
REACH Candidate List Substance	Lead
RoHS Compliance Status	Compliant, With Exemption
RoHS Exemption	6(c)
SCIP notification number (Austria)	57113334-c462-4e1e-b6d5-60bb3bafb959
SCIP notification number (Belgium)	f4f96668-6f09-483a-90c6-528ae1ba61f5
SCIP notification number (Bulgaria)	f41c8ed2-20bd-4c96-8e95-85c241dcf184
SCIP notification number (Czech Republic)	a533d49a-a102-48a6-aeb0-915bfb2d4635
SCIP notification number (Denmark)	5e33223e-bd9b-44b7-b60c-2c67a94dc85d
SCIP notification number (Finland)	358bdb95-e46a-4cf0-8676-cf3c9c104a8e
SCIP notification number (France)	41845d8b-bf7c-4d55-8d75-26b3e26a5860
SCIP notification number (Germany)	6c98dd7f-a8a1-402e-9320-84770dbbd1e7
SCIP notification number (Hungary)	970141e7-2b94-4fb1-8b21-7de14a8eb954
SCIP notification number (Italy)	de99d0ef-ad61-4430-9a5a-ea47750722f6
SCIP notification number (Netherlands)	4d51a996-e114-41a2-8c44-8496e2709a97
SCIP notification number (Poland)	363af7be-20a9-4b28-9e3f-082c479052c8
SCIP notification number (Romania)	c7852c80-fc9f-47ba-9710-5cd9b083e72b


Subject to changes. Please also observe the further product documentation!

WAGO GmbH & Co. KG
 Hansastr. 27
 32423 Minden
 Phone: +49571 887-0 | Fax: +49571 887-169
 Email: info.de@wago.com | Web: www.wago.com

Do you have any questions about our products?
 We are always happy to take your call at +49 (571) 887-44222.

Approvals / Certificates

General approvals

Logo	Approval	Additional Approval Text	Certificate name
	UL UL International Germany GmbH (ORDINARY LOCATIONS)	UL 508	E175199 Sec.5

Optional accessories

Mounting

Intermediate plate



Item no.: 757-080
 Spacer module for sensor/actuator box; 8-way

www.wago.com/757-080

Cables and pluggable connectors

Interconnecting cable



Item no.: 756-3202/120-150
 Connecting cable; 12-pole; Length: 15 m

www.wago.com/756-3202/120-150



Item no.: 756-3201/120-100
 Connecting cable; 12-pole; Length: 10 m

www.wago.com/756-3201/120-100



Item no.: 756-3201/120-150
 Connecting cable; 12-pole; Length: 15 m

www.wago.com/756-3201/120-150



Item no.: 756-3202/120-050
 Connecting cable; 12-pole; Length: 5 m

www.wago.com/756-3202/120-050



Item no.: 756-3202/120-100
 Connecting cable; 12-pole; Length: 10 m

www.wago.com/756-3202/120-100



Item no.: 756-3201/120-050
 Connecting cable; 12-pole; Length: 5 m

www.wago.com/756-3201/120-050

Cover

Subject to changes. Please also observe the further product documentation!

Cover

	Item no.: 756-8102 M12 protective cap; for unused sockets	www.wago.com/756-8102
---	---	--

Marking accessories

Marking strip

	Item no.: 757-011 Marker card; not stretchable; snap-on type	www.wago.com/757-011
--	--	--

Marking devices

	Item no.: 210-110 Fiber-tip pen	www.wago.com/210-110
---	---	--

Downloads

Documentation

Additional Information

Disposal and Recycling Electrical and electronic equipment, Batteries, Packaging	V 1.1.0 2022 Aug 18	pdf 2.2 MB	Download
---	------------------------	---------------	----------

System Description

Sensor/Actuator Boxes – General Product Information		pdf 438.6 kB	Download
---	--	-----------------	----------

CAD/CAE-Data

CAE data

ZUKEN Portal 757-184		URL	Download
----------------------	--	-----	----------

WSCAD Universe 757-184		URL	Download
------------------------	--	-----	----------

EPLAN Data Portal 757-184		URL	Download
---------------------------	--	-----	----------

CAD data

2D/3D Models 757-184		URL	Download
----------------------	--	-----	----------

Environmental Product Compliance

Compliance Search

Subject to changes. Please also observe the further product documentation!

Data sheet | Item number: 757-184

www.wago.com/757-184



[URL](#)

[Download](#)

Environmental Product Compliance 757-184

M12 sensor/actuator box; 8-way; 4-pole; M23 connector

Installation Notes

Subject to changes. Please also observe the further product documentation!

WAGO GmbH & Co. KG

Hansastr. 27

32423 Minden

Phone: +49571 887-0 | Fax: +49571 887-169

Email: info.de@wago.com | Web: www.wago.com

Do you have any questions about our products?

We are always happy to take your call at +49 (571) 887-44222.