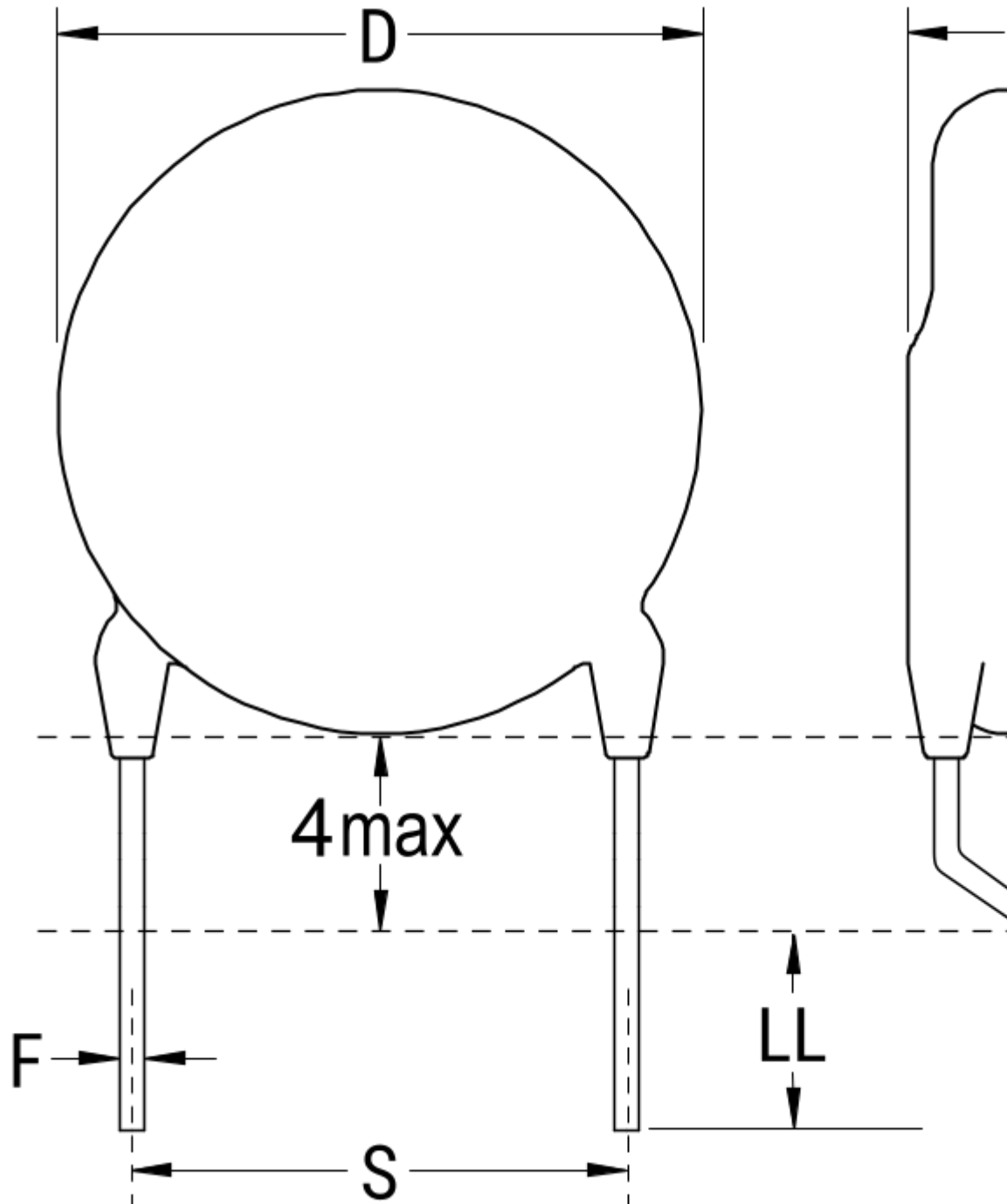


# C951U472MVVDBAWL35

Not for New Design

C900AH SFTY X1-400 Y1-400, Ceramic, 4700 pF, 20%, 400 VAC (X1), 400 VAC (Y1), Y5V, Lead Spacing = 10mm



Click [here](#) for the 3D model.

## Dimensions

D 12mm MAX

T 5.5mm MAX

### Dimensions

S 10mm +/-1mm  
LL 3.5mm +/-1mm  
F 0.55mm +/-0.1mm

### Packaging Specifications

Packaging Bulk, Bag  
Packaging Quantity 500

### General Information

Series C900AH SFTY X1-400 Y1-400  
Style Radial Disc  
RoHS Yes  
Termination Tin  
Failure Rate N/A  
Qualifications UL, ENEC, VDE, CSA, CAN  
AEC-Q200 No  
Halogen Free Yes  
Component Weight 1.5 g

### Specifications

Capacitance 4700 pF  
Capacitance Tolerance 20%  
Voltage AC 400 VAC (X1), 400 VAC (Y1)  
Dielectric Withstanding Voltage 4000 VDC  
Temperature Range -40/+125°C  
Temperature Coefficient Y5V  
Dissipation Factor 5%  
Insulation Resistance 10 GOhms  
Safety Class X1/Y1

Statements of suitability for certain applications are based on our knowledge of typical operating conditions for such applications, but are not intended to constitute - and we specifically disclaim - any warranty concerning suitability for a specific customer application or use. This Information is intended for use only by customers who have the requisite experience and capability to determine the correct products for their application. Any technical advice inferred from this Information or otherwise provided by us with reference to the use of our products is given gratis, and we assume no obligation or liability for the advice given or results obtained.

Generated 5/18/2023 - b47ead74-f59b-4ef0-a329-fe0b8ab618e5  
© 2006 - 2023 KEMET  
Generated 5/18/2023 - b47ead74-f59b-4ef0-a329-fe0b8ab618e5  
© 2006 - 2023 KEMET