

## SUMMARY

### # Wires

Low voltage	10
Fluidic	1

Series	2P
Termination type	Male crimp
IP rating	50
AWG wire size	0.00 - 0.00
Cable Ø	7.30 - 9.20 mm
Status	active

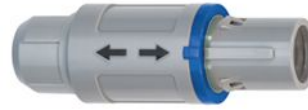


Image is for illustrative purpose only

### Download

[Request a quote](#)

[Catalog](#)

## TECHNICAL DETAILS

### Mechanics

Shell Style/Model	CA*: Straight plug with cable collet
Keying	3 keys (alpha=0, gamma=60; Plug: male contacts; Receptacle: female contacts)
Housing Material	PSU (Polysulfone), black
Weight	10.88 g

### Performance

Configuration	2P.015 : 1 Fluidic, 10 Low V.
Insulator	L: PEEK for solder contacts
Rated Current	5 Amps

### Specifications

Test voltage (kV rms) Contact-contact:	1.15
Air clearance min.:	0.9 mm
Creepage distance min.:	0.9 mm

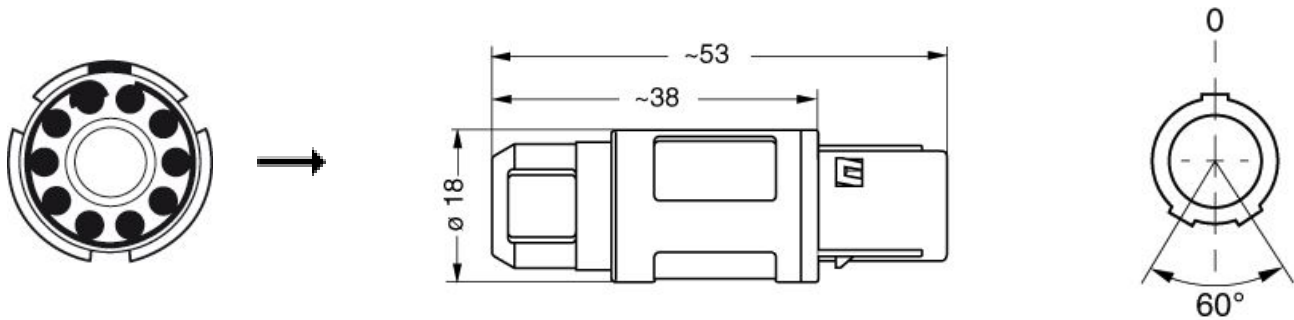
### Others

Endurance (Shell): >1000 mating cycles

LEMO products and services are provided "as is". LEMO makes no warranties or representations with regard to LEMO product & services or use of them, express, implied or statutory, including for accuracy, completeness, or security. The user is fully responsible for his products and applications using LEMO components.

---

## DRAWINGS



### Dimensions

	A	L
mm.	18	53
in.	0,71	2,09

---

## RECOMMENDED BY LEMO

### Tools

Crimp Tool:	<a href="#">DPC.91.701.V</a>
Crimp settings:	AWG/Selector = 22-24-26/6-5-5
Positionner:	<a href="#">DCE.91.072.BVC</a>
Extractor:	<a href="#">DCF.91.070.2LT</a>
Replacement contact:	FGG.2B.555.ZZC

### Cables

LEMO products and services are provided "as is". LEMO makes no warranties or representations with regard to LEMO product & services or use of them, express, implied or statutory, including for accuracy, completeness, or security. The user is fully responsible for his products and applications using LEMO components.