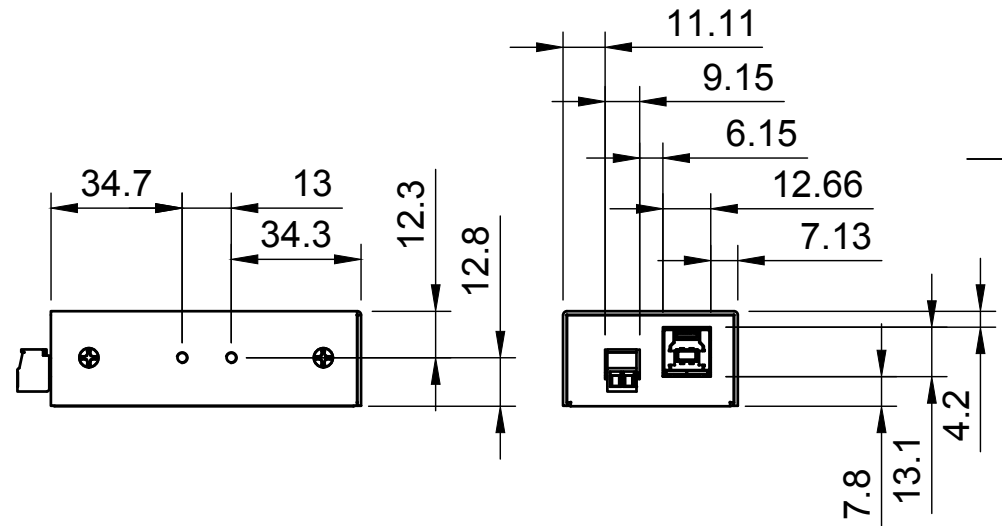
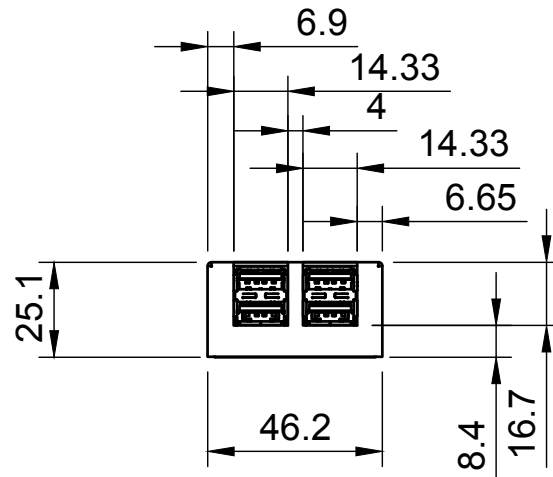
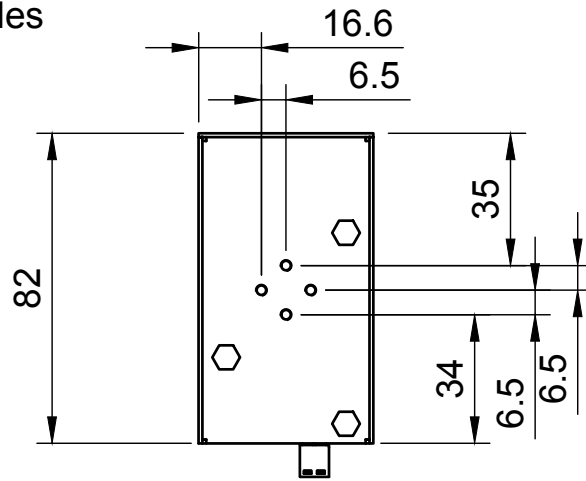

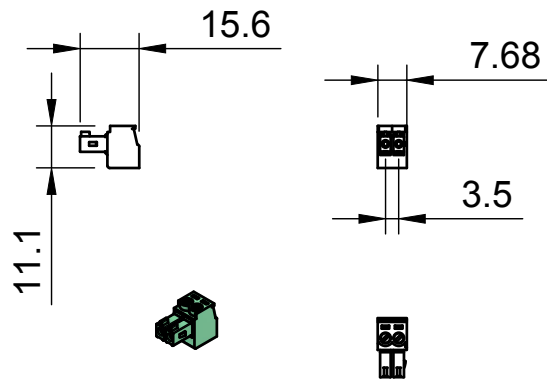


Basic Measurements
Mounting Holes
Port Detailed



		Model #:	
		CG-MIC4P31HVV	
Drawn by: Leo Pinto	Scale: 1:2	Units: mm	
Drawn Date: 5/13/21	Tolerance: +/- 0.15mm		
Notes:	Contact: support@coolgear.com		
	Web: coolgear.com		
	A4	1/2	

Accessories



Exploded View



Model #:
CG-MIC4P31HVV

Drawn by: Leo Pinto

Scale: 1:2 | Units: mm

Drawn Date: 5/13/21

Tolerance: +/- 0.15mm

Notes:

Contact: support@coolgear.com

Web: coolgear.com

A4

2/2