

NOTES:

1. MATERIALS & FINISHES:  
PHOSPHOR BRONZE, PER ASTM-B103, UNS C51900  
GOLD PLATING (.000030" MIN.)
2. CONTACTS TO BE SUPPLIED  
ON REELS (5,000 PCS./ REEL)
3. CONTACTS TO WOUND ON REEL IN DIRECTION AND POSITION SHOWN.

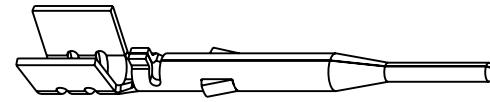
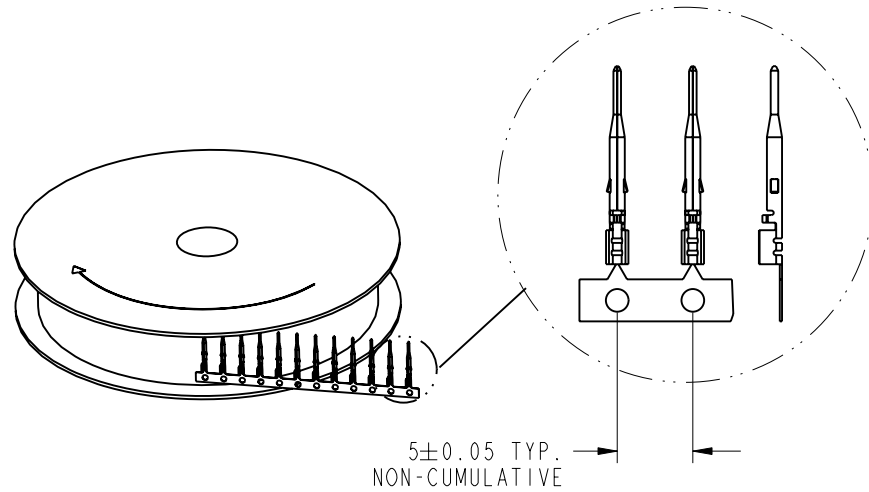
REMARKS:

1. GOLD PLATE 30 MIN. THICK OVER NICKEL PL. 100 MIN THICK OVER COPPER STRIKE
2. SELECTIVE GOLD PLATE TO COVER 3mm MIN. AS SHOWN

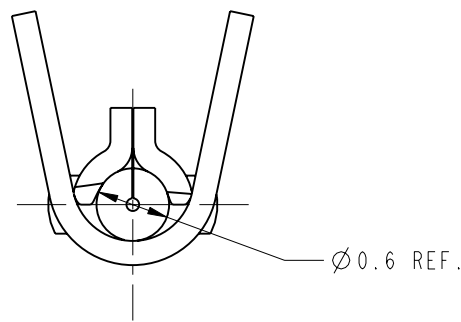
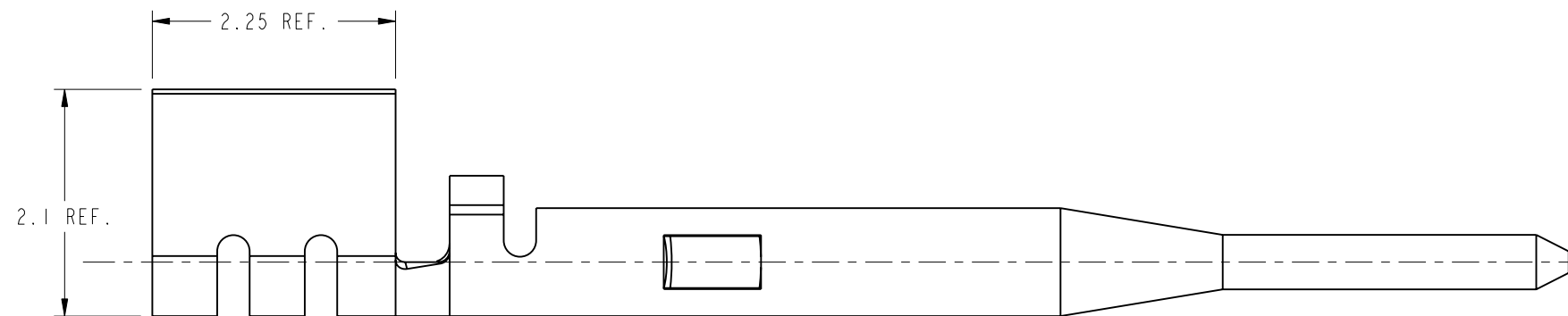
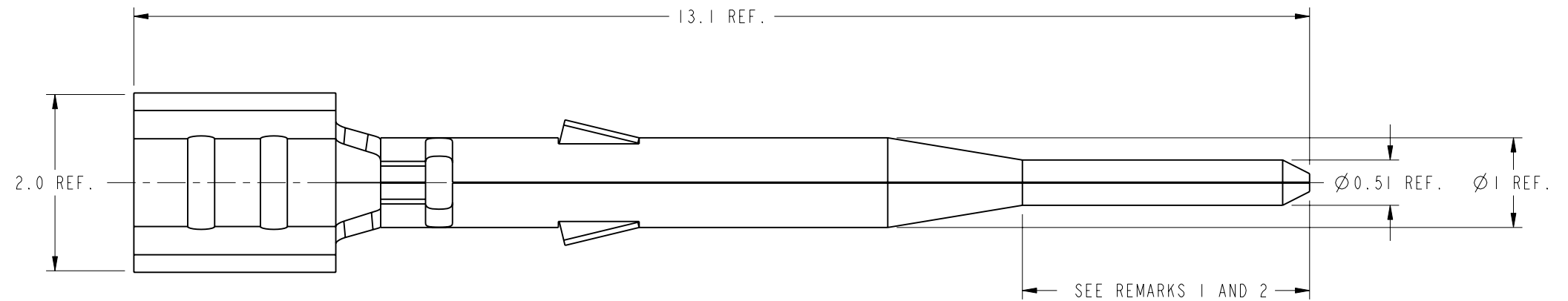
THIRD ANGLE PROJ.

REVISIONS

REV	DESCRIPTION	DATE	ECO	APPR
A	RELEASE TO MFG.	12-Mar-08	----	ET
B	ADD REEL INFORMATION AND REMARKS	22-Sep-08	47295	SB



SCALE 5.000



**CONFIGURATION CONTROL:**  
NO CHANGES PERMITTED TO DRAWING WITHOUT  
PPAP QUALIFIED CUSTOMER APPROVAL

**CUSTOMER OUTLINE DRAWING**  
ALL OTHER SHEETS ARE FOR INTERNAL USE ONLY

UNLESS OTHERWISE SPECIFIED, DIMENSIONS ARE IN METRIC AND TOLERANCES ARE: 0.5 - 6mm ±0.1mm    6 - 30mm ±0.2mm    30 - 120mm ±0.3mm    ANGLES ±1°	MATERIAL PHOSPHOR BRONZE PER ASTM-B103 UNS C51900 0.2MM THICK	DRAWN E.TANG	DATE 04-Feb-08	TITLE STAMPED AND FORMED FAKRA CONTACT (MALE)		Amphenol RF Danbury CT USA, Tainan, Taiwan, Shenzhen, China www.amphenolrf.com	
	REFERENCE FKCP03401A	ENGINEER J.YANG	DATE 04-Feb-08				
NOTICE - These drawings, specifications, or other data (1) are, and remain the property of Amphenol corp. (2) must be returned upon request; and (3) are confidential and not to be disclosed to any person other than those to whom they are given by Amphenol Corp. the furnishing of these drawings, specifications, or other data by Amphenol Corp., or to any other person to anyone for any purpose is not to be regarded by implication or otherwise in any manner licensing, granting rights to permitting such holder or any other sperson to manufacture, use or sell any product, process or design, patented or otherwise, that may in any way be related to or disclosed by said drawings, specifications, or other data.	FINISH PER KAI JACK SPEC.EP-SS-9700	APPROVED B.C GLEISSNER	DATE 09-Mar-08	SCALE: 16.0:1.0	SHEET 3 OF 3	ITEM NO. FKCP03402A	PART NO. FKCP03402
	CAD FILE I:\CONT\FKCP03402	DWG SIZE B	CODE ID 74868	REV B			