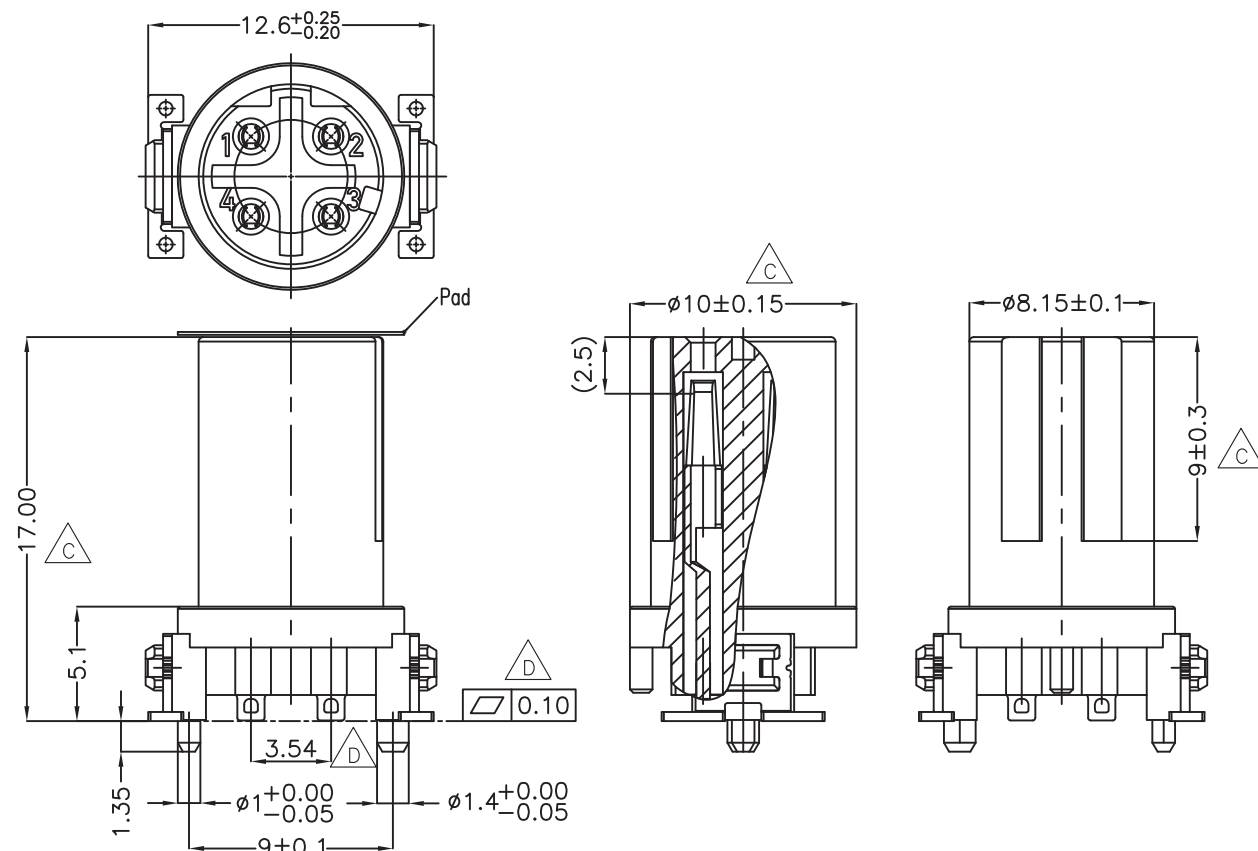
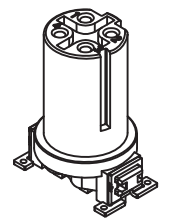


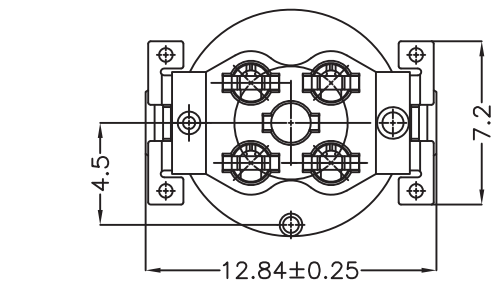
RoHS Compliant



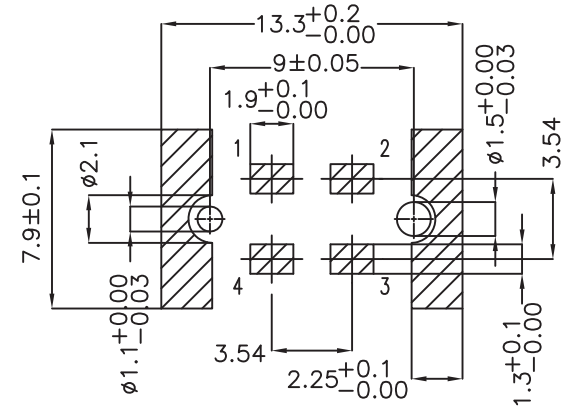
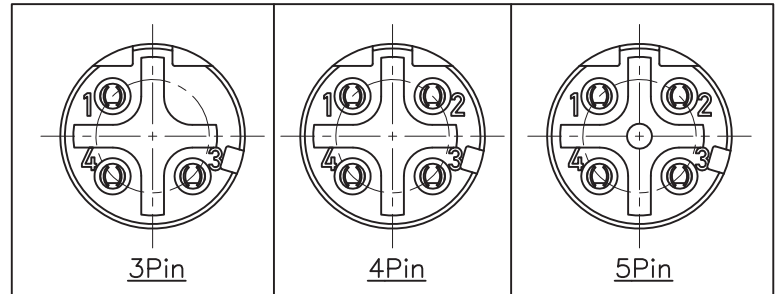
Specifications:  
 Current rating: 4A AC,DC  
 Voltage rating: 250V AC,DC  
 Contact resistance: 10m ohm.Max  
 Insulation resistance: 100M ohm.Min  
 Withstanding Voltage:500V AC/Minute  
 Operating temperature range:-40C~85C  
 Mechanical:  
 Durrability:200 Cycles  
 Material and Finish  
 Insulator:High Temp. Plastic(LCP UL94V-0)  
 Insulator Color:Black  
 Contacts: Phosphor Bronze  
 Plated:  
 Terminal: Nickel under 80~120U\*, Gold Plated 30U\*  
 Metal Tab: Copper Alloy,Nickle under 40~80U\*, Matte Tin  
 Plated 160~240U\*



How To Order:  
**M12-XXSDSMXX-TR**  
 Tape & Reel  
 Blank:Selective Gold Plated 1u”  
 30:Selective Gold Plated 30u”  
 D Coding  
 S:Socket  
 No. of Contacts  
 M12 Series



Pin Assignments Front View



PCB - Layout

F				DRAWN:	GENERAL TOLERANCE:	 ON-SHORE TECHNOLOGY, INC.	DESCRIPTION: Federleiste M12 D Cod. 4polig 17mm Type SMD
E	08-Nov-2019	△E modify part number	Andrew	Pingchia	.X±±0.2 .XX±±0.15		
D	16-May-2018	△ add 3.54; 0.10 delete:0.03+0.07/-0.015	Andrew	CHECKED:	UNIT: MM	PART NO: M12-XXSDSMXX-TR	
C	16-Apr-2018	△ amend tolerance ect. 30m ohm-10m ohm ect.	Andrew		SCALE:1:1		
B	03-Apr-2018	△ add:Durrability 200 Cycles	Andrew	APPROVAL:	SHEET: 1 / 1	PROJECTION:	
A	14-Dec-2017	(P0001)	Pingchia	Mike Wu			
REV	DATE	FILE	BY				