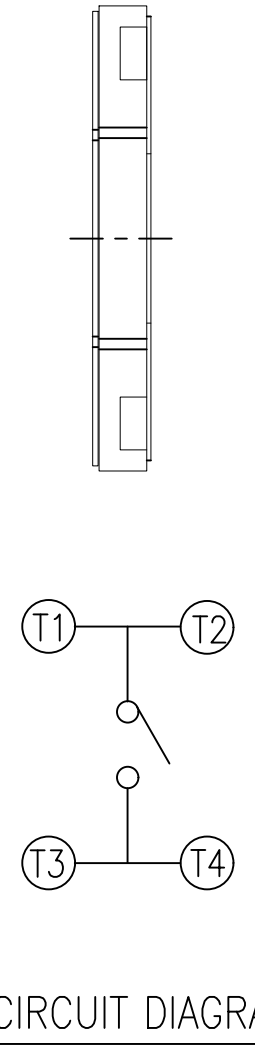
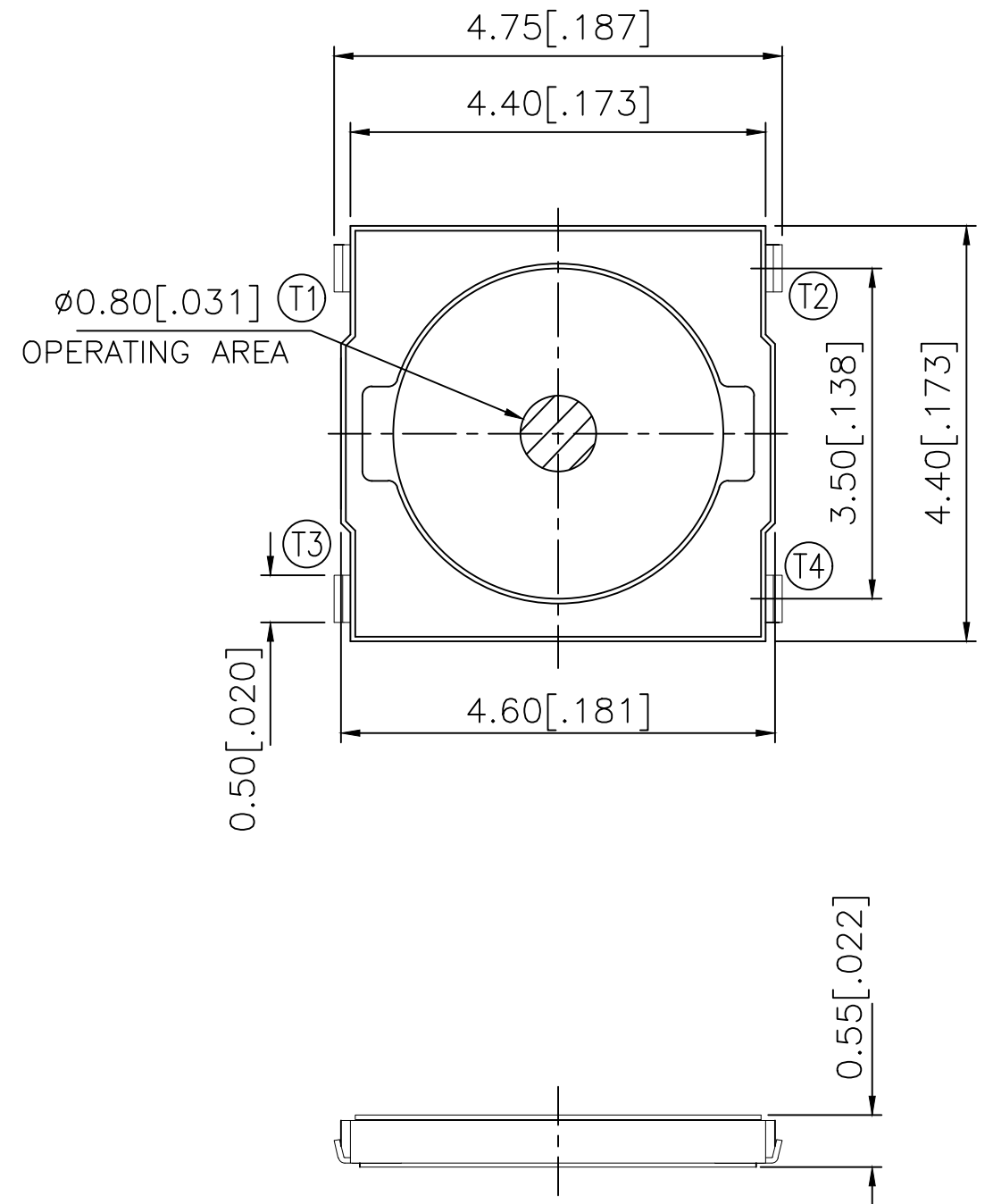
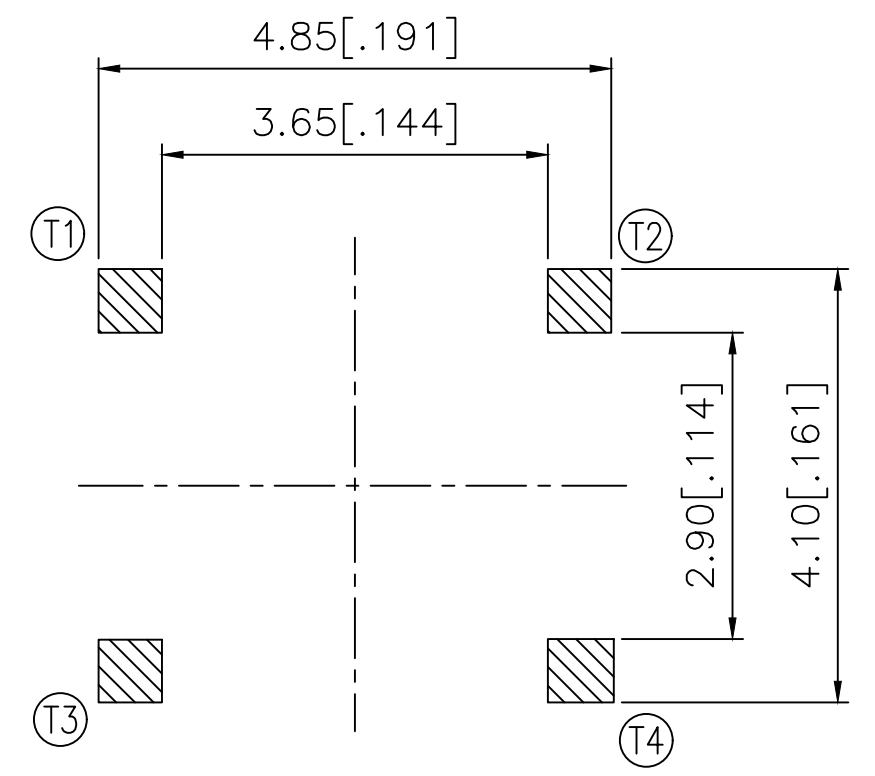


THIS DRAWING IS UNPUBLISHED. RELEASED FOR PUBLICATION  
 © COPYRIGHT - TE Connectivity Ltd. ALL RIGHTS RESERVED.

REVISIONS					
P	LTR	DESCRIPTION	DATE	DWN	APVD
	B	REVISED PER ECR-19-004770	10APR2019	SR	DD



CIRCUIT DIAGRAM



P.C.B. LAYOUT

260±50	MCSLPT4644B4TR	2337234-4
200±50	MCSLPT4644B3TR	2337234-3
160±50	MCSLPT4644B2TR	2337234-2
100±50	MCSLPT4644B1TR	2337234-1
ACTUATION FORCE (gf)	SMART PART NUMBER	PART NUMBER

THIS DRAWING IS A CONTROLLED DOCUMENT.		DWN	GANESH C M 04JUL2018		TE Connectivity Ltd. NAME SWITCH, TACTILE, LOW-PROFILE, MICRO-MINI, 4.6 x 4.4 x 0.55, J BEND
DIMENSIONS: mm [INCHES]		CHK	ALEXANDER SHARPE 03JUL2018		
TOLERANCES UNLESS OTHERWISE SPECIFIED:		APVD	ALEXANDER SHARPE 04JUL2018		
0 PLC ± - 1 PLC ± - 2 PLC ± 0.2 [.008] 3 PLC ± - 4 PLC ± - ANGLES ± -		PRODUCT SPEC	-		
MATERIAL		FINISH	-		APPLICATION SPEC
-		-		WEIGHT	SIZE
-		-		A3 00779	
-		-		C-2337234	
-		-		RESTRICTED TO	
-		-		-	
-		-		SCALE	
-		-		NTS	
-		-		SHEET	
-		-		1 OF 3	
-		-		REV	
-		-		B	

THIS DRAWING IS UNPUBLISHED.

RELEASED FOR PUBLICATION

© COPYRIGHT - TE Connectivity Ltd.

ALL RIGHTS RESERVED.

REVISIONS

P	LTR	DESCRIPTION	DATE	DWN	APVD
-	-	SEE SHEET 1	-	-	-

NOTES:

1. MATERIALS:

TERMINAL: COPPER ALLOY, SILVER FINISH  
 BASE: THERMOPLASTIC, UL 94V-0, BLACK  
 TAPE: POLYIMIDE  
 CONTACT: STAINLESS STEEL, SILVER FINISH

2. COMPLIANCE:

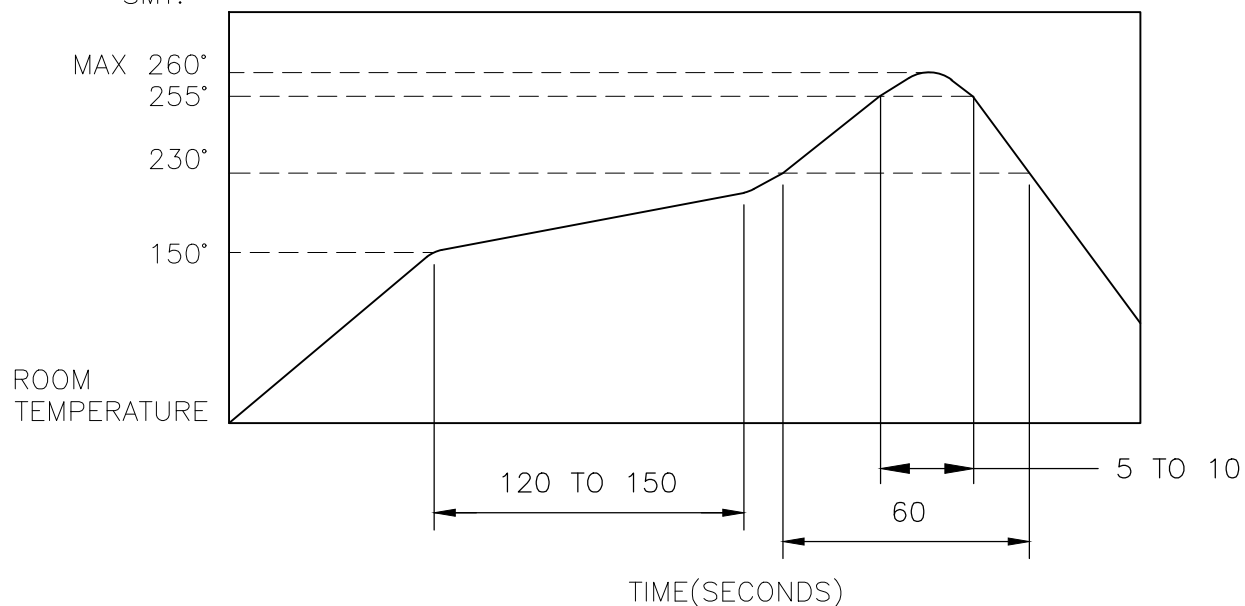
ALL MATERIALS AND FINISHES SHALL COMPLY WITH EU  
 DIRECTIVE 2002/95/EC OF 27JAN2003(RoHS)

3. SPECIFICATIONS:

RATING: 50 mA, 12V DC  
 CONTACT RESISTANCE: 100mΩ MAXIMUM (INITIAL)  
 INSULATION RESISTANCE: 100MΩ MINIMUM (INITIAL)  
 DIELECTRIC STRENGTH: 300V AC, 1 MINUTE  
 OPERATING LIFE: 2337234-1 (100gf) = 1,000,000 CYCLES WITH LOAD  
 2337234-2 (160gf) = 1,000,000 CYCLES WITH LOAD  
 2337234-3 (200gf) = 500,000 CYCLES WITH LOAD  
 2337234-4 (260gf) = 500,000 CYCLES WITH LOAD  
 TRAVEL: 0.2±0.1 [.008±.004]  
 ACTUATION FORCE: 2337234-1 = 100±50gf  
 2337234-2 = 160±50gf  
 2337234-3 = 200±50gf  
 2337234-4 = 260±50gf  
 OPERATING TEMPERATURE: -20° TO 70°C  
 STORAGE TEMPERATURE: -30° TO 80°C

4. SOLDER CONDITIONS:

SMT:



THE CONDITON NOTED ABOVE IS THE TEMPERATURE OF THE COPPER FOIL ON THE SURFACE OF THE PCB. THERE ARE CASES WHERE THE TEMPERATURE OF THE BOARD GREATLY DIFFERS FROM THE SURFACE OF THE SWITCH. DO NOT ALLOW THE SURFACE TEMPERATURE OF THE SWITCH TO EXCEED 260°C.

MANUAL SOLDERING:

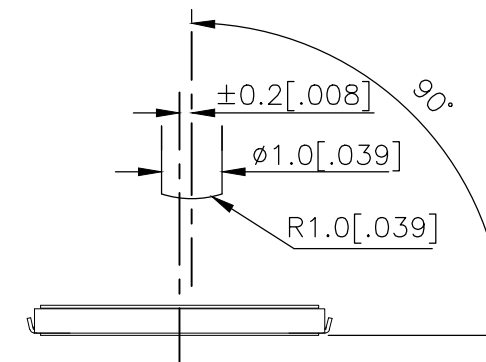
SOLDERING TEMPERATURE	350°C MAXIMUM
CONTINUOUS SOLDERING TIME	5 SECONDS MAXIMUM

HANDLING PRECAUTIONS:

1. CARE SHOULD BE EXERCISED SO THAT FLUX FROM THE TOP SURFACE OF THE PRINTED CIRCUIT BOARD DOES NOT ADHERE TO THE SWITCH.
2. DO NOT WASH THE SWITCH

5. OPERATING PRECAUTIONS:

1. DO NOT ACTUATE THE SWITCH WITH EXCESSIVE FORCE
2. DISCONTINUE FORCE AFTER THE SWITCH HAS BEEN ACTUATED SO AS TO AVOID DEFORMATION OF THE COMPONENTS OF THE SWITCH. DEFORMATION OF THE COMPONENTS MAY CAUSE THE SWITCH TO MALFUNCTION.
3. ALIGN THE PLUNGER WITH THE SWITCH TO INSURE PROPER OPERATION



RECOMMENDED OPERATING CONDITIONS

THIS DRAWING IS A CONTROLLED DOCUMENT.		DWN	04JUL2018		 TE Connectivity Ltd.
		CHK	04JUL2018		
		APVD	04JUL2018		
		NAME	ALEXANDER SHARPE		
DIMENSIONS: mm [INCHES]		TOLERANCES UNLESS OTHERWISE SPECIFIED:		NAME	
		0 PLC ± -		SWITCH, TACTILE, LOW-PROFILE, MICRO-MINI,	
		1 PLC ± -		4.6 x 4.4 x 0.55, J BEND	
		2 PLC ± 0.2 [.008]		-	
		3 PLC ± -		APPLICATION SPEC	
		4 PLC ± -		-	
		ANGLES ± -		SIZE	
MATERIAL		FINISH		CAGE CODE	
-		-		DRAWING NO	
				RESTRICTED TO	
				A3 00779 C-2337234	
		CUSTOMER DRAWING		SCALE	
				NTS	
				SHEET	
				2 OF 3	
				REV	
				B	

THIS DRAWING IS UNPUBLISHED.

RELEASED FOR PUBLICATION

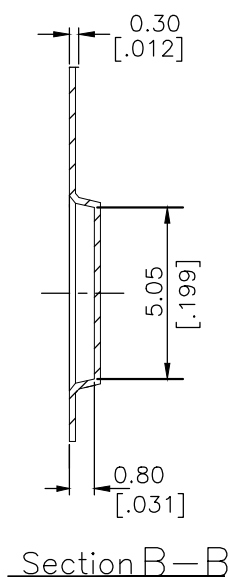
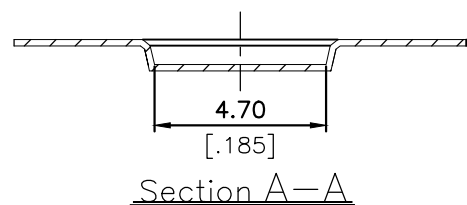
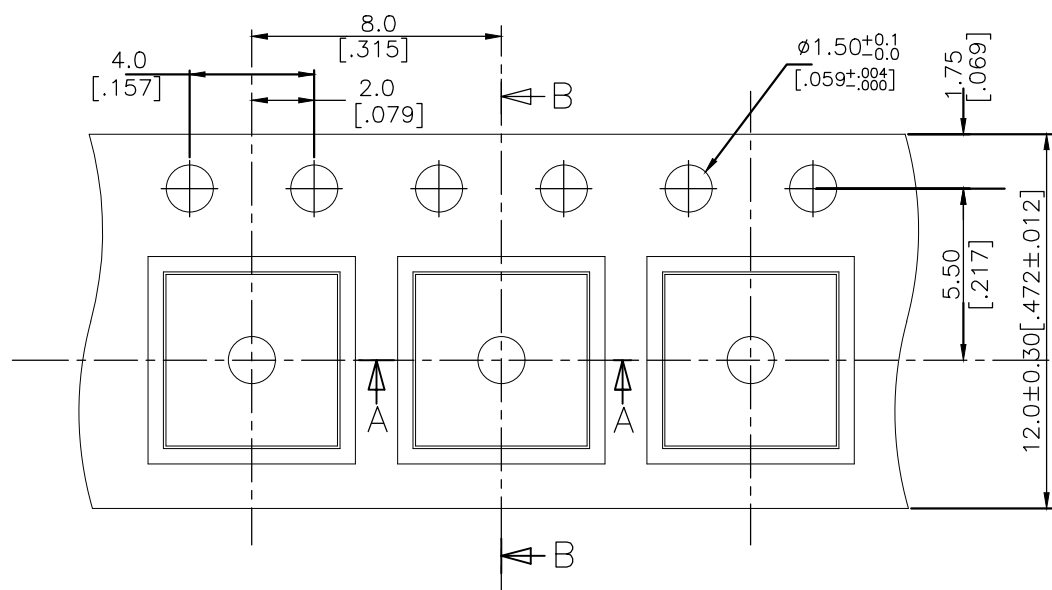
REVISIONS

© COPYRIGHT - TE Connectivity Ltd.

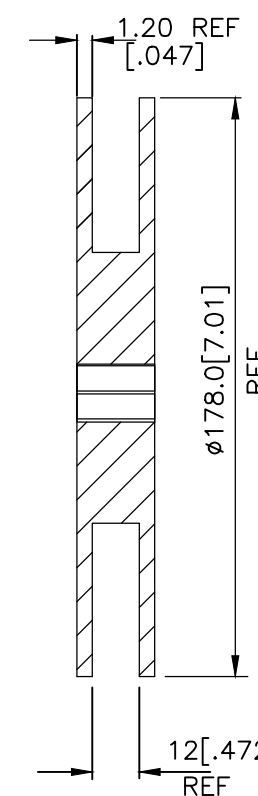
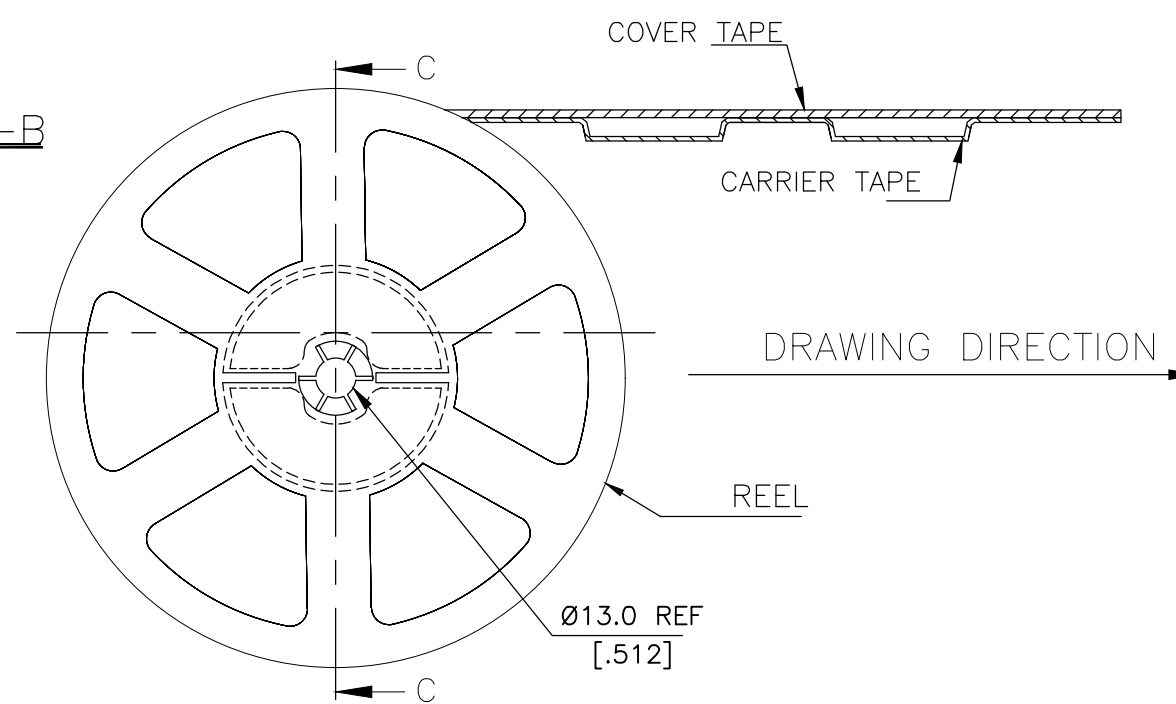
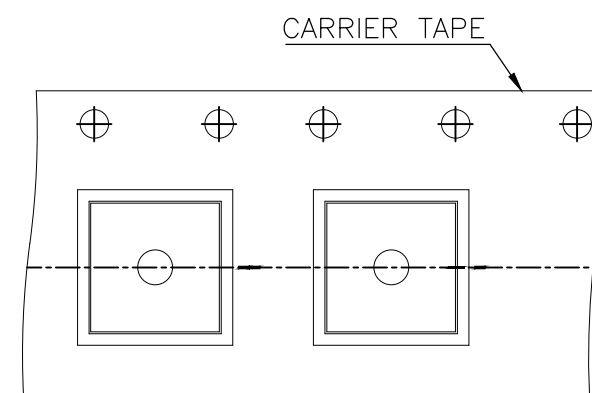
ALL RIGHTS RESERVED.

P	LTR	DESCRIPTION	DATE	DWN	APVD
-	-	SEE SHEET 1	-	-	-

THE DIMENSIONS OF CARRIER TAPE AND REEL



ORIENTATION OF PILOT HOLES



6. PACKAGING:

1. THE TAPE AND REEL ARE SHOWN FOR CUSTOMER APPLICATION REFERENCE. PACKAGING NOTES 3 AND 4 ARE REQUIRED BUT NOT ILLUSTRATED.
2. 2,500 SWITCHES PER REEL.
3. THE REEL, DESICCANT POUCH AND HUMIDITY CARD ARE SEALED IN A MOISTURE BARRIER BAG PER THE CURRENT REVISION OF IPC/JEDEC J-STD-033, MSL 2A REQUIREMENTS.
4. THE MOISTURE BARRIER BAG IS LABELED PER THE CURRENT REVISION OF IPC/JEDEC J-STD-033, MSL 2A REQUIREMENTS.

THIS DRAWING IS A CONTROLLED DOCUMENT.		DWN GANESH C M 04JUL2018	TE Connectivity Ltd.														
DIMENSIONS: mm [INCHES]		CHK ALEXANDER SHARPE 04JUL2018				NAME SWITCH, TACTILE, LOW-PROFILE, MICRO-MINI, 4.6 x 4.4 x 0.55, J BEND											
TOLERANCES UNLESS OTHERWISE SPECIFIED:		APVD ALEXANDER SHARPE 04JUL2018	PRODUCT SPEC														
<table border="0"> <tr><td>0 PLC</td><td>± -</td></tr> <tr><td>1 PLC</td><td>± -</td></tr> <tr><td>2 PLC</td><td>± 0.2 [.008]</td></tr> <tr><td>3 PLC</td><td>± -</td></tr> <tr><td>4 PLC</td><td>± -</td></tr> <tr><td>ANGLES</td><td>± -</td></tr> </table>		0 PLC	± -	1 PLC	± -	2 PLC	± 0.2 [.008]	3 PLC	± -	4 PLC	± -	ANGLES	± -	APPLICATION SPEC		SIZE A3	CAGE CODE 00779
0 PLC	± -																
1 PLC	± -																
2 PLC	± 0.2 [.008]																
3 PLC	± -																
4 PLC	± -																
ANGLES	± -																
MATERIAL -		FINISH -		DRAWING NO C-2337234													
		WEIGHT		RESTRICTED TO -													
CUSTOMER DRAWING			SCALE NTS	SHEET 3 OF 3	REV B												