

6

5

4

3

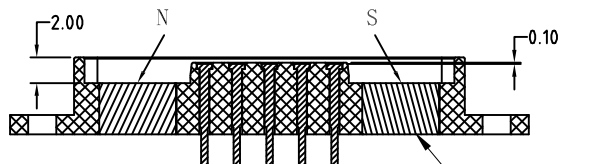
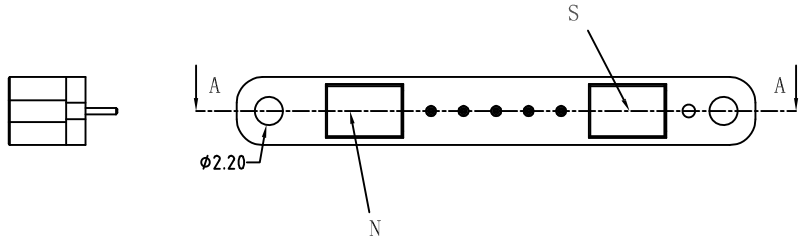
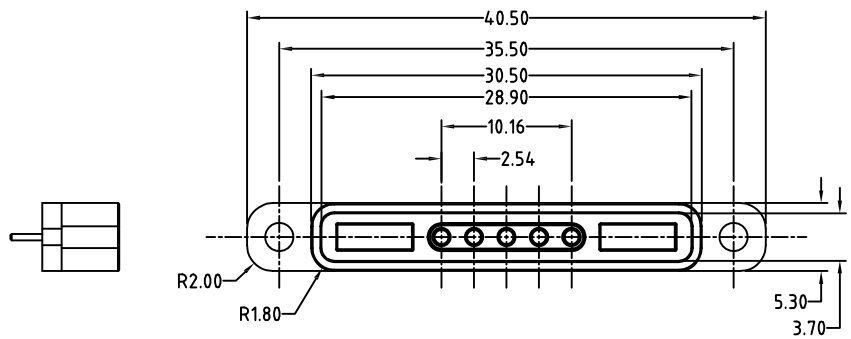
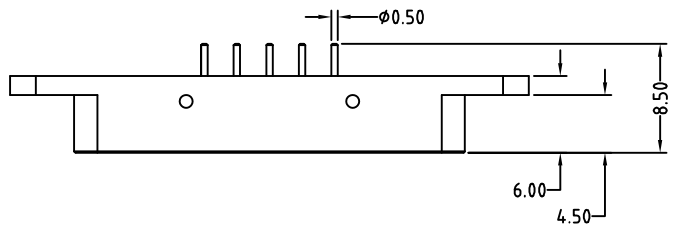
2

1

APPROVED: _____

DATE: _____ TITLE: _____

Rev	AWO #	Description	Date	Appr
-		RELEASED	11/15/18	



SECTION A-A

Magnet fixed with glue
Holding force 2000g

SPECIFICATIONS:

- Material:
- Insulator: HTN, rated UL 94V-0
- Insulator color: Black
- Contact: Pogo pin, 5u" Gold plated
- Magnet: N52 NdFeB, Ni-Cu-Ni plated
- Electrical:
- Rating Current & Voltage rating: 12VDC, 3A
- Contact resistance: 50 mohms max
- Environmental:
- Lead free, RoHS compliant.



UNLESS OTHERWISE SPECIFIED ALL DIMENSIONS ARE MILLIMETERS TOLERANCES: EXCEPT AS NOTED		ADAM TECH 909 Rahway Avenue, Union, NJ 07083 Phone: 908-687-5000 Fax: 908-687-5710	
MM		INTERCONNECTS	
0~6 ± 0.10	ANGLE	TITLE 2.54MM PITCH POGO PIN, FEMALE, 5P	
6~30 ± 0.20	±2'	SINGLE ROW, MAGNET, STRAIGHT	
30~150 ± 0.30		SIZE X	PART NO. PH1-3L-05-FVMP-4560
APPROVALS		REV. -	
DRAWN	HR	DATE	11/15/18
CHECKED	AC	DATE	11/15/18
APPROVED		REF: S00170C	SCALE: NTS
		SHEET 1 OF 1	

6

5

4

3

2

1