



Pushing Performance

HARTING Product Change Notification

PCN

Business Unit: Electric

PCN/20/024/C+N

Product range: Han / Han-Modular

Date: 2020-12-07

Author: Heinz-Guenter Spreen

Title: Han-Modular Shielding Frame 24B - External.docx

Details of Product Changes

1. Concerned part number (see also attachment):

09000005211
09000005211XL

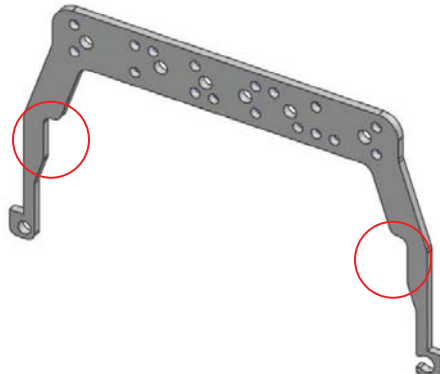
2. Description of changes / news:

The Han-Modular® shielding frame size 24B will get two additional gaps on both sides as shown on the following drawing:

Current Shielding Frame



New Shielding Frame



These two additional gaps improve the handling and termination of modules for bigger wires at the outer positions of the Han-Modular® Hinged Frames size 24 B.

3. Impact on product specification:

No impact on product specification.

4. Scheduled date of implementation:

January 2021

5. Identification of change:

	Current revision level	New revision level
09150005211	3	4
09000005211XL	0	1