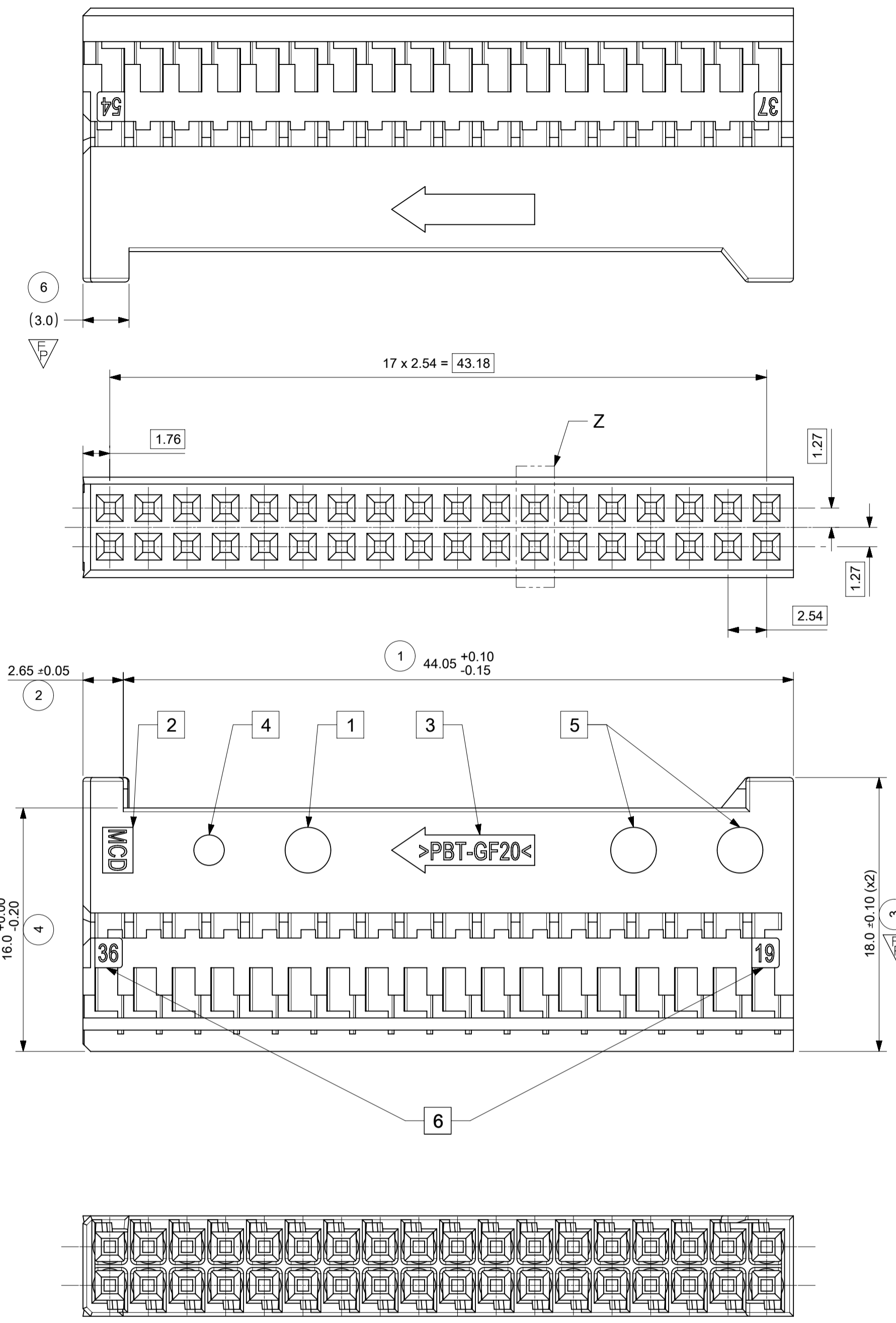
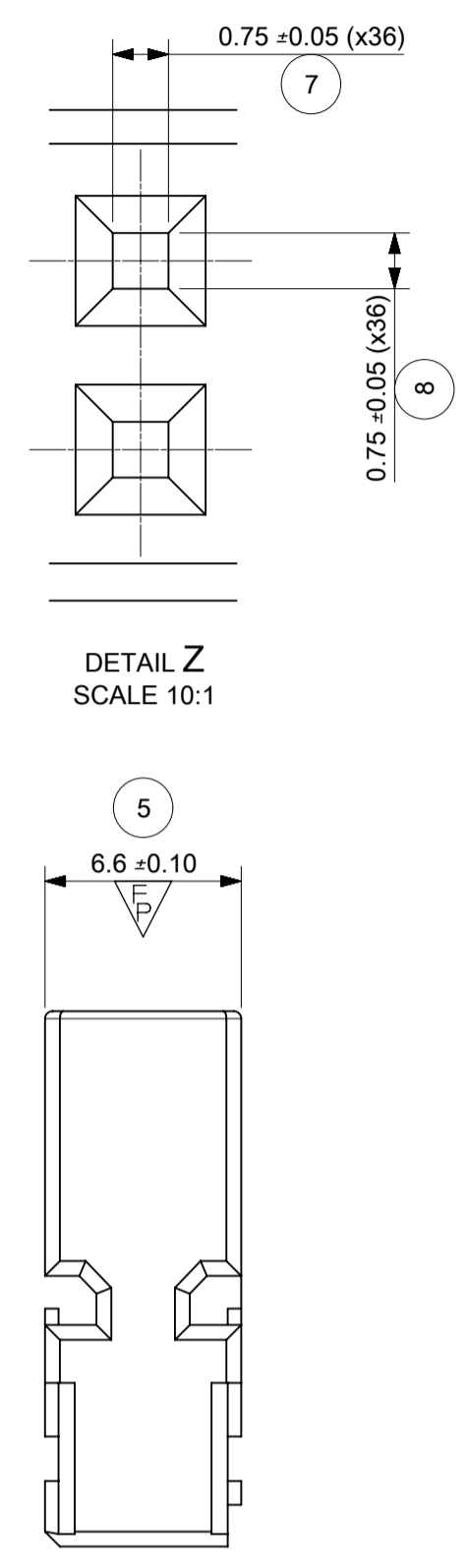


CODING

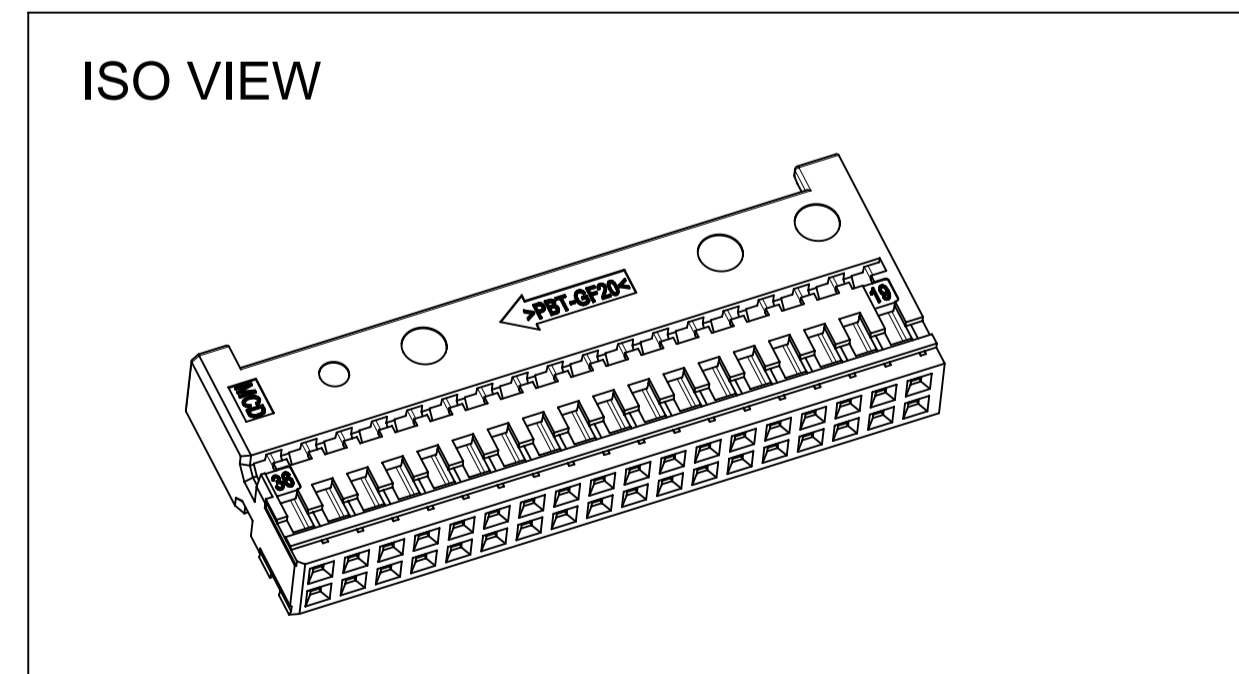
REPRESENTED ITEM:
GREEN CODING



MODIFICATIONS			
REV.	DESCRIPTIONS	NAME	DATE
A	-DOCUMENT FIRST RELEASE	GD	2017/02/10
A1	-DOCUMENT REDRAWN ON NX CADSYSTEM -MSQ TERMINALS SUPERSEDED BY MOX TERMINALS -ADD REFERENCES FOR AS AND TS DOCUMENTS -ADD TOLERANCES ON DIMENSIONS	JBM	2019/12/12

COMPONENT COMPATIBILITY TABLE				
DESCRIPTION	54CKT FEMALE CONNECTOR			
	PART NUMBER	98982 5011	98982 5012	98982 5019
MOX RCPT MODULE 36CKT	098982 5065	GREEN	X	X
	098982 5066	BLUE	X	X
PBT-GF20				
MATERIAL				

- MARKINGS:**
- 1 - MOLD REVISION LEVEL
 - 2 - SUPPLIER PLANT PROD.
 - 3 - MATERIAL
 - 4 - MOLD CAVITY NUMBER
 - 5 - DATUM YEAR AND MONTH
 - 6 - CAVITIES IDENTIFICATION



NOTES:

- 1 - PRODUCT WEIGHT: 2.9 GRAMS
- 2 - PACKAGING FOLLOWING: PK-98982-002
- 3 - APPLICATION SPECIFICATION: 989820002-AS
- 4 - TEST SUMMARY: 989823462-TS
- 5 - USE TERMINALS: MOX (98658)
- 6 - MATES IN FEMALE CONNECTOR: SEE COMPONENT COMPATIBILITY TABLE

SYMBOLS THIS DRAWING CONTAINS INFORMATION THAT IS PROPRIETARY TO MOLEX ELECTRONIC TECHNOLOGIES, LLC AND SHOULD NOT BE USED WITHOUT WRITTEN PERMISSION DIMENSION UNITS: mm SCALE: 4:1 GENERAL TOLERANCES (UNLESS SPECIFIED): ANGULAR TOL: ± ° 0 PLACES ± 3 PLACES ± 2 PLACES ± 1 PLACE ± 0 PLACES ± DRAFT WHERE APPLICABLE MUST REMAIN WITHIN DIMENSIONS	CURRENT REV DESC: MQS TERMINALS SUPERSEDED BY MOX TERMINALS. ADD TOLERANCES ON EACH DIMENSIONS. EC NO: 628064 DRWN: GDESBRUERES 2019/11/13 CHK'D: JBMAZGA 2019/11/27 APPR: CBOUCHAN 2019/12/20 INITIAL REVISION: DRWN: GDESBRUERES 2017/02/10 APPR: SLAFAURE 2017/03/14	
	PRODUCT CUSTOMER DRAWING DOCUMENT NUMBER: SD-98982-004 DOC TYPE: PSD DOC PART: 001 REVISION: A1	MATERIAL NUMBER: SEE CODING TABLE CUSTOMER: GENERAL MARKET SHEET NUMBER: 1 OF 1