

- NOTES:
1. MATERIAL: AS NOTED
 2. FINISH: AS NOTED
 3. ELECTRICAL:
VOLTAGE: 250VDC
CURRENT: 4A
 4. TEMP RATING: -20° TO +105°C (A)
 5. PROTECTION: IP67 (WHEN MATED)
 6. COUPLING THREAD:
FEMALE: M12 X 1 INTERNAL THD.
MALE: M12 X 1 EXTERNAL THD.
 7. UL LISTED FILE: E152210 (A)
CSA CERTIFIED FILE: LR6837
 8. ALL DIMENSIONS ARE FOR REFERENCE UNLESS TOLERANCED OR NOTED OTHERWISE

MECHANICAL CHARACTERISTICS: (A)

TORSIONAL FLEX TEST	10 MILLION CYCLES PER MIL-C-13777G
BEND FLEX TEST	10 MILLION CYCLES PER MIL-C-13777G
WELD SLAG RESISTANCE	WOODHEAD STANDARD S-300

9	LABEL	VINYL	BLACK/YELLOW
8	O-RING	VITON	RED
7	COUPLER	NICKEL-BRASS	TEFLON COATED
6	SOCKET CONTACT	COPPER ALLOY	GOLD OVER NICKEL
5	FEMALE INSERT	PUR	BLACK
4	PIN CONTACT	COPPER ALLOY	GOLD OVER NICKEL
3	MALE INSERT	PUR	BLACK
2	OVERMOLD	TPC	YELLOW
1	CABLE #18-4	TPE JACKET	YELLOW
ITEM	DESCRIPTION	MATERIAL	FINISH

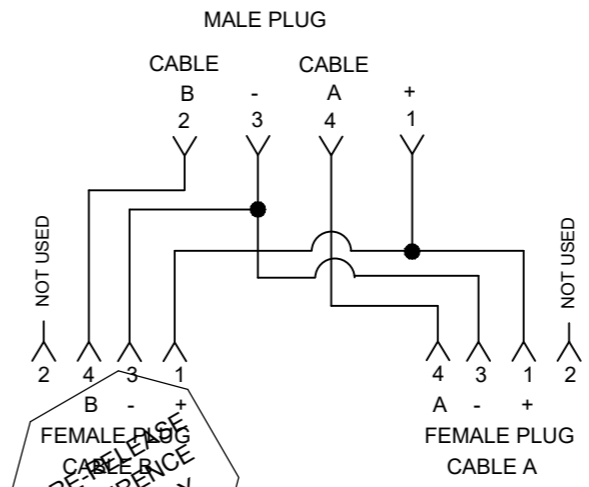
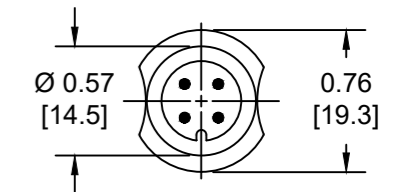
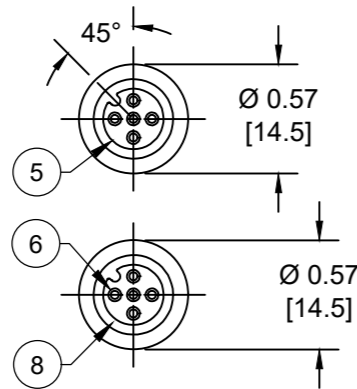
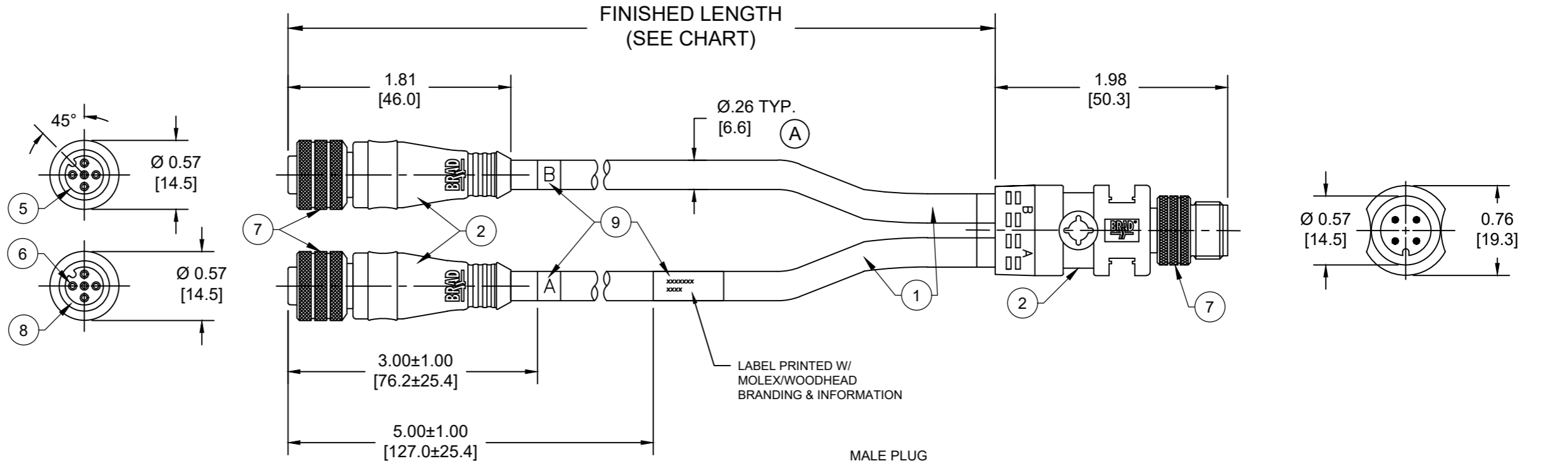
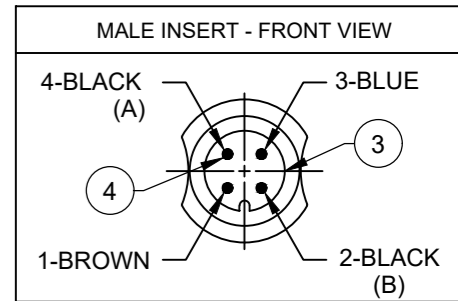
DOCUMENT STATUS RQ RELEASE DATE 2021/06/10 17:14:29

FORMAT: IN/ACAD-IB-prod-B
REVISION: B
DATE: 2020/01/14

PART NO	ENGINEERING NO.	FINISHED LENGTH
1200680187	884A30K03M003	0.3M [1 FT]
1200680192	884A30K03M020	2M [6 FT 7 IN]
1200680194	884A30K03M040	4M [13 FT 1 IN]

(A) PART NO. MATRIX
884A30K03M020

FINISHED LENGTH:
M005= 0.5 METER
M010= 1 METER
M100= 10 METER



(A)

CABLE LENGTH TOLERANCES

<.3M [1FT]:	+19mm-0 [+.75in-0]
.3 - .9M [1 - 3FT]:	+44.5mm-0 [+1.75in-0]
.9 - 1.8M [3 - 6FT]:	+55.6mm-0 [+2.19in-0]
1.8 - 3.7M [6 - 12FT]:	+88.9mm-0 [+3.50in-0]
3.7 - 7.3M [12 - 24FT]:	+165.1mm-0 [+6.50in-0]
7.3-14.6M [24 - 48FT]:	+317.5mm-0 [+12.50in-0]
14.6 - 30.5M [48-100FT]:	+622.3mm-0 [+24.50in-0]
OVER 30M [100FT]	+2% OF FINISHED LENGTH

WIRING SCHEMATIC

FUNCTIONAL SYMBOLS	THIS DRAWING CONTAINS INFORMATION THAT IS PROPRIETARY TO MOLEX ELECTRONIC TECHNOLOGIES, LLC AND SHOULD NOT BE USED WITHOUT WRITTEN PERMISSION	
	DIMENSION UNITS	SCALE
$F=0$	INCH/MM	NTS
$E=0$	GENERAL TOLERANCES (UNLESS SPECIFIED)	
$P=0$	mm	INCH
DIVISIONAL SYMBOLS	4 PLACES	±---
	3 PLACES	±---
DIVISIONAL SYMBOLS	2 PLACES	±---
	1 PLACE	±---
DIVISIONAL SYMBOLS	0 PLACES	±---
	ANGULAR TOL	± --- °
DRAFT WHERE APPLICABLE MUST REMAIN WITHIN DIMENSIONS	THIRD ANGLE PROJECTION	DRAWING
		B-SIZE
	SERIES	120068
	MATERIAL NUMBER	SEE CHART
	CUSTOMER	GENERAL MARKET
	SHEET NUMBER	1 OF 1

EC NO: 666551
DRWN: ABENJAMINLW 2021/03/05
CHK'D: RSTONE 2021/06/10
APPR: ---

INITIAL REVISION:
DRWN: BBRAUCH 2010/02/04
APPR: NSTAUDIG 2010/02/15

DOCUMENT NUMBER: SD-120068-022
DOC TYPE: PSD
DOC PART: 001
REVISION: A