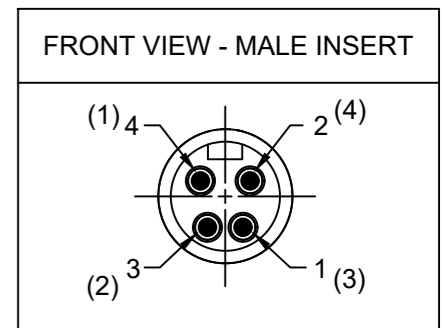
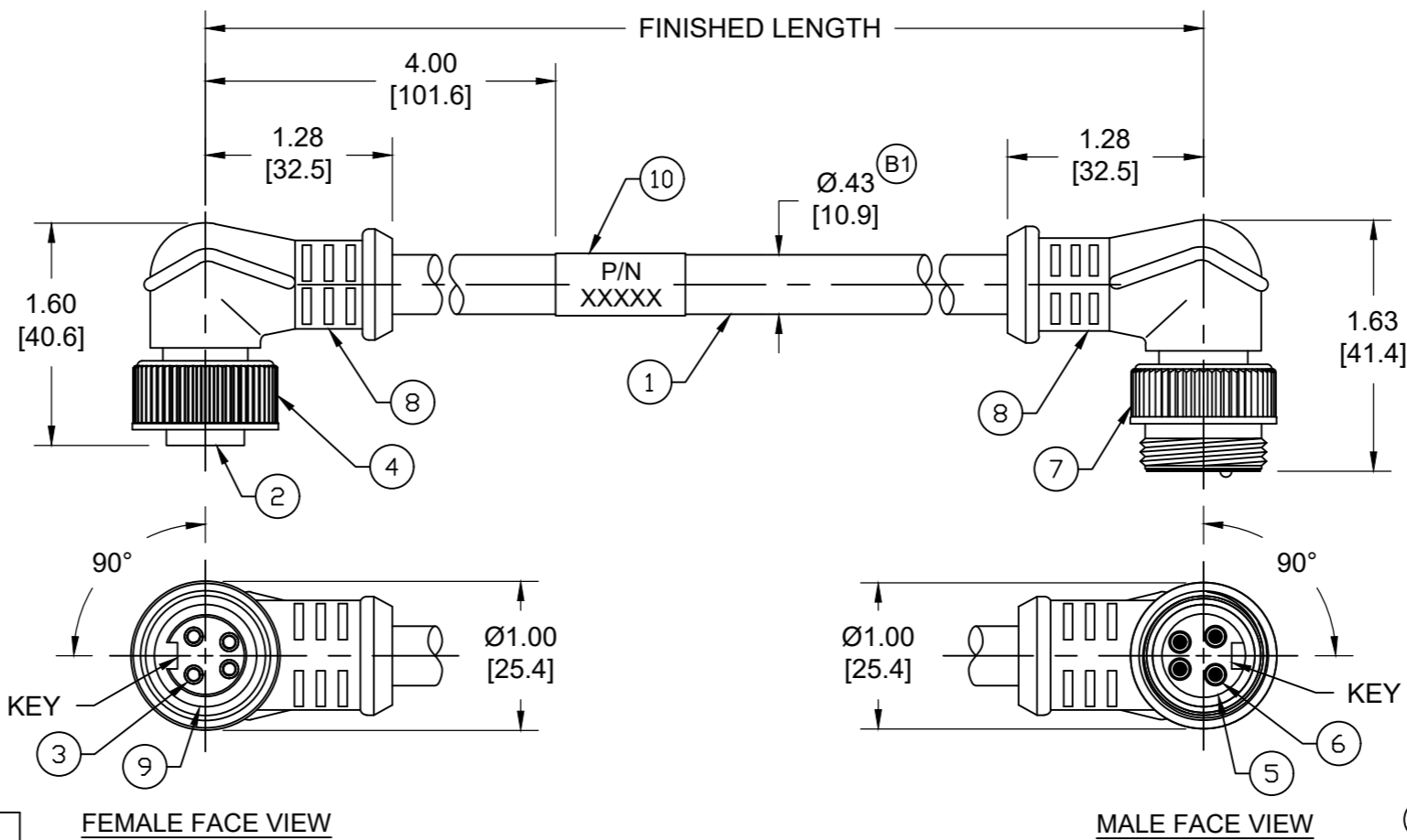


PART NO	ENGINEERING NO.	FINISHED LENGTH
1300101743	114033K12M005	0.5M [ 1FT 8 IN ]
1300101910	114033K12M300	30M [98FT 5 IN]
1300101913	114033K12M600	60M [196FT 10 IN]



- NOTES:
- MATERIAL: SEE TABLE
  - FINISH: SEE TABLE
  - ELECTRICAL:  
VOLTAGE: 483V PER IEC60664  
600V PER UL2238  
CURRENT: 8A (B1)
  - TEMP RATING: -20°TO +90°C
  - PROTECTION: IP67 (WHEN MATED)
  - COUPLING THREAD: 7/8-16 UN
  - UL LISTED FILE: E152210 (B1)
  - ALL DIMENSIONS ARE FOR REFERENCE UNLESS TOLERANCED OR NOTED OTHERWISE



CENELEC EN 50 044 PINOUT SHOWN (SAE-J-1738A SHOWN IN PARENTHESIS)

4 (1)	BLACK	4 (1)
3 (2)	BLUE	3 (2)
1 (3)	BROWN	1 (3)
2 (4)	WHITE	2 (4)

MECHANICAL CHARACTERISTICS: (B1)

TORSIONAL FLEX TEST	20 MILLION CYCLES PER MIL-C-13777G
BEND FLEX TEST	20 MILLION CYCLES PER MIL-C-13777G
WELD SLAG RESISTANCE	WOODHEAD STANDARD S-300

PART NUMBER LEGEND  
114033K12M005

FINISHED LENGTH  
M005 = 0.5 METER  
M010 = 1 METER  
M100 = 10 METER

(B1)

CABLE LENGTH TOLERANCES

<.3M [1FT]: +19mm-0 [ +.75in-0]

.3 - .9M [1 - 3FT]: +44.5mm-0 [+1.75in-0]

.9 - 1.8M [3 - 6FT]: +55.6mm-0 [+2.19in-0]

1.8 - 3.7M [6 - 12FT]: +88.9mm-0 [+3.50in-0]

3.7 - 7.3M [12 - 24FT]: +165.1mm-0 [+6.50in-0]

7.3-14.6M [24 - 48FT]: +317.5mm-0 [+12.50in-0]

14.6 - 30.5M [48-100FT]: +622.3mm-0 [+24.50in-0]

OVER 30M [100FT] +2% OF FINISHED LENGTH

ITEM	DESCRIPTION	MATERIAL	FINISH
10	WRAP LABEL	VINYL	BLACK/YELLOW (B1)
9	FRICTION RING	NYLON	WHITE (B1)
8	OVERMOLD	TPE	YELLOW
7	COUPLING NUT, MALE	ZINC DIE-CAST	BLACK E-COAT
6	CONTACT PIN	COPPER ALLOY	GOLD OVER NICKEL
5	MALE INSERT	TPE	YELLOW
4	COUPLING NUT, FEMALE	ZINC DIE-CAST	BLACK E-COAT
3	CONTACT SOCKET	COPPER ALLOY	GOLD OVER NICKEL
2	FEMALE INSERT	TPE	YELLOW
1	CABLE, 16/4 AWG	TPE	YELLOW

FUNCTIONAL SYMBOLS F=0 E=0 P=0	THIS DRAWING CONTAINS INFORMATION THAT IS PROPRIETARY TO MOLEX ELECTRONIC TECHNOLOGIES, LLC AND SHOULD NOT BE USED WITHOUT WRITTEN PERMISSION	CURRENT REV DESC: ADDED ITEM-9, TOL CHART, UL NUMBER AND CABLE DIA. CURRENT WAS 10A & ITEM-10 WAS MYLAR. MODIFIED PN CHART																																				
	<table border="1"> <tr> <th>DIMENSION UNITS</th> <th>SCALE</th> </tr> <tr> <td>INCH/MM</td> <td>NTS</td> </tr> </table>	DIMENSION UNITS	SCALE			INCH/MM	NTS	<table border="1"> <tr> <th colspan="2">GENERAL TOLERANCES (UNLESS SPECIFIED)</th> </tr> <tr> <td>4 PLACES</td> <td>±--- ±---</td> </tr> <tr> <td>3 PLACES</td> <td>±--- ±---</td> </tr> <tr> <td>2 PLACES</td> <td>±--- ±---</td> </tr> <tr> <td>1 PLACE</td> <td>±--- ±---</td> </tr> <tr> <td>0 PLACES</td> <td>±--- ±---</td> </tr> </table>	GENERAL TOLERANCES (UNLESS SPECIFIED)		4 PLACES	±--- ±---	3 PLACES	±--- ±---	2 PLACES	±--- ±---	1 PLACE	±--- ±---	0 PLACES	±--- ±---	<table border="1"> <tr> <td>EC NO: 709714</td> <td>2022/05/16</td> </tr> <tr> <td>DRWN: ABENJAMINLW</td> <td>2022/06/08</td> </tr> <tr> <td>CHK'D: RSTONE</td> <td>2022/06/14</td> </tr> <tr> <td>APPR: BWOODMAN</td> <td></td> </tr> </table>	EC NO: 709714	2022/05/16	DRWN: ABENJAMINLW	2022/06/08	CHK'D: RSTONE	2022/06/14	APPR: BWOODMAN		<table border="1"> <tr> <td colspan="3">MINI-CHANGE CORDSET, A-SIZE</td> </tr> <tr> <td colspan="3">4 POLE, MALE 90DEG - FEMALE 90DEG, SINGLE KEY, #16/4 AWG TPE HI-FLEX</td> </tr> <tr> <td colspan="3">PRODUCT CUSTOMER DRAWING</td> </tr> </table>		MINI-CHANGE CORDSET, A-SIZE			4 POLE, MALE 90DEG - FEMALE 90DEG, SINGLE KEY, #16/4 AWG TPE HI-FLEX			PRODUCT CUSTOMER DRAWING
	DIMENSION UNITS	SCALE																																				
	INCH/MM	NTS																																				
GENERAL TOLERANCES (UNLESS SPECIFIED)																																						
4 PLACES	±--- ±---																																					
3 PLACES	±--- ±---																																					
2 PLACES	±--- ±---																																					
1 PLACE	±--- ±---																																					
0 PLACES	±--- ±---																																					
EC NO: 709714	2022/05/16																																					
DRWN: ABENJAMINLW	2022/06/08																																					
CHK'D: RSTONE	2022/06/14																																					
APPR: BWOODMAN																																						
MINI-CHANGE CORDSET, A-SIZE																																						
4 POLE, MALE 90DEG - FEMALE 90DEG, SINGLE KEY, #16/4 AWG TPE HI-FLEX																																						
PRODUCT CUSTOMER DRAWING																																						
DIVISIONAL SYMBOLS	<table border="1"> <tr> <td>ANGULAR TOL ± --- °</td> </tr> </table>	ANGULAR TOL ± --- °	<table border="1"> <tr> <td>INITIAL REVISION:</td> <td></td> </tr> <tr> <td>DRWN: VOU</td> <td>2012/01/19</td> </tr> <tr> <td>APPR: JFMURPHY</td> <td>2012/03/08</td> </tr> </table>	INITIAL REVISION:		DRWN: VOU	2012/01/19	APPR: JFMURPHY	2012/03/08	<table border="1"> <tr> <td>DOCUMENT NUMBER</td> <td>DOC TYPE</td> <td>DOC PART</td> <td>REVISION</td> </tr> <tr> <td>SD-130010-020</td> <td>PSD</td> <td>001</td> <td>B1</td> </tr> </table>		DOCUMENT NUMBER	DOC TYPE	DOC PART	REVISION	SD-130010-020	PSD	001	B1																			
ANGULAR TOL ± --- °																																						
INITIAL REVISION:																																						
DRWN: VOU	2012/01/19																																					
APPR: JFMURPHY	2012/03/08																																					
DOCUMENT NUMBER	DOC TYPE	DOC PART	REVISION																																			
SD-130010-020	PSD	001	B1																																			
DRAFT WHERE APPLICABLE MUST REMAIN WITHIN DIMENSIONS	THIRD ANGLE PROJECTION	DRAWING	SERIES	MATERIAL NUMBER	CUSTOMER	SHEET NUMBER																																
		B-SIZE	130010	SEE CHART	GENERAL MARKET	1 OF 1																																