

## PCB connector - ZEC 1,5/ 5-LPV-5,0 C2 - 1898295

Please be informed that the data shown in this PDF Document is generated from our Online Catalog. Please find the complete data in the user's documentation. Our General Terms of Use for Downloads are valid (<http://phoenixcontact.com/download>)

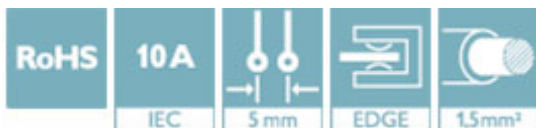
PCB connector, nominal current: 10 A, number of positions: 5, pitch: 5 mm, color: green, contact surface: Tin, mounting: Direct plug-in method




The figure shows a 10-position version of the product

### Your advantages

- Easy component connection
- Inexpensive direct plug-in connection with just one component



### Key Commercial Data

Packing unit	50 pc
GTIN	 4 017918 167004
GTIN	4017918167004

### Technical data

#### Dimensions

Length	22.9 mm
Height	7 mm
Width	26.37 mm
Pitch	5 mm
Dimension a	25 mm

#### General

Range of articles	ZEC 1,5/..-LPV
Insulating material group	I
Rated surge voltage (III/3)	4 kV
Rated surge voltage (III/2)	4 kV
Rated surge voltage (II/2)	4 kV
Rated voltage (III/2)	320 V

## PCB connector - ZEC 1,5/ 5-LPV-5,0 C2 - 1898295

### Technical data

#### General

Rated voltage (II/2)	630 V
Connection in acc. with standard	EN-VDE
Nominal current $I_N$	10 A
Nominal voltage $U_N$	250 V
Nominal cross section	1.5 mm <sup>2</sup>
Maximum load current	10 A
Insulating material	PA
Flammability rating according to UL 94	V0
Number of positions	5

#### Standards and Regulations

Connection in acc. with standard	EN-VDE
	CUL
Flammability rating according to UL 94	V0

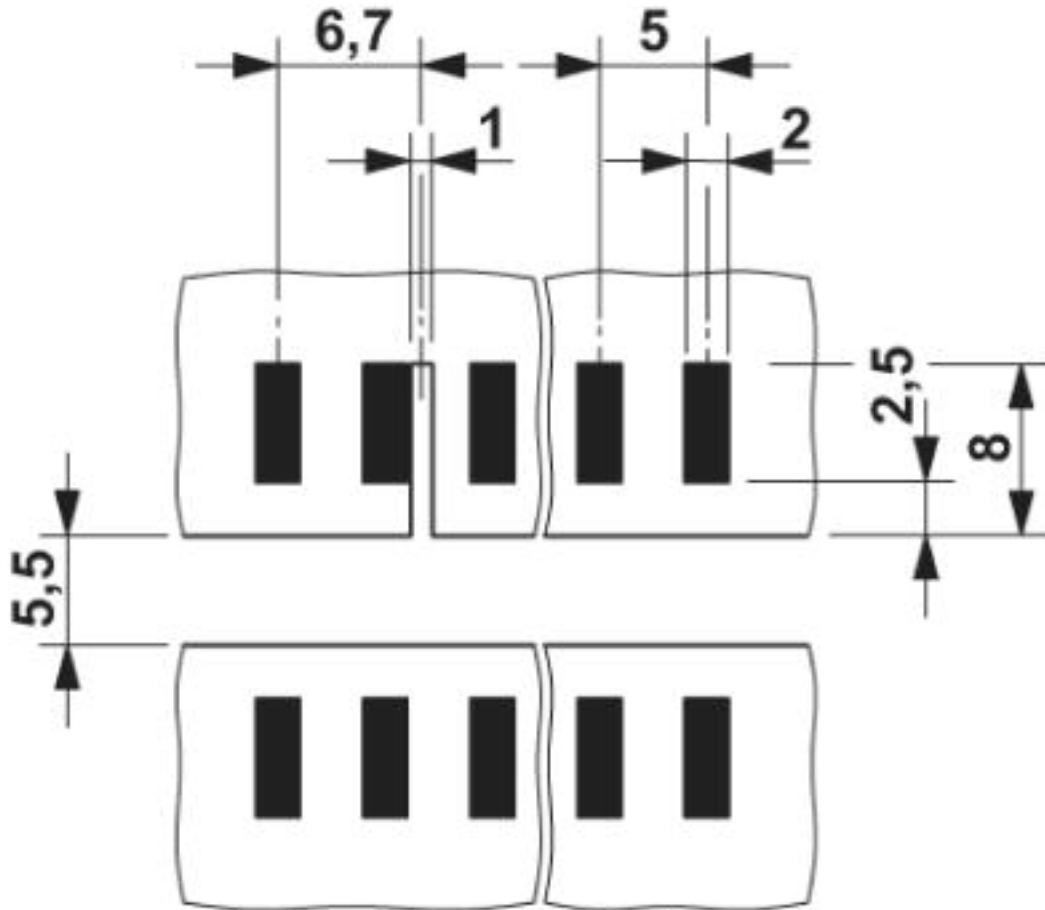
#### Environmental Product Compliance

China RoHS	Environmentally friendly use period: unlimited = EFUP-e
	No hazardous substances above threshold values

### Drawings

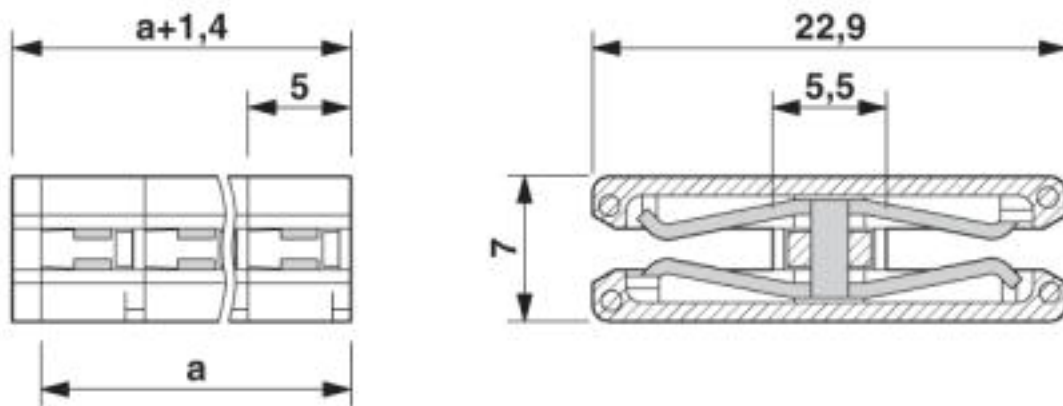
# PCB connector - ZEC 1,5/ 5-LPV-5,0 C2 - 1898295

Drilling diagram



Size of the PCB:  $1.6 \pm 0.2$  mm

Dimensional drawing



# PCB connector - ZEC 1,5/ 5-LPV-5,0 C2 - 1898295

## Approvals

### Approvals

#### Approvals

CCA / IEC60384 CB Scheme / VDE Gutachten mit Fertigungsüberwachung / EAC / cULus Recognized

#### Ex Approvals

### Approval details

CCA	DE1 34215	
Nominal voltage UN	1000 V	
Nominal current IN	10 A	

IECEE CB Scheme		<a href="http://www.iecee.org/">http://www.iecee.org/</a>	DE1-51128
Nominal voltage UN	1000 V		
Nominal current IN	10 A		

VDE Gutachten mit Fertigungsüberwachung		<a href="http://www2.vde.com/de/Institut/Online-Service/VDE-gepruefteProdukte/Seiten/Online-Suche.aspx">http://www2.vde.com/de/Institut/Online-Service/VDE-gepruefteProdukte/Seiten/Online-Suche.aspx</a>	40020343
Nominal voltage UN	250 V		
Nominal current IN	10 A		

EAC		B.01742
-----	--	---------

cULus Recognized		<a href="http://database.ul.com/cgi-bin/XYV/template/LISEXT/1FRAME/index.htm">http://database.ul.com/cgi-bin/XYV/template/LISEXT/1FRAME/index.htm</a>	E60425-19941110
Nominal voltage UN	B	D	
Nominal current IN	300 V	300 V	
	10 A	10 A	

Phoenix Contact 2019 © - all rights reserved  
<http://www.phoenixcontact.com>

PHOENIX CONTACT GmbH & Co. KG  
Flachsmarktstr. 8  
32825 Blomberg  
Germany  
Tel. +49 5235 300  
Fax +49 5235 3 41200  
<http://www.phoenixcontact.com>