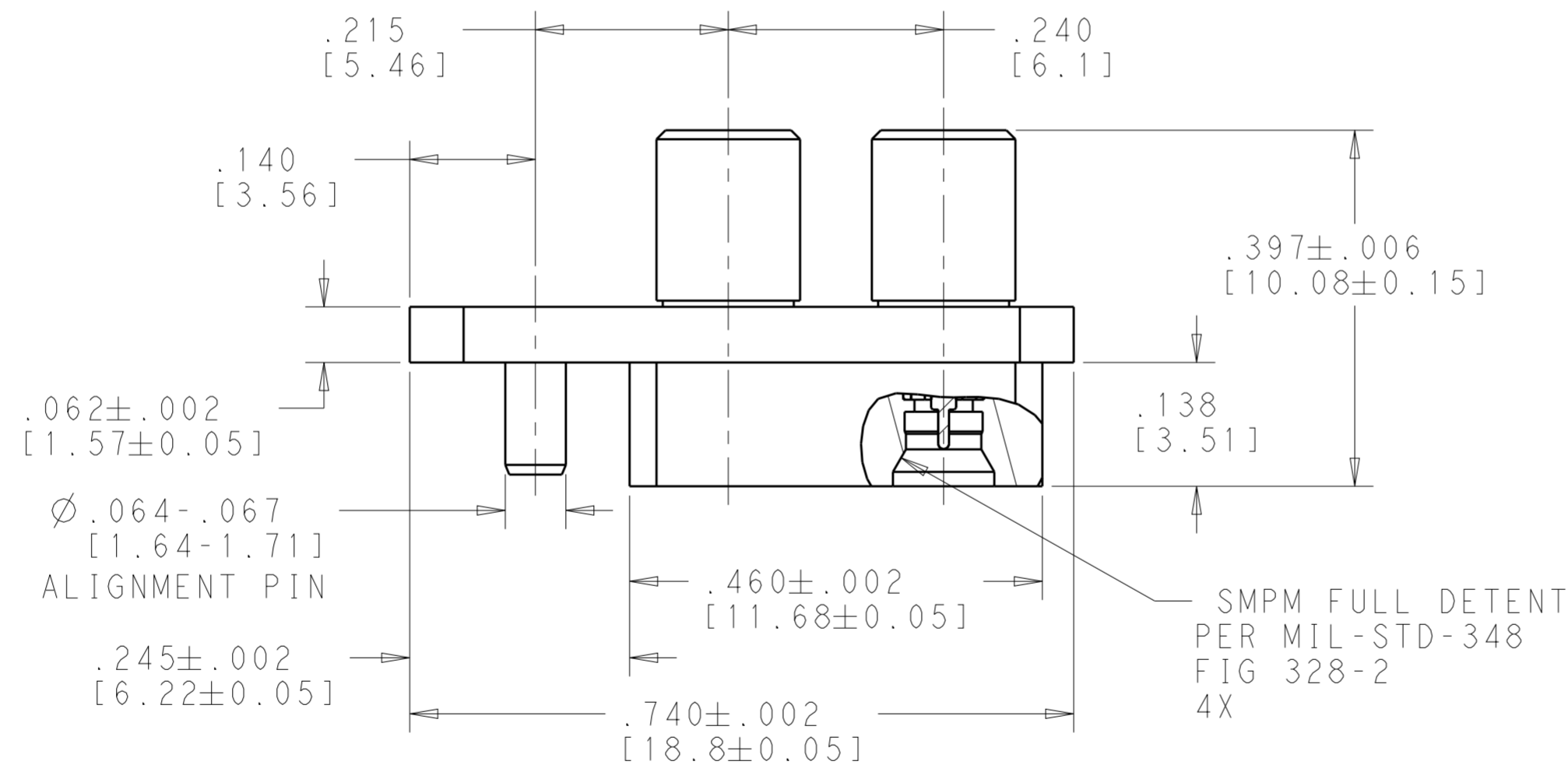
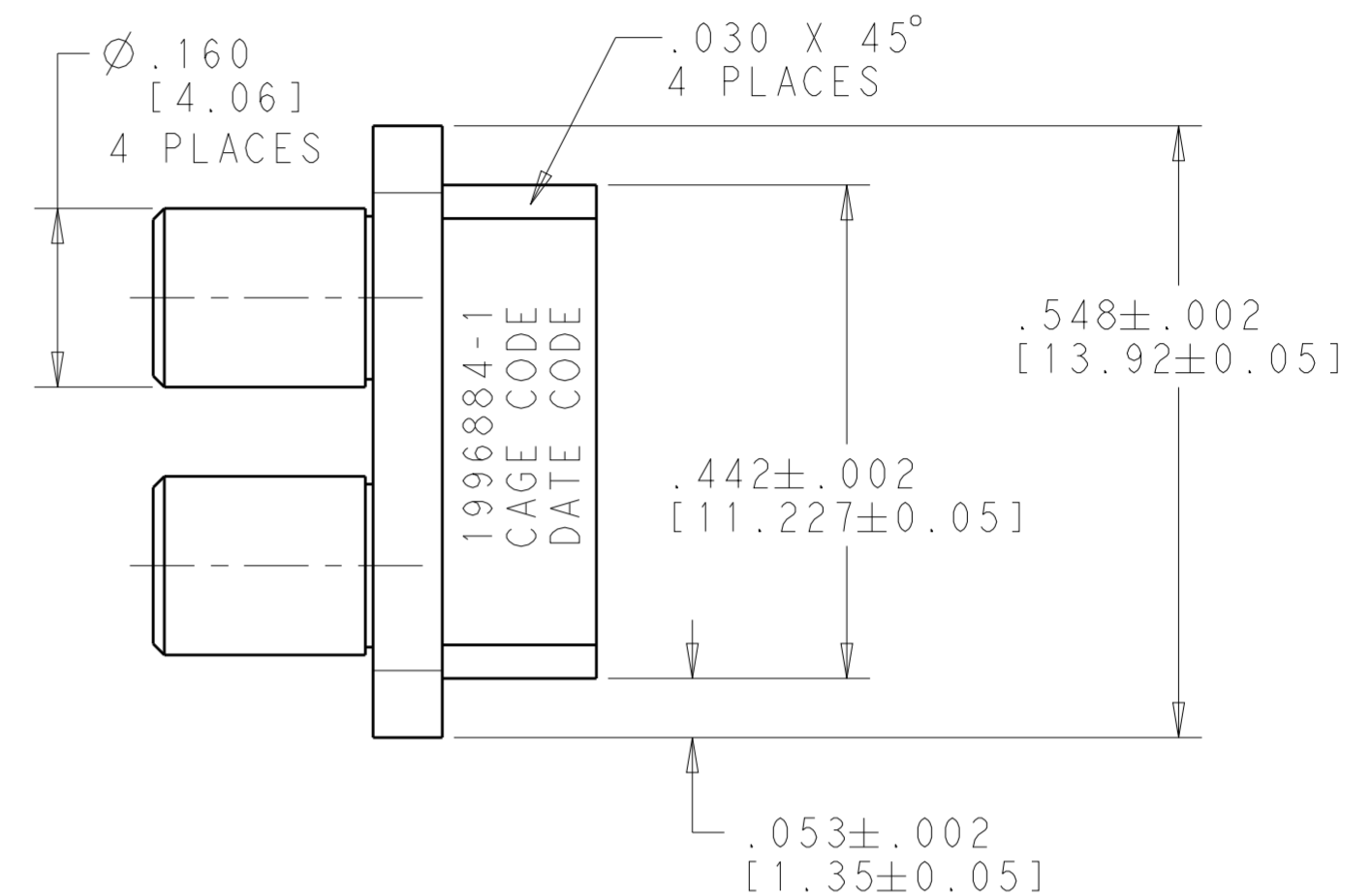
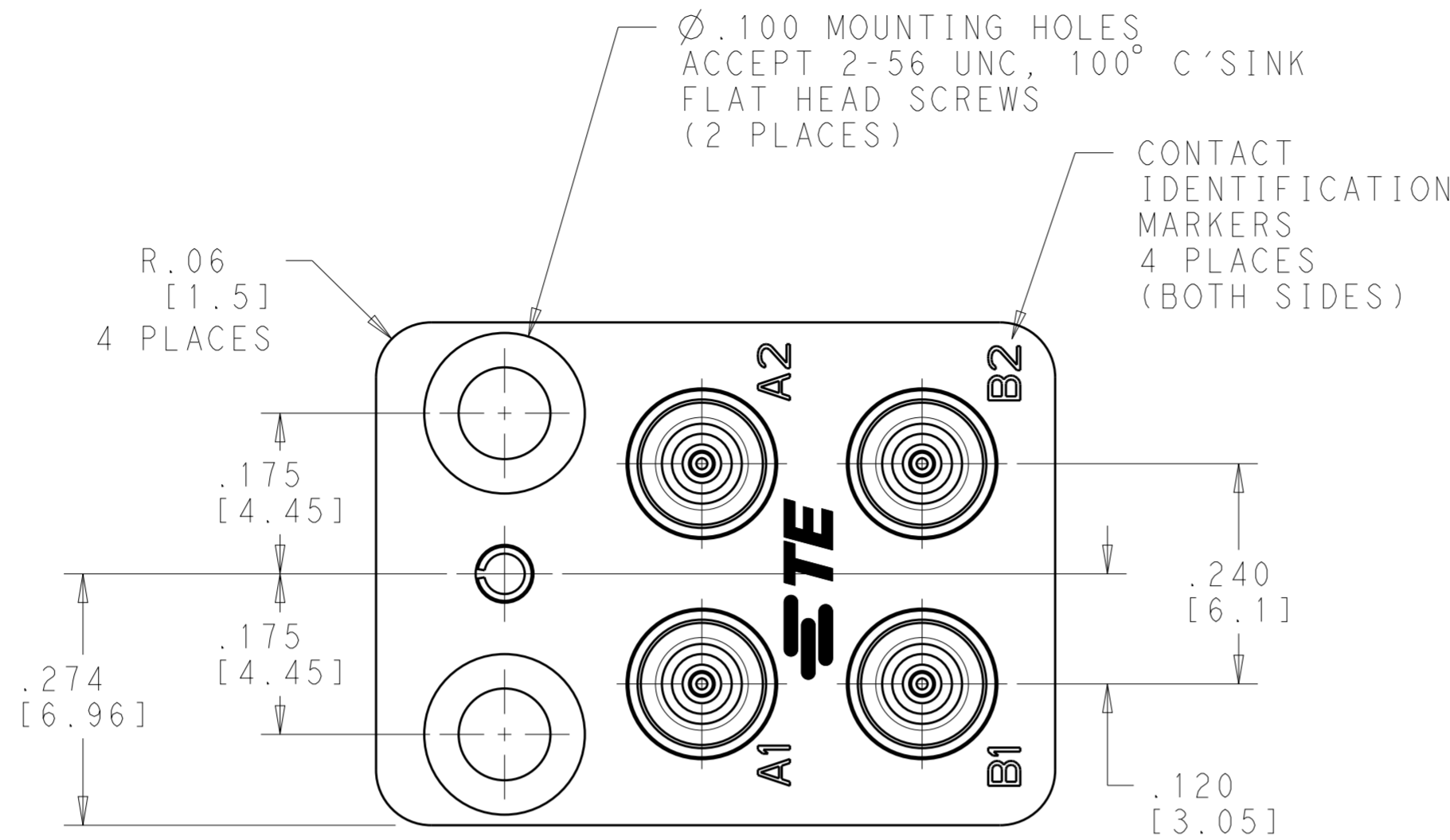
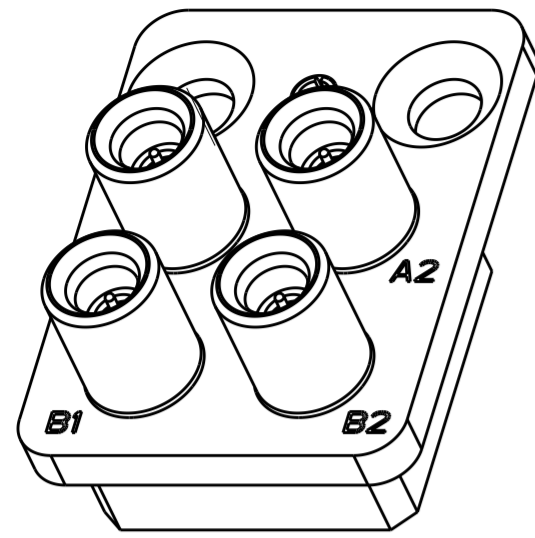


REVISIONS					
P	LTR	DESCRIPTION	DATE	DWN	APVD
	K	REV PER ECO 20-006705	5-14-20	CT	FB



- MATERIAL:
SMOOTHBORE SMPM CONNECTOR BODY & CENTER CONTACT - BERYLLIUM COPPER, ALLOY UNS C17300 CONDITION TDO4, PER ASTM B196.
INSULATORS - TEFLON (PTFE) ROD, PER ASTM D 1710.
MODULE BODY - STAINLESS STEEL, PER UNS S30300.
SLOTTED SPRING PIN - NICKEL STAINLESS STEEL

- FINISH:
SMOOTHBORE SMPM CONNECTOR BODY & CENTER CONTACT - GOLD PLATE OVER NICKEL
MODULE BODY & SLOTTED PIN - PASSIVATED

1996884-1

PART
NUMBER

THIS DRAWING IS A CONTROLLED DOCUMENT.		DWN S.T. Morley 24JUL2009	TE Connectivity			
DIMENSIONS: INCHES [mm]		CHK S.T. Morley 24JUL2009				
TOLERANCES UNLESS OTHERWISE SPECIFIED:		APVD S.T. Morley 24JUL2009				
0 PLC ± 1 PLC ±.1 2 PLC ±.01 3 PLC ±.001 4 PLC ±.0005 ANGLES ±1.0° FINISH		NAME 4 POSITION R.F. MODULE P.C.B. MOUNT - BACKPLANE VITA 67 3U				
MATERIAL material_2	finish_spec_2	PRODUCT SPEC -	SIZE A2	CAGE CODE 00779	DRAWING NO C-1996884	RESTRICTED TO
CUSTOMER DRAWING		WEIGHT -	SCALE 6:1	SHEET 1 OF 1	REV K	