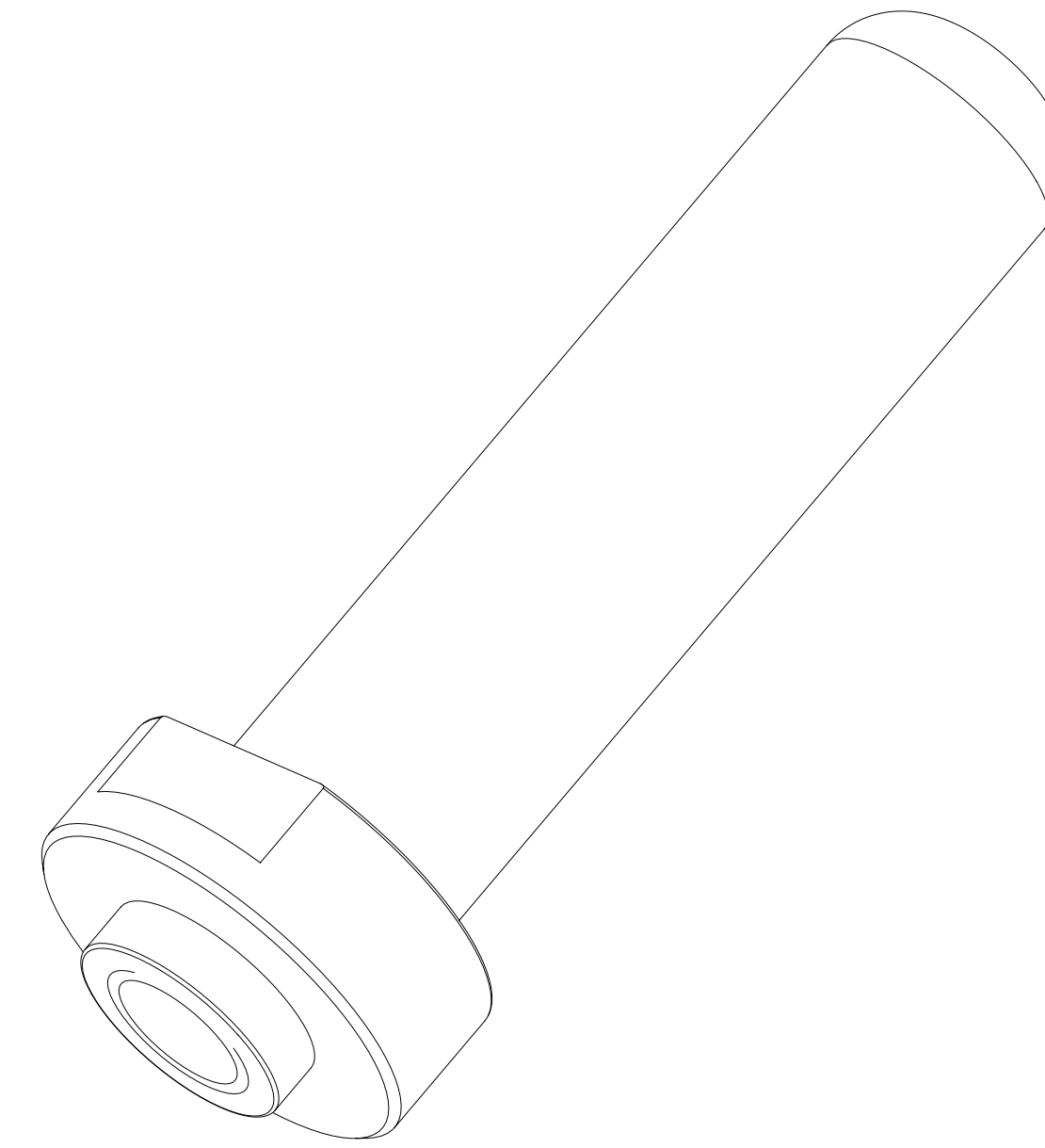
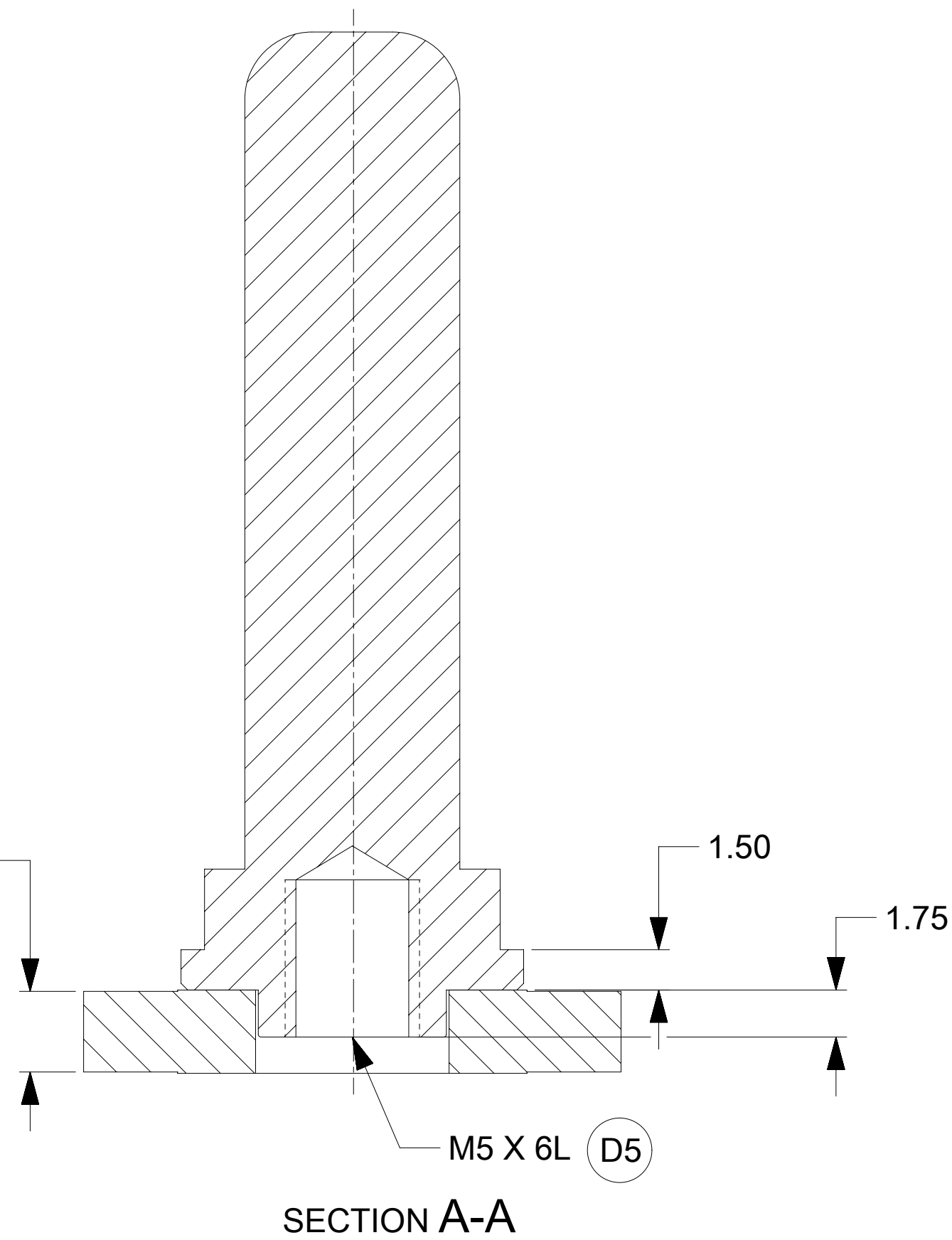
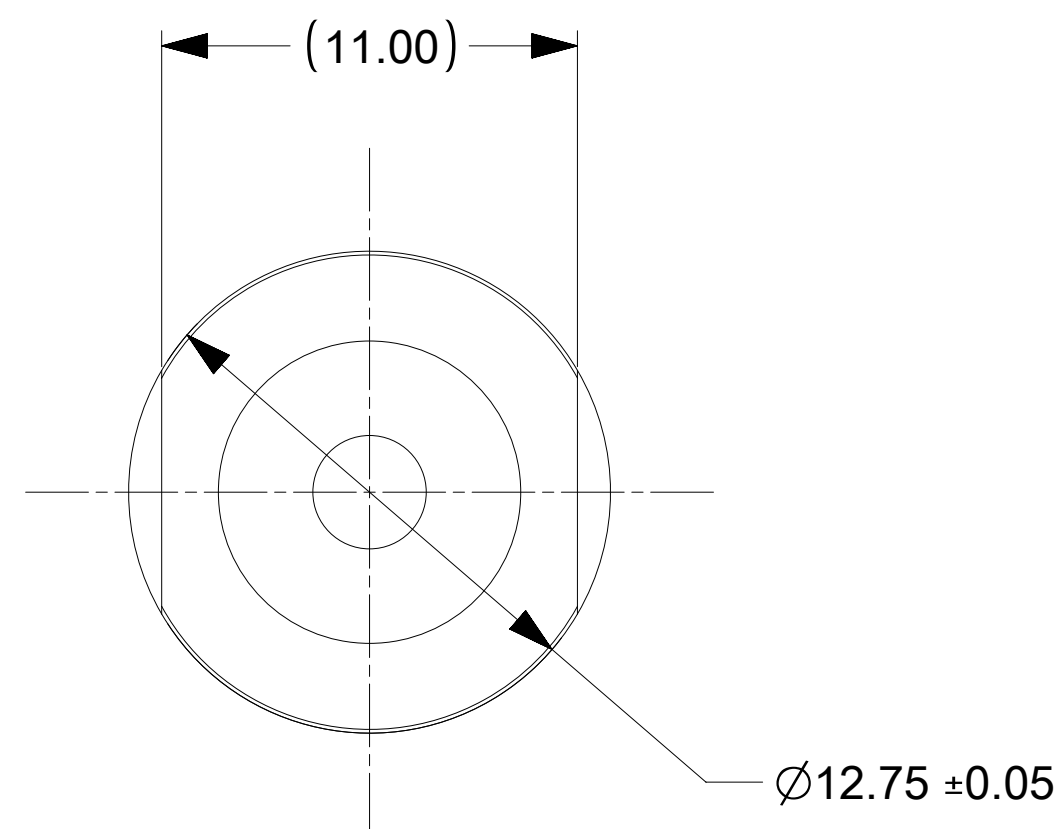
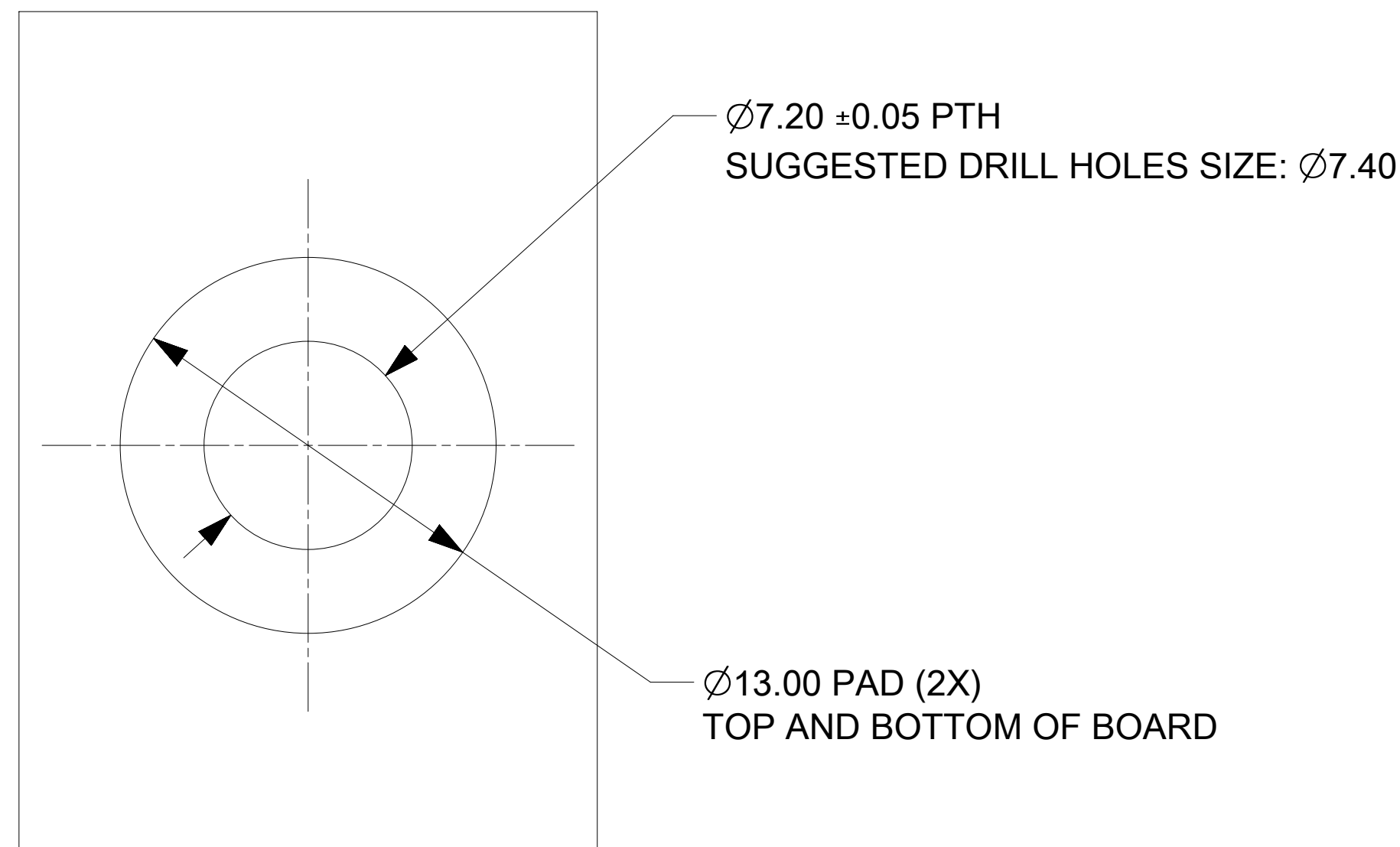


MINIMUM PCB/BUSBAR THICKNESS IS 2.00MM



| PART NUMBER | DIMENSION "L" |
|-------------|---------------|
| 2032634085  | 45.65         |
| 2032634185  | 35.65         |
| 2032634285  | 20.65         |
| 2032634385  | 30.65         |
| 2032634485  | 29.15         |
| 2032634585  | 25.50         |
| 2032634685  | 43.65         |
| 2032634785  | 40.35         |
| 2032634885  | 16.65         |
| 2032634985  | 66.50         |
| 2032637085  | 85.65         |
| 2032637185  | 55.00         |
| 2032637285  | 15.00         |
| 2032637385  | 13.75         |
| 2032637485  | 65.80         |
| 2032637585  | 16.00         |
| 2032637685  | 20.00         |
| 2032637785  | 26.00         |
| 2032637885  | 36.00         |
| 2032637985  | 48.00         |



NOTES :

- MATERIALS:  
 BASE METAL: HIGH CONDUCTIVE COPPER ALLOY  
 PLATING ON BODY: 3.18 MICRON MIN SILVER OVER 1.27 MICRON MIN NICKEL
- PRODUCT SPECIFICATION: 2043130001-PS
- APPLICATION SPECIFICATION: 2043130001-AS
- PARTS TO BE PACKAGED AS PER PACKAGING SPECIFICATION: 2032630006-PK
- SILVER COMPONENTS WILL BE SUPPLIED TARNISH FREE BUT MAY TARNISH OVER TIME.
- PART TO BE MOUNTED WITH CONDUCTIVE M5 SCREW AND CONDUCTIVE BELLEVILLE WASHER FOR OPTIMAL PERFORMANCE
- SCREW LENGTH TO BE DETERMINED BY CUSTOMER, SCREWS AND WASHERS ARE NOT SUPPLIED BY MOLEX.

|   |  |            |  |  |  |                             |  |   |  |                            |  |
|---|--|------------|--|--|--|-----------------------------|--|---|--|----------------------------|--|
| THIS DRAWING CONTAINS INFORMATION THAT IS PROPRIETARY TO MOLEX ELECTRONIC TECHNOLOGIES, LLC AND SHOULD NOT BE USED WITHOUT WRITTEN PERMISSION |  |            |  |  |  |                             |  |   |  |                            |  |
| DIMENSION UNITS: mm   |  | SCALE: 5:1 |  | CURRENT REV DESC: UPDATED NOTES AND THREAD DIMENSION |  |                             |  |   |  |                            |  |
| GENERAL TOLERANCES (UNLESS SPECIFIED)   |  |            |  | EC NO: 748054  |  |                             |  |   |  |                            |  |
| ANGULAR TOL ± 0.5°  |  |            |  | 4 PLACES ±   |  | DRWN: ABHIRK 2023/02/07     |  | SENTRALITY 8.00MM MALE TERMINAL SCREW MOUNT<br>PRODUCT CUSTOMER DRAWING |  |                            |  |
| 3 PLACES ±  |  |            |  | 2 PLACES ± 0.2                                       |  | CHK'D: SUVARS 2023/05/08    |  |   |  |                            |  |
| 1 PLACE ± 0.25  |  |            |  | 0 PLACES ±   |  | APPR: HTHYAGARAJ 2023/05/22 |  | DOCUMENT NUMBER: 2032634185-SD  |  |                            |  |
| DRAFT WHERE APPLICABLE MUST REMAIN WITHIN DIMENSIONS  |  |            |  | THIRD ANGLE PROJECTION                               |  | DRAWING: D-SIZE             |  | SERIES: 203263  |  | MATERIAL NUMBER: SEE TABLE |  |
| DOCUMENT STATUS: P1   |  |            |  | RELEASE DATE: 2023/05/22 16:12:37                    |  | DRWN: JJONIAK 2018/10/10    |  | APPR: BPISZCZOR 2019/03/22  |  | CUSTOMER: GENERAL MARKET   |  |
|   |  |            |  |  |  |                             |  | PSD 000   |  | D5                         |  |
|   |  |            |  |  |  |                             |  |   |  | SHEET NUMBER: 1 OF 1       |  |

RECOMMENDED PCB OR BUSBAR LAYOUT