

注記:
NOTES:

1. 材料及び仕上げ(めっき仕様): TABLE 1, TABLE2 参照
MATERIAL AND FINISHES (PLATING SPECIFICATION): SEE TABLE 1, TABLE2.
2. 製品仕様書、コネクタ取扱説明書、適合嵌合相手、適合リテーナーはSHEET 5を
ご参照下さい。
PLEASE REFER TO SHEET 5 FOR PRODUCT SPECIFICATION,
APPLICATION SPECIFICATION, MATE WITH AND APPLICABLE RETAINER.
3. 端子テール部 及び ネイルの平坦度: 0.1 MAXIMUM
TAIL AND NAIL COPLANARITY TO BE 0.1 MAXIMUM
4. 偶数極に適合
APPLY TO EVEN CIRCUIT
5. 発注番号: SHEET 5 参照
ORDER NUMBER: PLEASE REFER TO SHEET 5

205957**7*

極数 CIRCUIT SIZE	番号 NO.	ハウジングカラー HOUSING COLOR
	0	ナチュラル(白) NATURAL(WHITE)
	1	黒 BLACK

TABLE 1

番号 NO.	部品 PART	材質 MATERIAL
①	ハウジング HOUSING	ポリアミド(PA)、ガラス充填、UL94 V-0、色: SHEET 5 参照 POLYAMIDE (PA), GLASS FILLED, UL94 V-0, COLOR: SEE SHEET 5
②	ターミナル TERMINAL	黄銅 BRASS
		錫ビスマスめっき TIN-BISMUTH PLATING: 1.0 MICROMETER MINIMUM
		ニッケルめっき(下地) NICKEL (UNDER-PLATING): 1.0 MICROMETER MINIMUM
③	ネイル NAIL	黄銅 BRASS
		錫めっき MATTE TIN PLATING: 1.0 MICROMETER MINIMUM
		ニッケルめっき(下地) NICKEL (UNDER-PLATING): 1.0 MICROMETER MINIMUM
④	カバーテープ COVER TAPE	ポリイミド POLYIMIDE

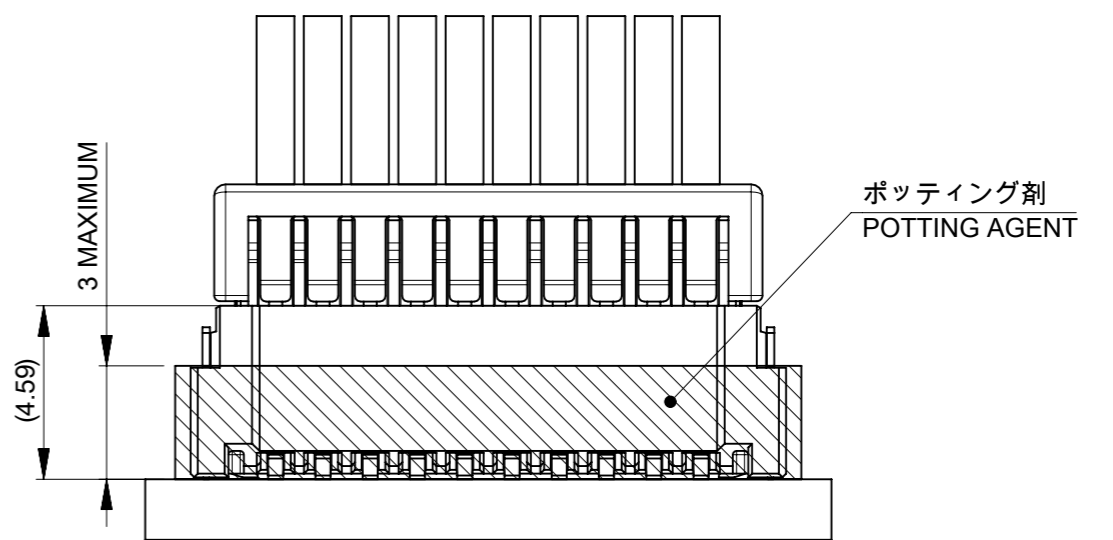
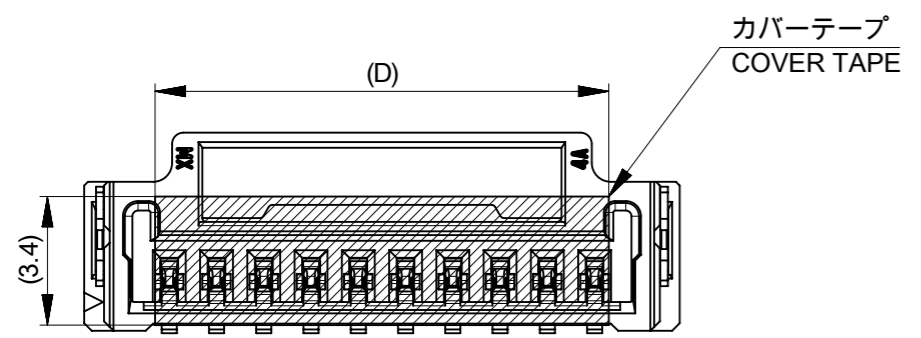
12	22.62	18.75	23.25	16
	21.37	17.5	22	15
	20.12	16.25	20.75	14
	18.87	15	19.5	13
	17.62	13.75	18.25	12
	16.37	12.5	17	11
10	15.12	11.25	15.75	10
	13.87	10	14.5	9
	12.62	8.75	13.25	8
8	11.37	7.5	12	7
	10.12	6.25	10.75	6
	8.87	5	9.5	5
7	7.62	3.75	8.25	4
	6.37	2.5	7	3
5	5.12	1.25	5.75	2
	D	C	B	A

THIS DRAWING CONTAINS INFORMATION THAT IS PROPRIETARY TO MOLEX ELECTRONIC TECHNOLOGIES, LLC AND SHOULD NOT BE USED WITHOUT WRITTEN PERMISSION		CURRENT REV DESC:			
DIMENSION UNITS	SCALE				
mm	NTS			MICRO-LOCK PLUS 1.25 W/B SINGLE ROW VERTICAL SMT PLUG ASSEMBLY FOR POTTING	
GENERAL TOLERANCES (UNLESS SPECIFIED)				PRODUCT CUSTOMER DRAWING	
ANGULAR TOL	± 3.0 °			DOCUMENT NUMBER	
4 PLACES	± 0.2	EC NO: 736271	2022/12/27	2059573000-SD	
3 PLACES	± 0.2	DRWN: SOKUMURA01	2023/02/16	DOC TYPE	DOC PART
2 PLACES	± 0.2	CHK'D: SAKIYAMA	2023/02/16	PSD	000
1 PLACE	± 0.2	APPR: AIDA	2023/02/16	REVISION	D
0 PLACES	± 0.2	INITIAL REVISION:		SHEET NUMBER	
DRAFT WHERE APPLICABLE MUST REMAIN WITHIN DIMENSIONS		DRWN: TAKAIKE	2019/08/01	SEE SHEET 5	
THIRD ANGLE PROJECTION		APPR: AIDA	2019/08/20	GENERAL	
DRAWING		SERIES	MATERIAL NUMBER	CUSTOMER	
A3-SIZE		205957	SEE SHEET 5	GENERAL	

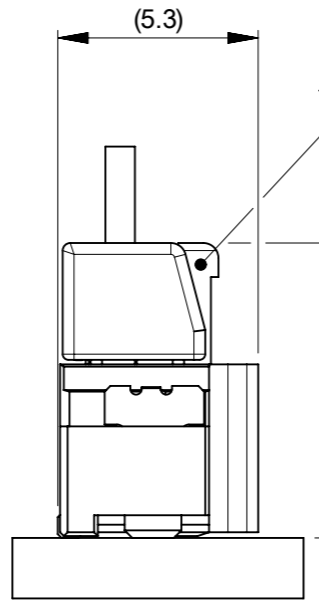
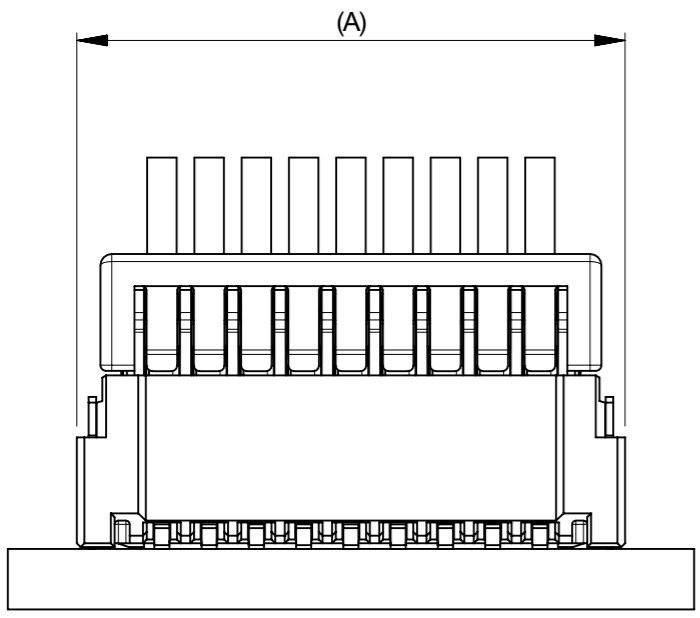
10 9 8 7 6 5 4 3 2 1

吸着エリア
SUCTION AREA

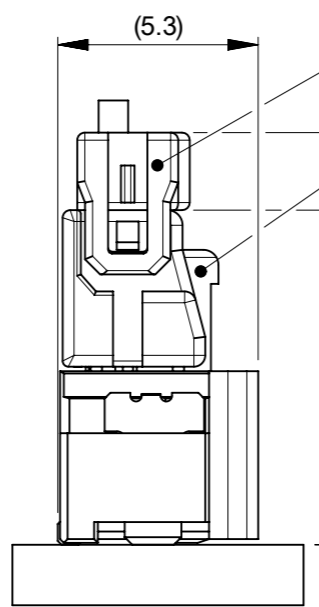
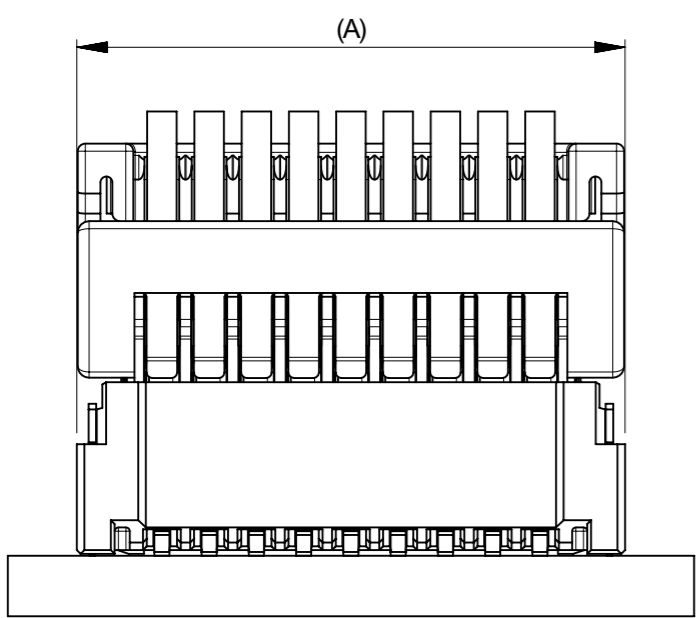
ポッティング高さ
POTTING HEIGHT



嵌合状態図
MATED CONNECTORS



2 嵌合相手 : 204532シリーズ
MATE WITH : 204532 SERIES

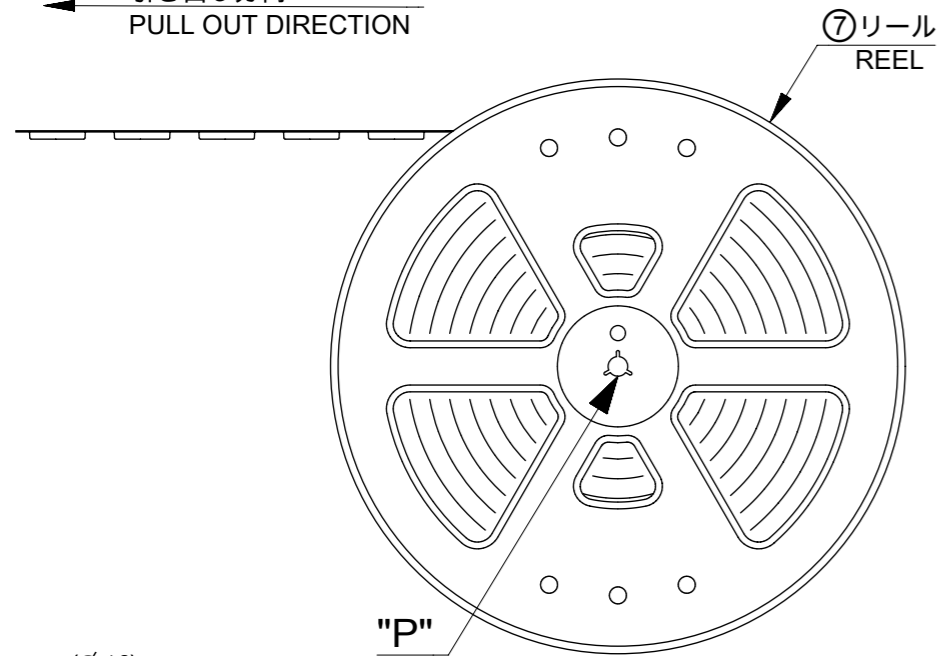


2 リテーナー : 214528シリーズ
RETAINER : 214528 SERIES

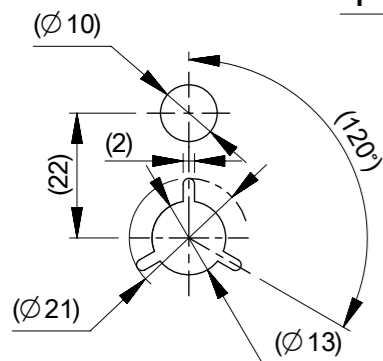
2 嵌合相手 : 214526シリーズ
MATE WITH : 214526 SERIES

THIS DRAWING CONTAINS INFORMATION THAT IS PROPRIETARY TO MOLEX ELECTRONIC TECHNOLOGIES, LLC AND SHOULD NOT BE USED WITHOUT WRITTEN PERMISSION													
DIMENSION UNITS		SCALE		CURRENT REV DESC:									
mm		NTS											
GENERAL TOLERANCES (UNLESS SPECIFIED)				<p>molex</p> <p>MICRO-LOCK PLUS 1.25 W/B SINGLE ROW VERTICAL SMT PLUG ASSEMBLY FOR POTTING</p> <p>PRODUCT CUSTOMER DRAWING</p> <p>DOCUMENT NUMBER: 2059573000-SD DOC TYPE: PSD DOC PART: 000 REVISION: D</p>									
ANGULAR TOL ± 3.0 °													
4 PLACES ± 0.2		EC NO: 736271								DRWN: SOKUMURA01		2022/12/27	
3 PLACES ± 0.2		CHK'D: SAKIYAMA								APPR: AIDA		2023/02/16	
2 PLACES ± 0.2		INITIAL REVISION:								DRWN: TAKAIKE		2019/08/01	
1 PLACE ± 0.2		APPR: AIDA								2019/08/20			
0 PLACES ± 0.2		DRAFT WHERE APPLICABLE MUST REMAIN WITHIN DIMENSIONS		THIRD ANGLE PROJECTION		DRAWING: A3-SIZE		SERIES: 205957					
MATERIAL NUMBER: SEE SHEET 5		CUSTOMER: GENERAL		SHEET NUMBER: 3 OF 5									

引き出し方向
PULL OUT DIRECTION



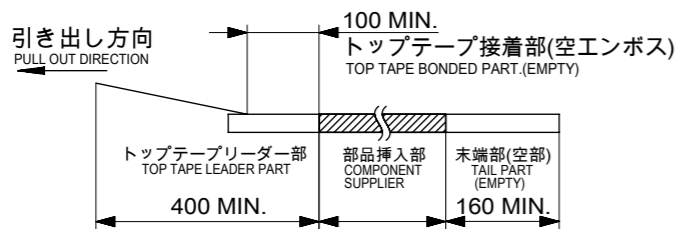
⑦リール
REEL



DETAIL "P"

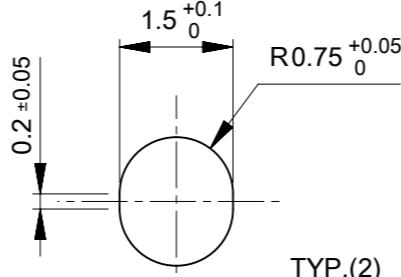
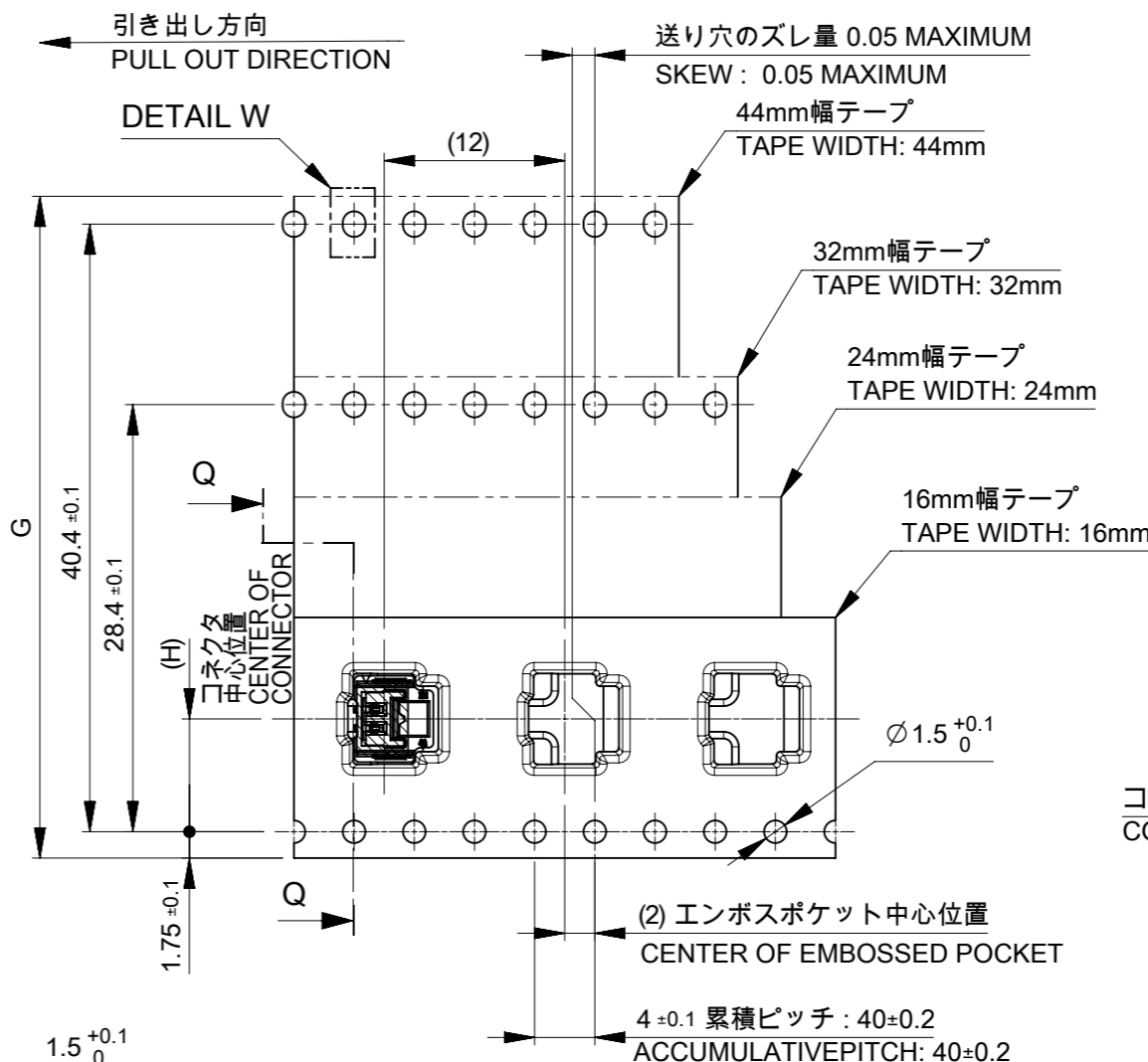
注記 NOTE

- 6. 梱包数量 : 1000個/リール
NUMBER OF CONNECTORS : 1000 PCS/REEL
- 7. リードテープ長さ
LEAD TAPE LENGTH.

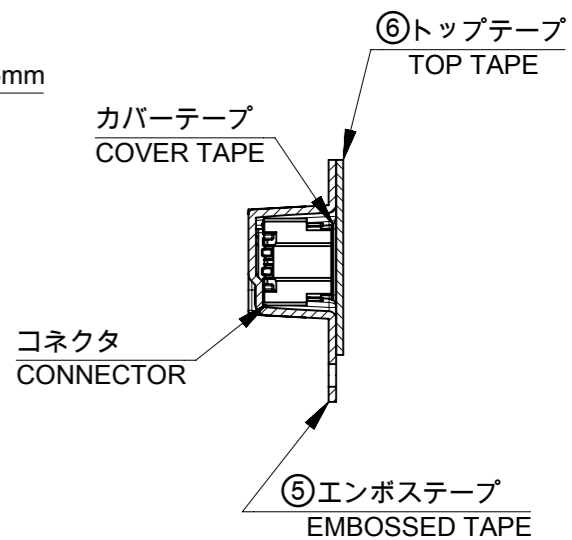


- 8. トップテープの剥離強度はIEC60286-3に準拠
TOP TAPE PEELING FORCE IS DEFINED BY IEC60286-3.

引き出し方向
PULL OUT DIRECTION



DETAIL W



SECTION Q-Q

					16
					15
					14
					13
					12
					11
					10
					9
					8
					7
					6
					5
					4
					3
					2
					極数
					CIRCUIT SIZE
20.2	44±0.3	45.4	49.4		
14.2	32±0.3	33.4	37.4		
11.5	24 ^{+0.3} _{-0.1}	25.4	29.4		
7.5	16 ^{+0.3} _{-0.1}	17.4	21.4		
H	G	F	E		

TABLE 2

番号 NO.	部品 PART	材質 MATERIAL
⑤	エンボステープ EMBOSSED TAPE	ポリスチレン(PS)、その他 POLYSTYRENE(PS), etc
⑥	トップテープ TOP TAPE	ポリエチレン(PE)、その他 POLYETHYLENE(PE), etc
⑦	リール REEL	ポリスチレン(PS) <リサイクル材を含む> POLYSTYRENE(PS) <RECYCLE MATERIAL CONTAINED >

THIS DRAWING CONTAINS INFORMATION THAT IS PROPRIETARY TO MOLEX ELECTRONIC TECHNOLOGIES, LLC AND SHOULD NOT BE USED WITHOUT WRITTEN PERMISSION

DIMENSION UNITS: mm SCALE: NTS

GENERAL TOLERANCES (UNLESS SPECIFIED): ANGULAR TOL ± 3.0°

4 PLACES ± 0.2
3 PLACES ± 0.2
2 PLACES ± 0.2
1 PLACE ± 0.2
0 PLACES ± 0.2

DRAFT WHERE APPLICABLE MUST REMAIN WITHIN DIMENSIONS

THIRD ANGLE PROJECTION

DRAWING: A3-SIZE

SERIES: 205957

MATERIAL NUMBER: SEE SHEET 5

CUSTOMER: GENERAL

SHEET NUMBER: 4 OF 5

CURRENT REV DESC:

EC NO: 736271
DRWN: SOKUMURA01 2022/12/27
CHK'D: SAKIYAMA 2023/02/16
APPR: AIDA 2023/02/16

INITIAL REVISION:
DRWN: TAKAIKE 2019/08/01
APPR: AIDA 2019/08/20

DOCUMENT NUMBER: 2059573000-SD

DOC TYPE: PSD

DOC PART: 000

REVISION: D

molex

MICRO-LOCK PLUS 1.25 W/B
SINGLE ROW VERTICAL SMT PLUG ASSEMBLY
FOR POTTING


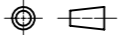
PRODUCT CUSTOMER DRAWING

△ 2 適合製品及び各種仕様書 APPLICABLE PRODUCTS AND VARIOUS SPECIFICATIONS

梱包仕様書 PACKAGING SPECIFICATION		2059579200-SPK PS 200	
適合嵌合相手 MATE WITH	シリーズ番号 SERIES NUMBER	204532	214526
	リテーナー対応 RETAINER APPLICABLE	NOT COMPLIANT	COMPLIANT
適合リテーナーシリーズ番号 APPLICABLE RETAINER SERIES NUMBER		-	214528
製品仕様書 PRODUCT SPECIFICATION		2045320001-PS PS 000	2145260001-PS PS 000
コネクタ取扱説明書 APPLICATION SPECIFICATION		5055650000-AS PS 000	

△ 5 205957**7* 発注番号一覧 ORDER NUMBER LIST

BLACK	NATURAL (WHITE)	HOUSING COLOR
2059571671	2059571670	16
2059571571	2059571570	15
2059571471	2059571470	14
2059571371	2059571370	13
2059571271	2059571270	12
2059571171	2059571170	11
2059571071	2059571070	10
2059570971	2059570970	9
2059570871	2059570870	8
2059570771	2059570770	7
2059570671	2059570670	6
2059570571	2059570570	5
2059570471	2059570470	4
2059570371	2059570370	3
2059570271	2059570270	2
発注番号 ORDER NUMBER		極数 CIRCUIT SIZE
梱包形態 : エンボステープ、リール PACKAGING STYLE : EMBOSSED TAPE AND REEL		

THIS DRAWING CONTAINS INFORMATION THAT IS PROPRIETARY TO MOLEX ELECTRONIC TECHNOLOGIES, LLC AND SHOULD NOT BE USED WITHOUT WRITTEN PERMISSION									
DIMENSION UNITS mm	SCALE NTS	CURRENT REV DESC:			 MICRO-LOCK PLUS 1.25 W/B SINGLE ROW VERTICAL SMT PLUG ASSEMBLY FOR POTTING				
GENERAL TOLERANCES (UNLESS SPECIFIED)		EC NO: 736271							
ANGULAR TOL ± 3.0 °	4 PLACES ± 0.2	DRWN: SOKUMURA01	2022/12/27		PRODUCT CUSTOMER DRAWING				
3 PLACES ± 0.2	2 PLACES ± 0.2	CHK'D: SAKIYAMA	2023/02/16						
1 PLACE ± 0.2	0 PLACES ± 0.2	APPR: AIDA	2023/02/16		DOCUMENT NUMBER		DOC TYPE	DOC PART	REVISION
DRAFT WHERE APPLICABLE MUST REMAIN WITHIN DIMENSIONS		INITIAL REVISION: DRWN: TAKAIKE APPR: AIDA		2019/08/01 2019/08/20	2059573000-SD		PSD	000	D
THIRD ANGLE PROJECTION 		DRAWING A3-SIZE	SERIES 205957	MATERIAL NUMBER SEE CHART	CUSTOMER GENERAL		SHEET NUMBER 5 OF 5		

DOCUMENT STATUS	P1	RELEASE DATE	2023/02/16	15:22:34
-----------------	----	--------------	------------	----------