

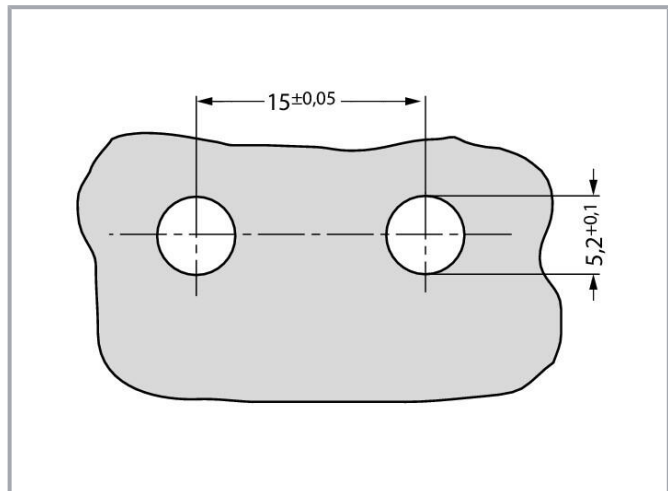
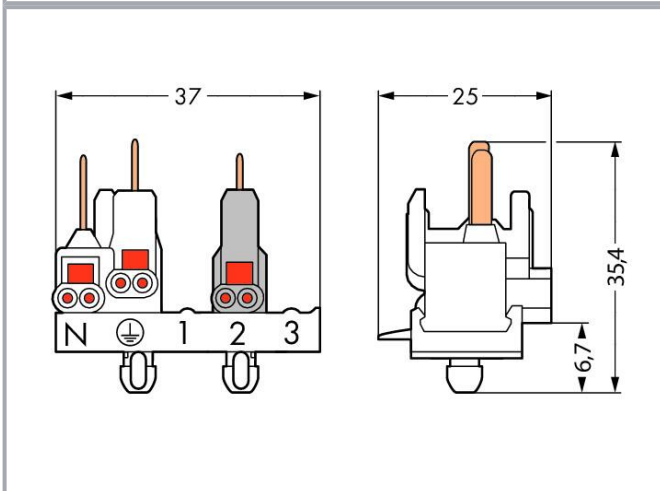
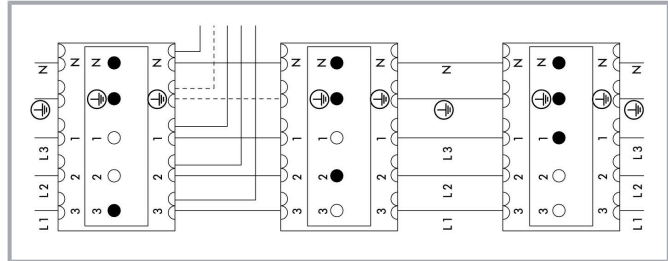
Data sheet | Item number: 277-124

Male connector; 4-pole; 1,00 mm²; white/gray

www.wago.com/277-124



 Picture differs from the item.



Item description

- Flexible connection system with PUSH WIRE[®] connection
- Phase selection

Subject to changes. Please also observe the further product documentation!

WAGO GmbH & Co. KG

Hansastr. 27

32423 Minden

Phone: +49571 887-0 | Fax: +49571 887-169

Email: info.de@wago.com | Web: www.wago.com

Do you have any questions about our products?

We are always happy to take your call at +49 (571) 887-44222.



Data

Electrical data

Ratings per IEC/EN

| | |
|-------------------------------|---|
| Ratings per | IEC/EN 60664-1 |
| Rated voltage (III/2) | 400 V |
| Rated impulse voltage (III/2) | 4 kV |
| Rated current | 10 A |
| Legend (ratings) | (III / 2) $\hat{=}$ Overvoltage category III / Pollution degree 2 |

Connection data

| | |
|----------------------------|---|
| Number of connection types | 1 |
|----------------------------|---|

Connection 1

| | |
|-----------------------|---|
| Connection technology | PUSH WIRE [®] |
| Solid conductor | 0.5 ... 1 mm ² / 20 ... 18 AWG |
| Strip length | 10 ... 11 mm / 0.39 ... 0.43 inches |
| Pole number | 4 |

Physical data

| | |
|--------|------------------------|
| Width | 25 mm / 0.984 inches |
| Height | 35.4 mm / 1.394 inches |
| Depth | 37 mm / 1.457 inches |

Material Data

| | |
|-----------------------------|--|
| Note (material data) | Information on material specifications can be found here |
| Color | white/gray |
| Material group | I |
| Insulation material | Polyamide (PA66) |
| Flammability class per UL94 | V2 |
| Clamping spring material | Chrome-nickel spring steel (CrNi) |
| Contact material | Electrolytic copper (E _{Cu}) |
| Contact plating | Tin |

Subject to changes. Please also observe the further product documentation!

| | |
|-----------|---------|
| Fire load | 0.17 MJ |
| Weight | 10.5 g |

Environmental requirements

| | |
|-----------------------|--------|
| Temperature stability | 105 °C |
|-----------------------|--------|

Commercial data




| | |
|-----------------------|---------------|
| eCl@ss 10.0 | 27-44-03-14 |
| eCl@ss 9.0 | 27-44-03-14 |
| ETIM 8.0 | EC000458 |
| ETIM 7.0 | EC000458 |
| PU (SPU) | 500 pcs |
| Packaging type | box |
| Country of origin | DE |
| GTIN | 4044918507394 |
| Customs tariff number | 85366990990 |

Environmental Product Compliance

| | |
|------------------------|-------------------------|
| RoHS Compliance Status | Compliant, No Exemption |
|------------------------|-------------------------|

Approvals / Certificates

General approvals

| Logo | Approval | Additional Approval Text | Certificate name |
|--|--|--------------------------|------------------|
|  | CSA DEKRA Certification B.V. | C22.2 | 70048855 |
|  | UL UL International Germany GmbH | UL 1977 | E45171 |
|  | UR Underwriters Laboratories Inc. | UL 1059 | E45172 |
| | VDE VDE Prüf- und Zertifizierungsinstitut | EN 61984 | 40029569 |

Subject to changes. Please also observe the further product documentation!

WAGO GmbH & Co. KG
 Hansastr. 27
 32423 Minden
 Phone: +49571 887-0 | Fax: +49571 887-169
 Email: info.de@wago.com | Web: www.wago.com

Do you have any questions about our products?
 We are always happy to take your call at +49 (571) 887-44222.



Downloads

Documentation

Additional Information

| | | | |
|------------------------|------------|--------|----------|
| Technical Section | 2019 Apr 3 | pdf | Download |
| Technical explanations | | 2.0 MB | |

CAD/CAE-Data

CAE data

| | | |
|---------------------------|-----|----------|
| EPLAN Data Portal 277-124 | URL | Download |
| WSCAD Universe 277-124 | URL | Download |

Environmental Product Compliance

Compliance Search

| | | |
|---|-----|----------|
| Environmental Product Compliance 277-124 | URL | Download |
| Male connector; 4-pole; 1,00 mm ² ; white/gray | | |

Installation Notes

Subject to changes. Please also observe the further product documentation!