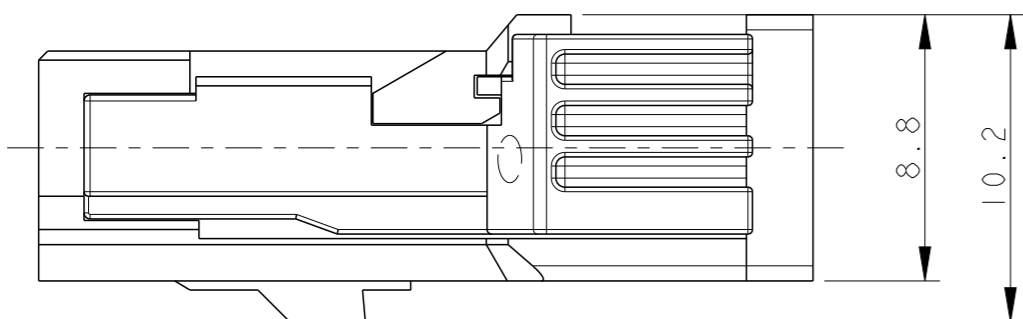


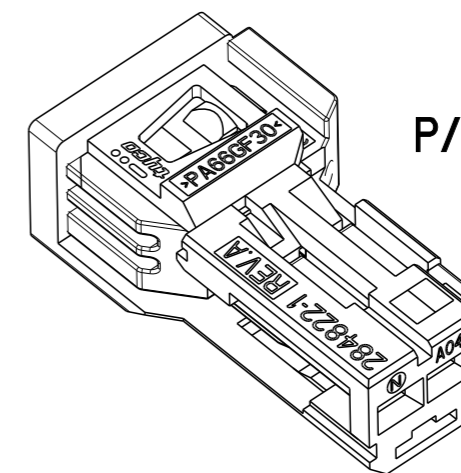
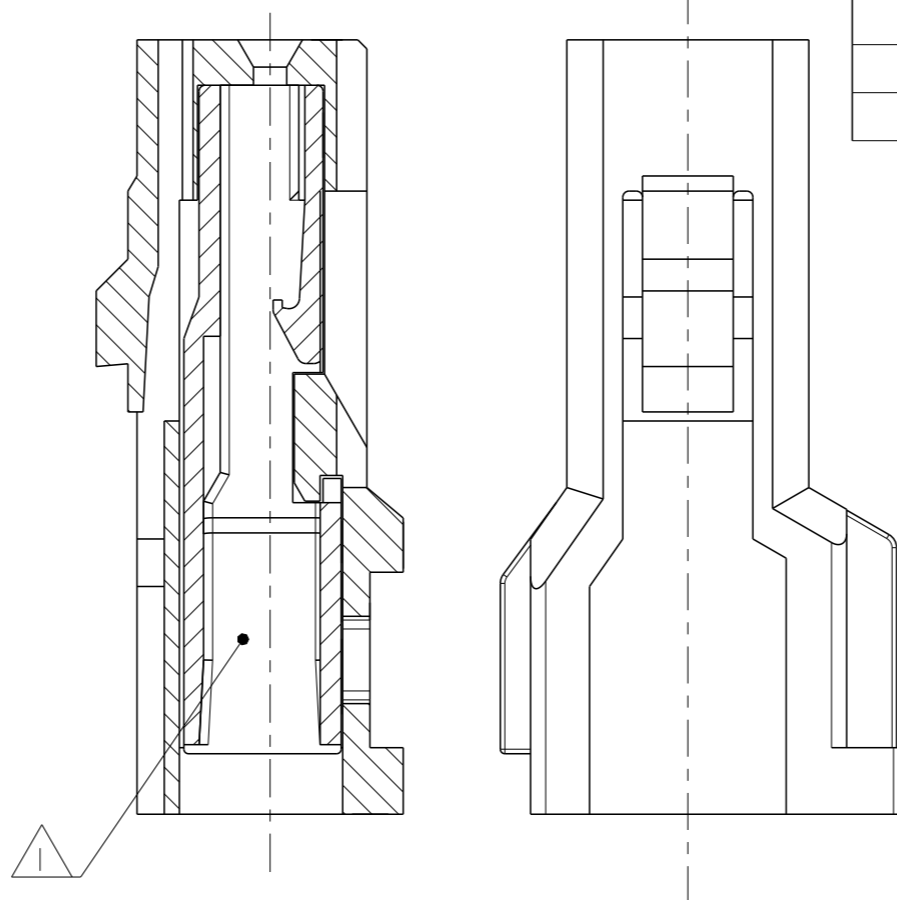
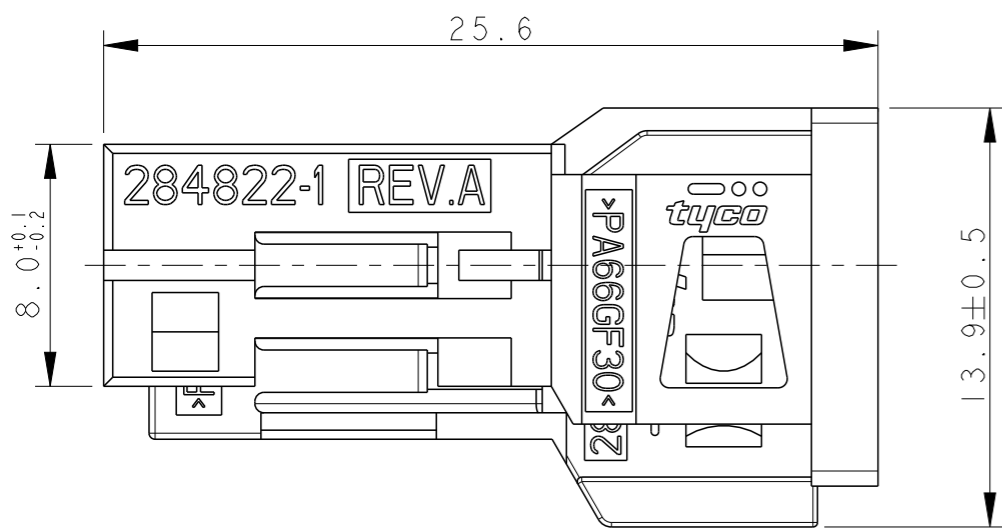
REVISIONS

P	LTR	DESCRIPTION	DATE	DWN	APVD
A3		RELEASE -2 VERS.(ECR-15-012020)	24AUG2015	M.G.	M.G.

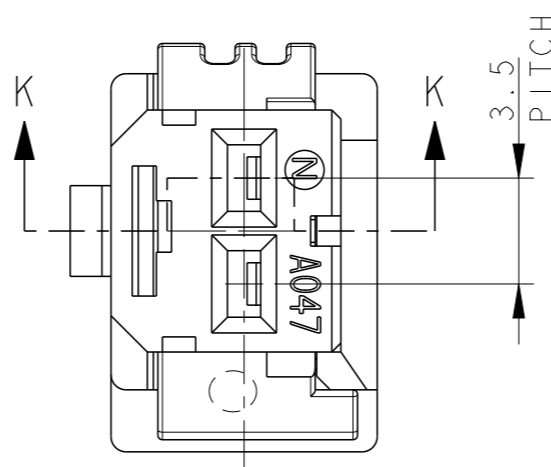
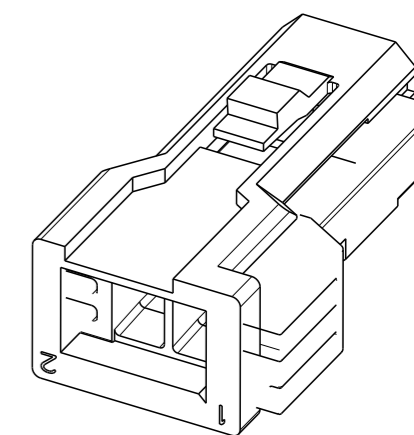
SECTION K-K



PRE-ASSEMBLED POSITION

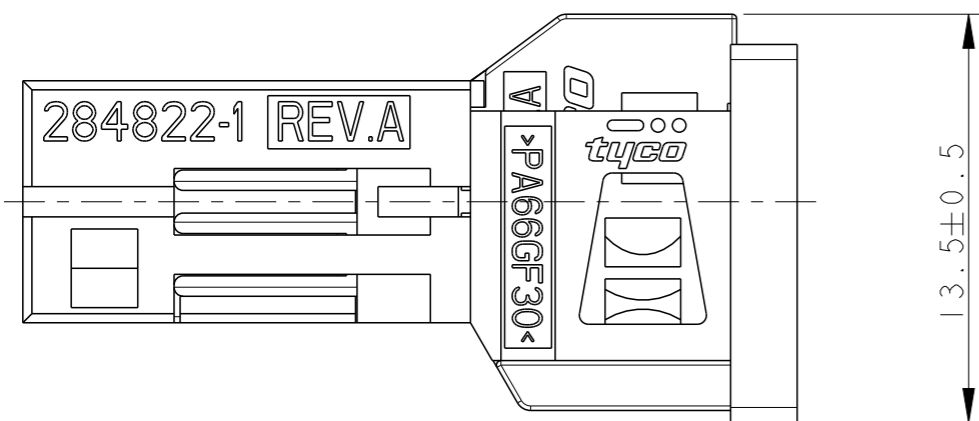


P/N 284820-1 AS SHOWN



- 1) CAVITIES SUITABLE FOR .070 FEMALE MULTILOCK NEW GEN. CONTACT P/N 284087-1, 284088-1, 284166-1
- 2) CONNECTOR SUPPLIED IN PRE-ASSEMBLED POSITION
- 3) SUITABLE TO BE MATED WITH MALE CONNECTOR P/N 174460-1 FOR COUNTERPART DRAWING SEE SHEET 2

SECONDARY LOCK CLOSED



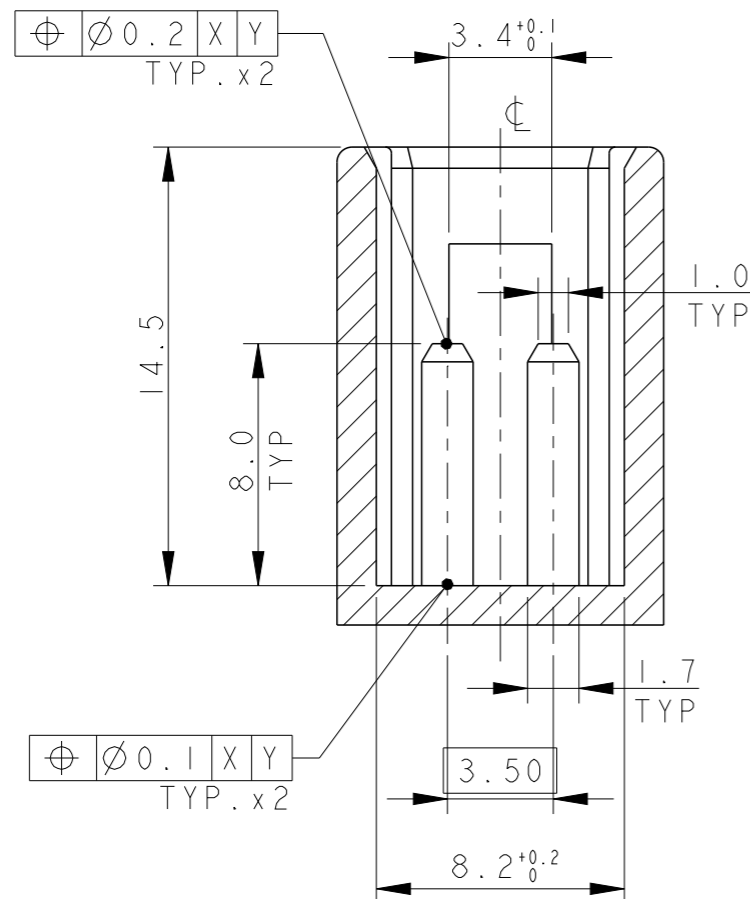
-	BLACK	PA66-GF	284820-2
-	WHITE		284820-1
NOTE	COLOR	MATERIAL	P/N

THIS DRAWING IS A CONTROLLED DOCUMENT.		DWN P. ZAMPIROLO 20MAR2001		TE Connectivity	
DIMENSIONS: mm		CHK O. CANUTO 20MAR2001			
TOLERANCES UNLESS OTHERWISE SPECIFIED:		APVD O. CANUTO 20MAR2001		NAME -	
0 PLC ±0.5		PRODUCT SPEC 108-20175		2W CONNECTOR FOR .070 N.G. MULTILOCK CONTACTS	
1 PLC ±0.3		APPLICATION SPEC -		SIZE A3 CAGE CODE - DRAWING NO C-284820 RESTRICTED TO -	
2 PLC ±0.1		WEIGHT 1,4gr		SCALE 4:1 SHEET 1 OF 2 REV A3	
3 PLC ±		Customer Drawing			
4 PLC ±					
ANGLES ±°					
MATERIAL -					
FINISH -					
SEE TABLE					
SEE TABLE					

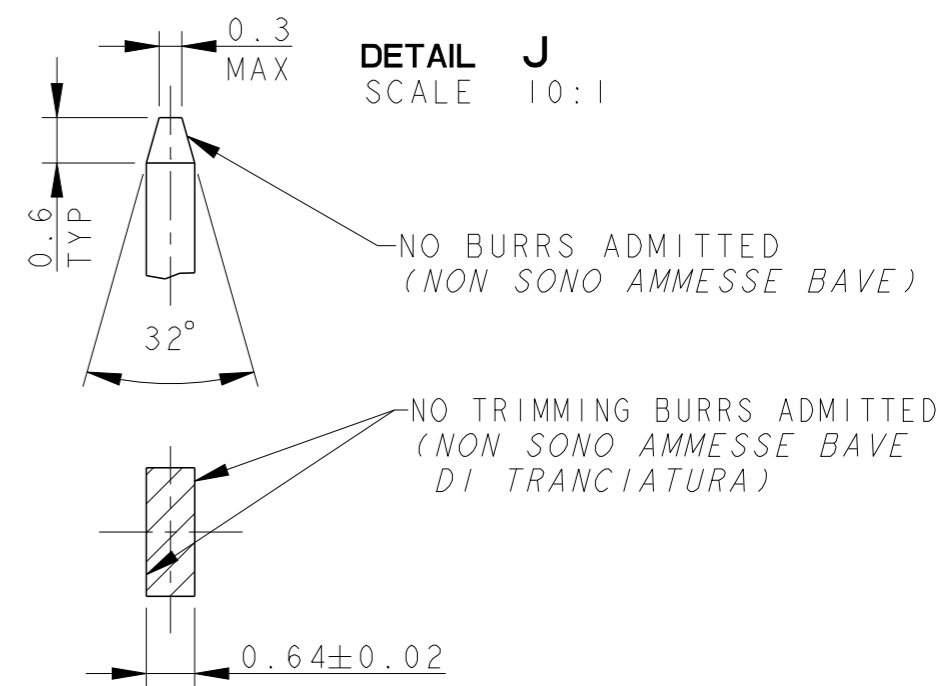
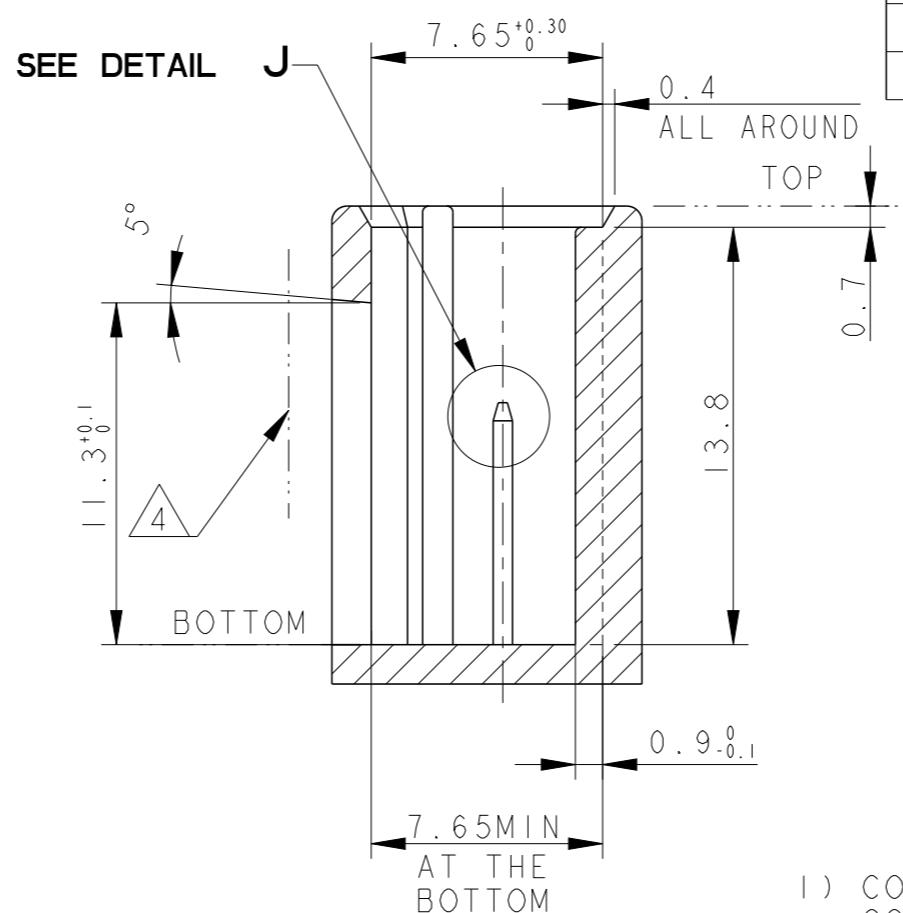
REVISIONS

P	LTR	DESCRIPTION	DATE	DWN	APVD
-	-	SEE SHEET 1	-	-	-

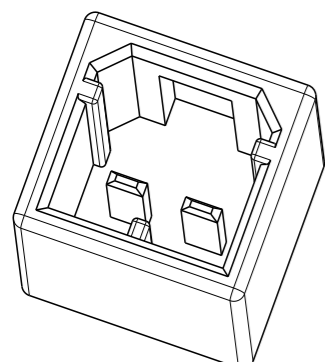
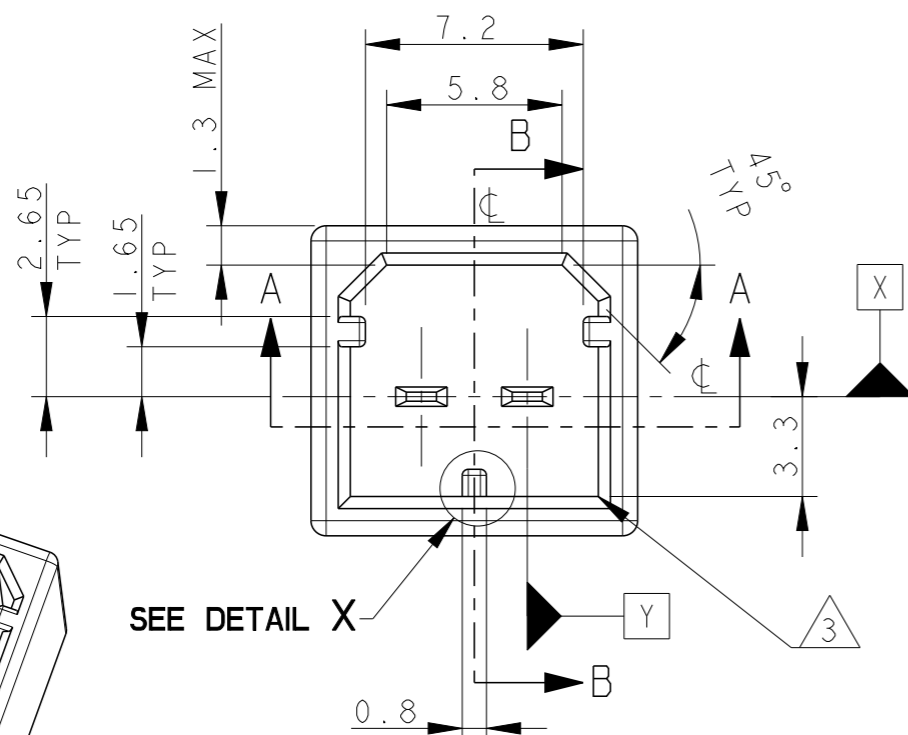
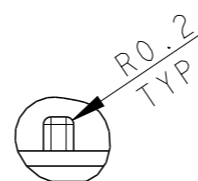
SECTION A-A



SECTION B-B



DETAIL X
SCALE 5:1



1) COUNTERPART SUITABLE FOR 2W RECEPTACLE CONNECTOR FOR .070 NEW GEN. CONTACT (DIMA ADATTA PER CONNETTORE 2 VIE PER CONTATTI 070 NEW GENERATION)

2 MATERIALS (MATERIALI):
 BODY: PA66 GLASS FIBER FILLED
 TABS: BRASS TIN PLATED TEMPER 4
 (CORPO: POLIAMMIDE CARICATA VETRO
 CONTATTI: OTTONE TEMPRA 4 STAGNATO)

3 UNLESS OTHERWISE SPECIFIED R0.3 MAX (SPIGOLI INTERNI R0.3 MAX SE NON DIVERSAMENTE SPECIFICATO)

4 THIS SIDE MUST BE FREE TO ALLOW PUSHING THE LOCKING LANCE ON THE PLUG CONNECTOR (LATO DA LASCIARE LIBERO PER ACCEDERE ALLA LANCIA D'AGGANCIO DEL CONNETTORE)

THIS DRAWING IS A CONTROLLED DOCUMENT.		DWN P. ZAMPIROLO 20MAR2001	TE Connectivity	
DIMENSIONS: mm		CHK O. CANUTO 20MAR2001		
TOLERANCES UNLESS OTHERWISE SPECIFIED:		APVD O. CANUTO 20MAR2001	NAME -	
0 PLC ±0.3		PRODUCT SPEC 108-20175	2W CONNECTOR FOR .070 N.G. MULTILOCK CONTACTS	
1 PLC ±0.1		APPLICATION SPEC -	SIZE A3	CAGE CODE -
2 PLC ±0.05		WEIGHT -	DRAWING NO C-284820	RESTRICTED TO -
3 PLC ±			SCALE 4:1	SHEET 2 OF 2
4 PLC ±				REV A3
ANGLES ±1°				
FINISH				
MATERIAL				