

4

3

2

1

THIS DRAWING IS UNPUBLISHED.

RELEASED FOR PUBLICATION

-,-

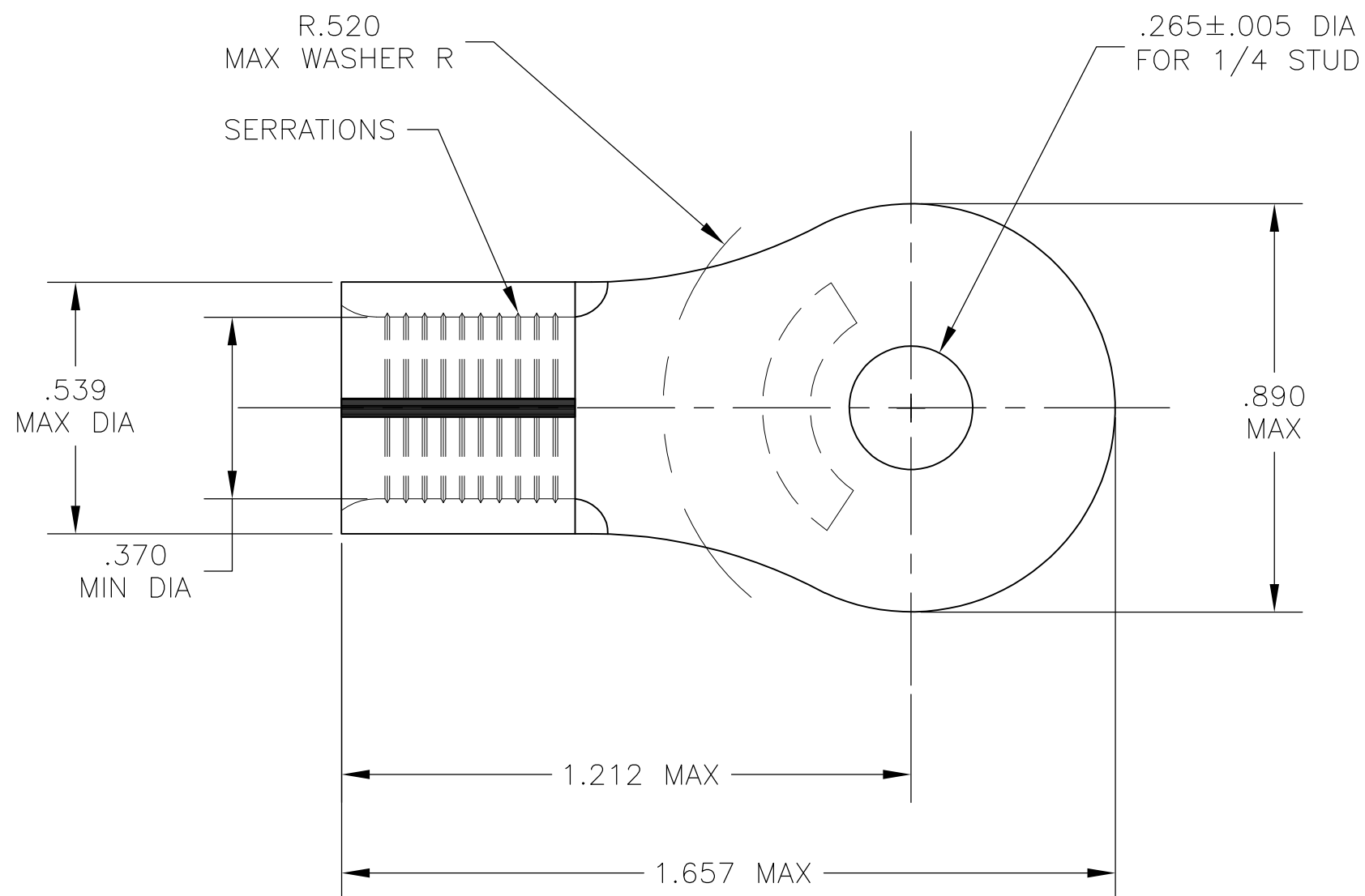
© COPYRIGHT - By -

ALL RIGHTS RESERVED.

LOC
GDIST
14

REVISIONS

P	LTR	DESCRIPTION	DATE	DWN	APVD
	F1	REVISED PER ECO-15-006978	08JUN2015	NK	MM



- 1 TONGUE MATERIAL THK IS $.070 \pm .003$.
- 2 COPPER PER ASTM B152.
- 3 TIN PLATE PER ASTM B545, ANNEALED.

1	WIRE TERMINAL	320138
QTY	DESCRIPTION	PART NO
STE TE Connectivity		
WIRE TERMINAL SOLISTRAND - RING TONGUE WIRE SIZE: #2		
SIZE	CAGE CODE	DRAWING NO
A3	00779	C-320138
CUSTOMER DRAWING		RESTRICTED TO
SCALE 3:1		REV F1
SHEET 1 OF 1		

THIS DRAWING IS A CONTROLLED DOCUMENT.		DWN jr_ruth 25MAY04
DIMENSIONS: INCHES		CHK MJ SPICER 25MAY04
TOLERANCES UNLESS OTHERWISE SPECIFIED:		APVD MJ SPICER 25MAY04
0 PLC ± -		PRODUCT SPEC
1 PLC ± -		APPLICATION SPEC
2 PLC ± -		WEIGHT
3 PLC ± .008		
4 PLC ± -		
ANGLES ± 5°		
MATERIAL	FINISH	
2	3	