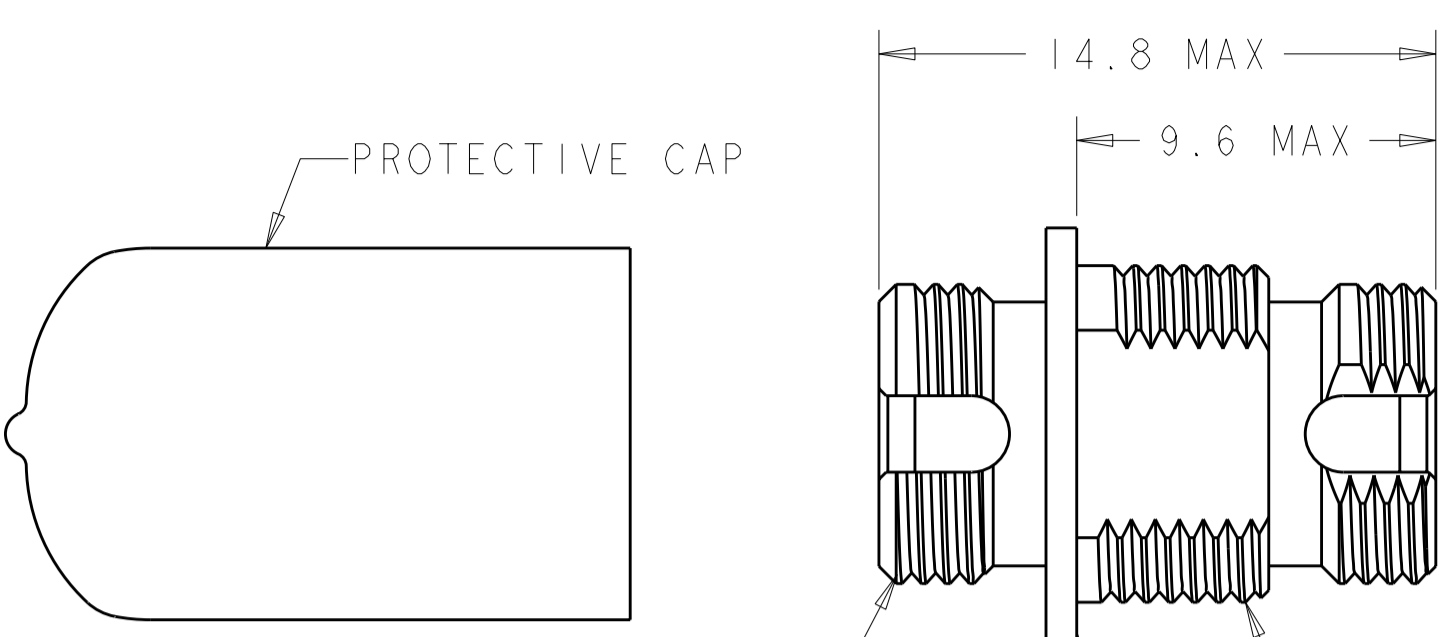


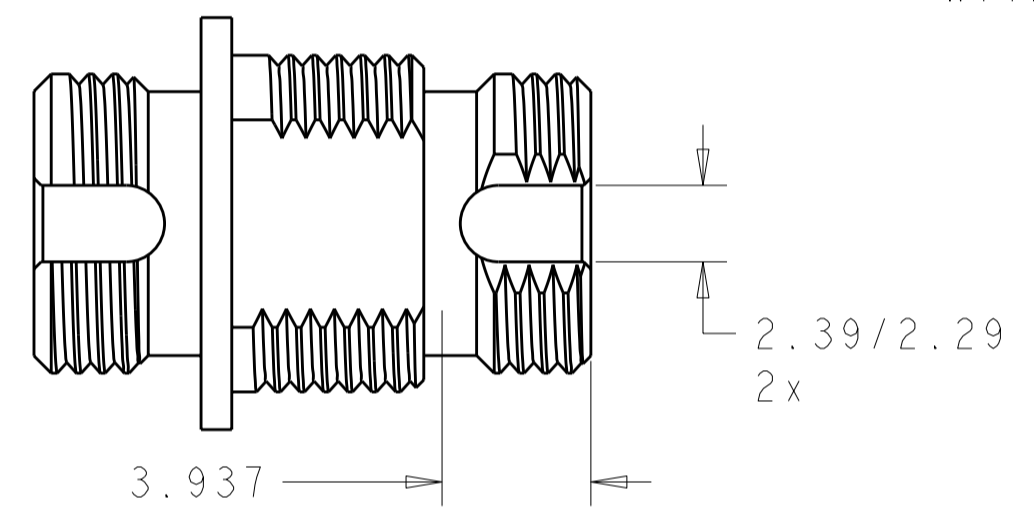
THIS DRAWING IS UNPUBLISHED. RELEASED FOR PUBLICATION 20
 © COPYRIGHT 20 BY TYCO ELECTRONICS CORPORATION. ALL RIGHTS RESERVED.

| LOC | DIST | REVISIONS | | | |
|-----|------|---------------------------|-----------|-----|------|
| P | LTR | DESCRIPTION | DATE | DWN | APVD |
| CE | 00 | | | | |
| P | | REVISE PER 0A00-0411-04 | 09AUG2004 | BB | SB |
| PI | | REVISED PER ECO-09-025699 | 31DEC2009 | KK | AEG |

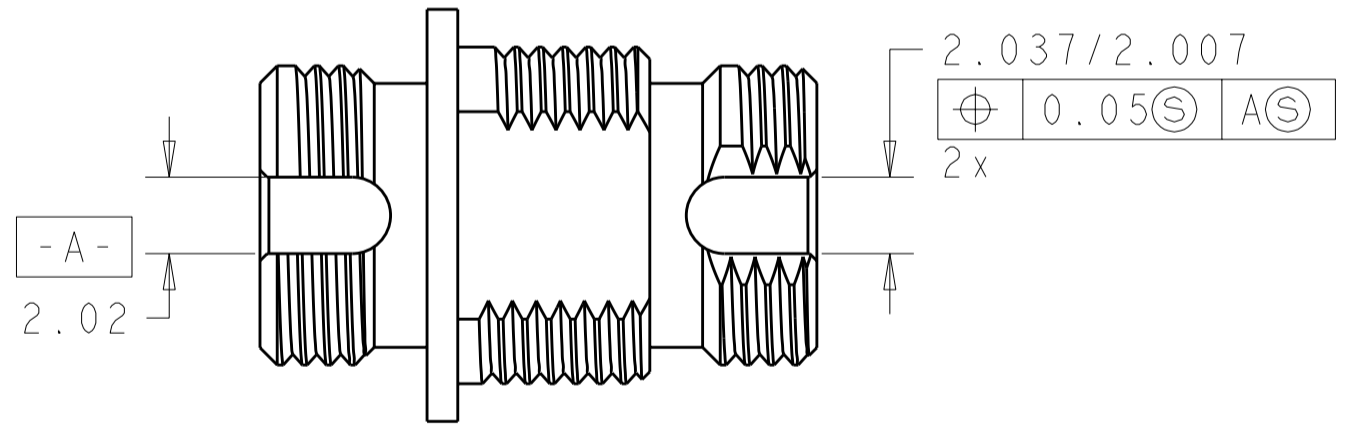


M8 x 0.75-6g BOTH ENDS
 M9 x 0.75-6g
 HOUSING ADAPTER WITH SLEEVE
 LOCKWASHER
 M9 x 0.75-6H HEX NUT

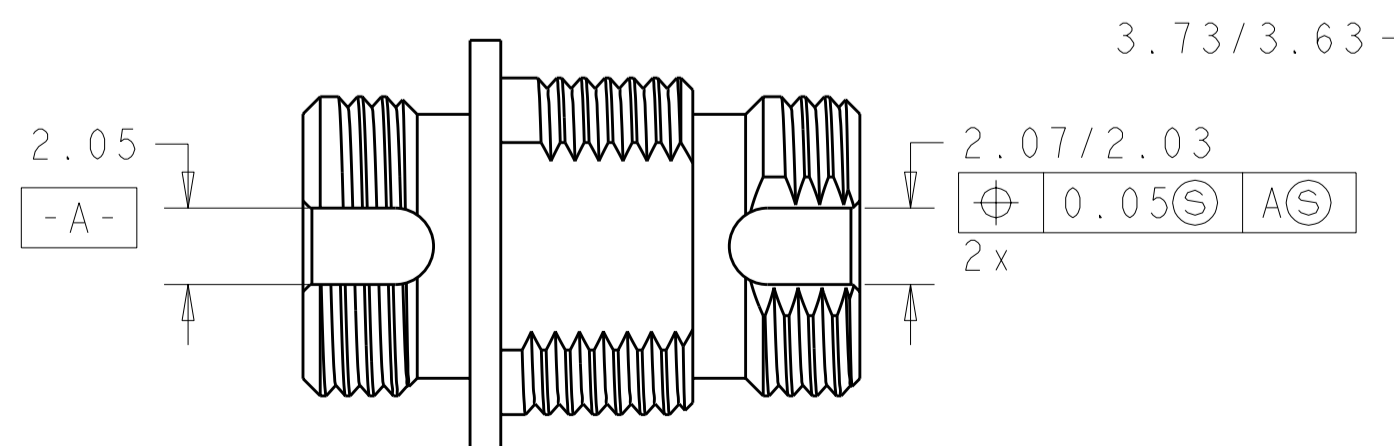
- 1 MATERIAL:
 HOUSING, INSERT, HEX NUT: COPPER ALLOY
 SLEEVE: SEE TABLE
 LOCK WASHER: STEEL
 PROTECTIVE CAP: VINYL
- 2 FINISH:
 HOUSING, INSERT, HEX NUT, LOCK WASHER: NICKEL PLATE.
- 3 BULK PACKAGED.
- 4 MAXIMUM RECOMMENDED PANEL THICKNESS 1.65.
- 5 OBSOLETE PARTS: OBSOLETE CIS STREAMLINING PER D.RENAUD/D.SINISI



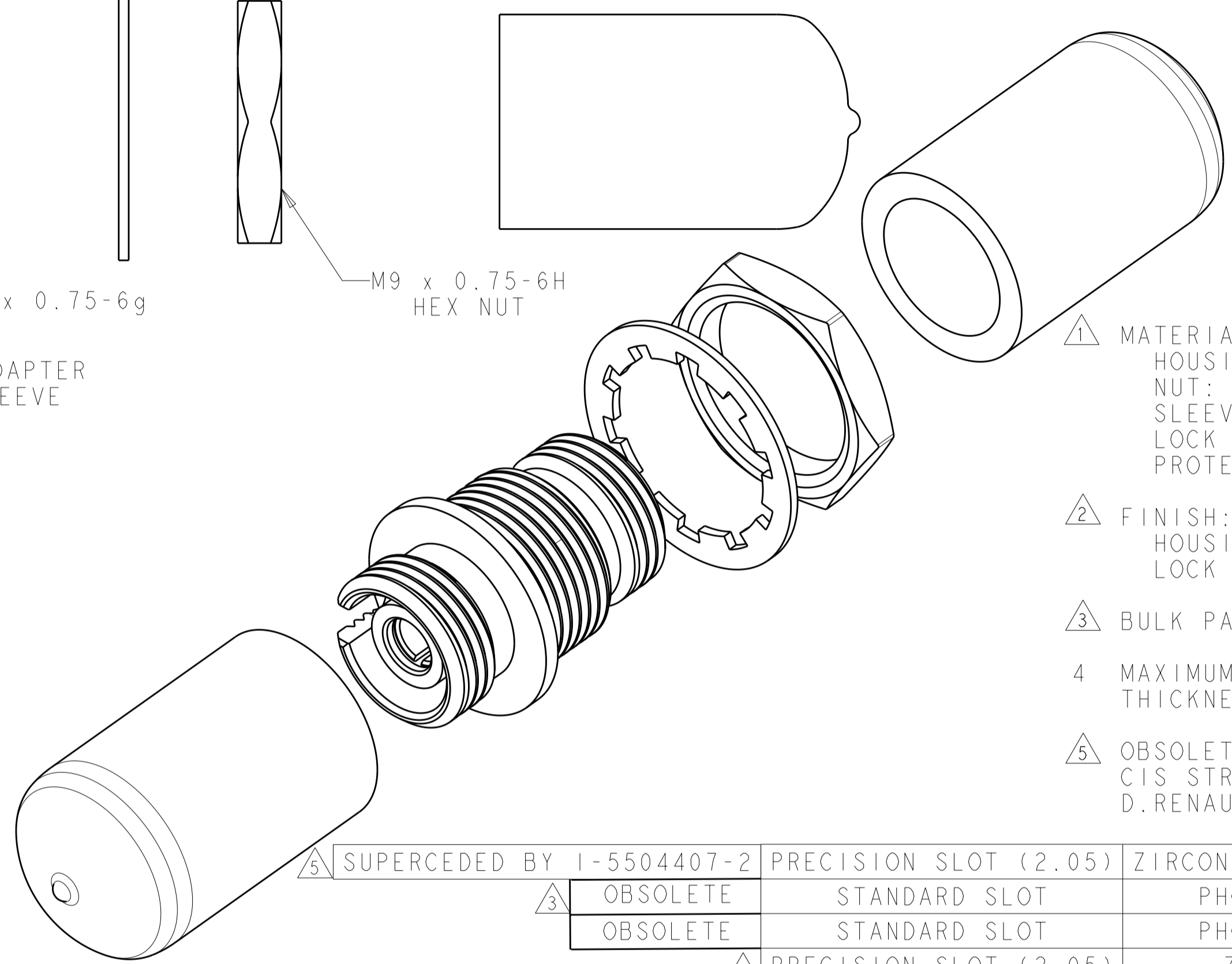
STANDARD SLOT



PRECISION SLOT (2.02)



PRECISION SLOT (2.05)



| DESCRIPTION | SLEEVE MATERIAL | PART NUMBER |
|-------------------------------|--------------------------------|--------------------------------|
| 5 3 SUPERCEDED BY 1-5504407-2 | PRECISION SLOT (2.05) | ZIRCONIA (LOW LOSS) 1-504407-2 |
| 3 | OBSOLETE STANDARD SLOT | PHOS BRONZE 1-504407-1 |
| 3 | OBSOLETE STANDARD SLOT | PHOS BRONZE 1-504407-0 |
| 3 | PRECISION SLOT (2.05) | ZIRCONIA 504407-9 |
| | PRECISION SLOT (2.05) | ZIRCONIA 504407-8 |
| | PRECISION SLOT (2.02) | ZIRCONIA 504407-7 |
| 5 3 SUPERCEDED BY 5504407-6 | PRECISION SLOT (2.02) | ZIRCONIA 504407-6 |
| 3 | OBSOLETE PRECISION SLOT (2.02) | PHOS BRONZE 504407-5 |
| 3 | STANDARD SLOT | ZIRCONIA 504407-4 |
| | STANDARD SLOT | ZIRCONIA 504407-3 |
| 5 3 SUPERCEDED BY 5504407-2 | STANDARD SLOT | PHOS BRONZE 504407-2 |
| | STANDARD SLOT | PHOS BRONZE 504407-1 |

| | | | |
|---|--|---|---|
| THIS DRAWING IS A CONTROLLED DOCUMENT FOR TYCO ELECTRONICS CORPORATION. IT IS SUBJECT TO CHANGE AND THE CONTROLLING ENGINEERING ORGANIZATION SHOULD BE CONTACTED FOR THE LATEST REVISION. | | DWN B. BRIGGS 09AUG2004 CHK S. BUCHTER 09AUG2004 APVD S. BUCHTER 09AUG2004 | Tyco Electronics Harrisburg, PA 17105-3608 |
| DIMENSIONS: mm TOLERANCES UNLESS OTHERWISE SPECIFIED: 0 PLC ± 1 PLC ± 2 PLC ±0.25 3 PLC ± 4 PLC ± ANGLES ± FINISH | PRODUCT SPEC APPLICATION SPEC WEIGHT CUSTOMER DRAWING | NAME ADAPTER KIT, FC, PRECISION AND STANDARD SLOT SIZE A2 CAGE CODE 00779 DRAWING NO. 504407 | RESTRICTED TO SHEET 1 OF 1 REV PI |