



Diode module, With 7 diodes, Common cathode, Screw connection, Mounting type: Mounting rail TS 35

Business data

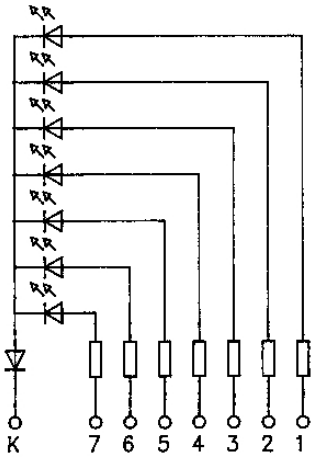
Article number	<u>5752.2</u>
Article name	AM 7 K/24
GTIN (EAN)	4044211069537
Packaging unit	1
Quantity unit	PC
Weight per piece (not including packaging)	62 g
Weight per piece (including packaging)	89.8 g
Unit of weight	G
Customs number	85414010
Country of origin	NL
Product description	Display module

Technical data

Environmental Product Compliance

REACH Conform	yes
REACH Reference date	2022-01-17
REACH Candidate Substance Note	No
RoHS Conform	yes

Media



Accessories
