

# AR1086CHSST



Sample image

**Order symbol:** AR1086CHSST

**Product nbr:** 8561053

**Description:** PC Enclosure

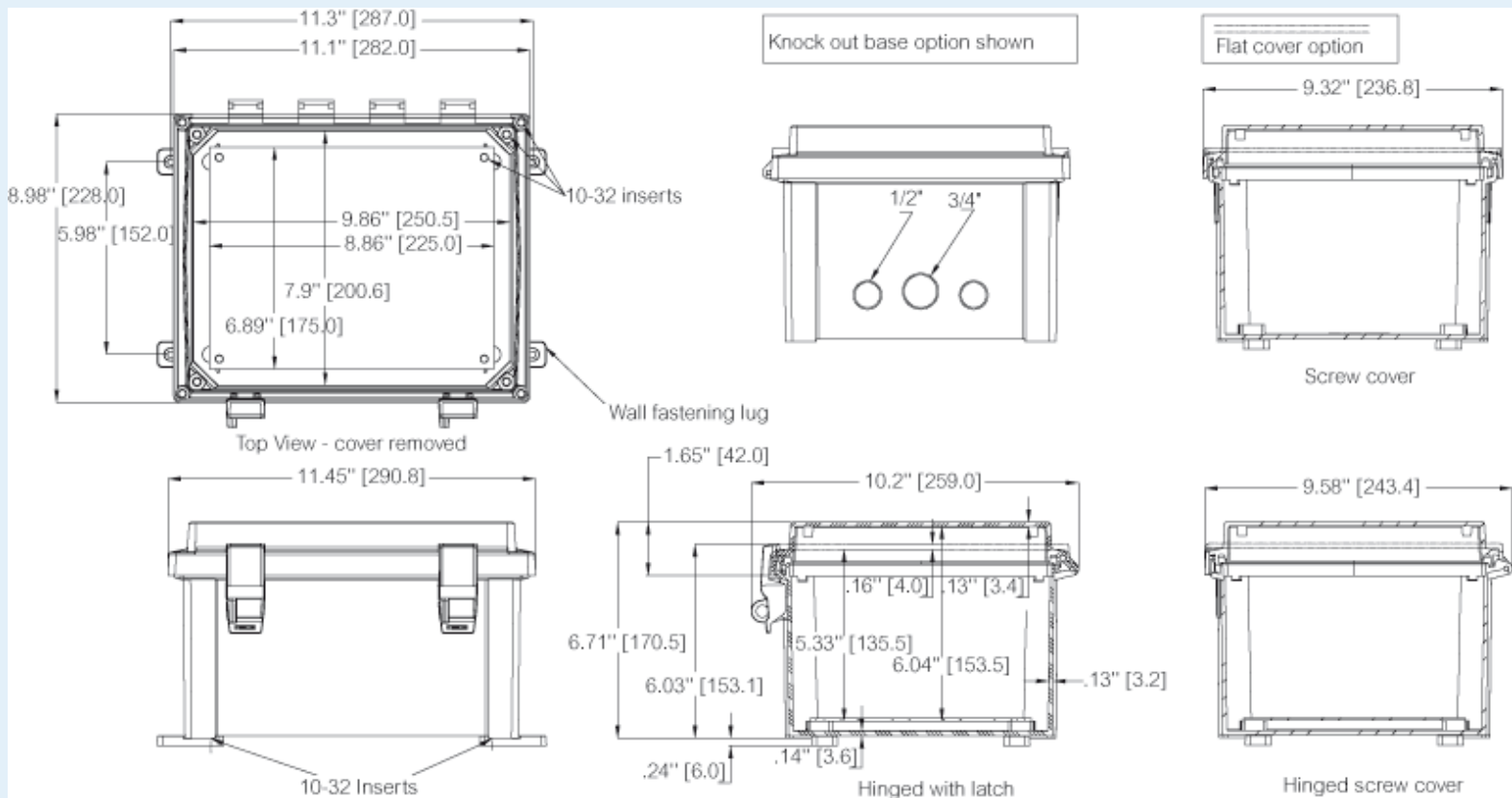
**Remarks:** Hinged transparent cover w/S.S. Quick release latch

**EAN:** 6418074067111

**El. number:**

- Finland:
- Denmark:
- Sweden:

**Including:** Hinged cover. Base with 10-32 brass inserts, latched cover with formed in place PUR gasket, stainless hinge pin. Quick release latches. Enclosure mounting foot kit. Accessory 10-32 screws for panel mounting.



Dimensions:	Height	Width	Depth
mm:	254	203	152

Accessories:
ASPHK10      Swing Panel Kit w/o Panel

inch: 10 8 6

**Materials:**

Material: Polycarbonate  
Base colour: RAL 7035 -light grey  
Cover colour: Transparent  
Gasket material: Polyurethane

**Temperatures:**

Temperature °C (short term):: -40 ... 140  
Temperature °C (continuous): -40 ... 80  
Temperature °F (short term): -40 ... 250  
Temperature °F (continuous): -40 ... 175

ABP108 Painted Steel Back Panel  
(226 x 175)  
ADFP108 Dead Front Panel w/ screws  
(208 x 256 x 0)  
ASP108 Aluminum Swing Panel  
(204.5 x 255 x 0)  
ASPK108 Swing Panel Kit incl. Panel  
ALBP108 Aluminum Back Panel  
(226 x 175)  
AMFL8 8" Mounting Flange Set  
APBP108 PVC Back Panel  
(226 x 175)

**Rating:**

Ingress protection (EN 60529): IP66; IP67;  
Impact Resistance (EN 62262): IK09;  
Electrical insulation: Not insulated  
Halogen free (DIN/VDE 0472,  
Part 815): 1  
UV resistance: UL 508  
Flammability Rating: UL 508  
Glow Wire Test (IEC 695-2-1)  
°C: 960 °C  
NEMA Class NEMA 4, 4X, 6, 6P, 12, 12K  
and 13

**Certificates:**

ARCA\_CertificateofCompliance