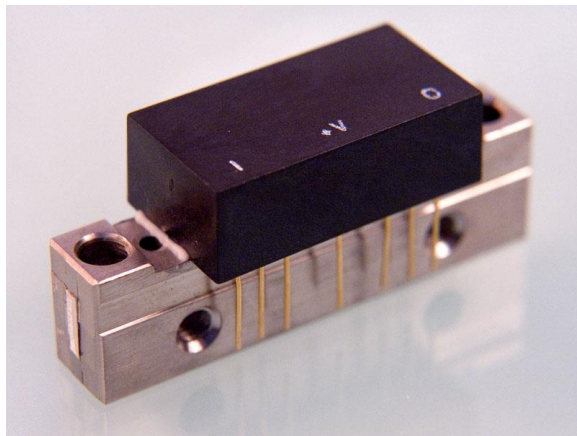


Features: (typical values)

- Output Power – 1500mW. @ 1dB. compression, f=200 MHz
- Low Noise Figure – 4.0 dB.
- IP3 – 46 dBm. @ f = 200 MHz
- IP2 – 75 dBm.
- Usable for 50 – 100 ohm systems
- Unconditional Stability

**1 – 200 MHz
35.0 dB CATV Wideband Linear
Amplifier**



Maximum Ratings

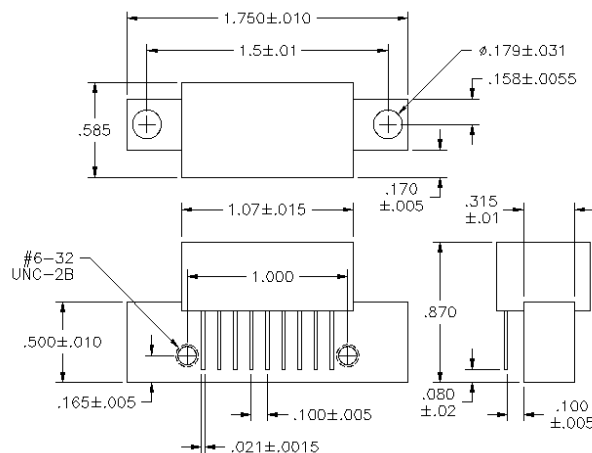
Storage temperature -55°C to +125°C
 DC Operating Voltage +28.0 volts
 RF Input Voltage +5 dBm. Max.
 Operating Base Temp. -40 to +90°C

Specifications @ Tcase = 25°C, Vcc = 24V, 50 ohm systems unless otherwise noted.

Parameter	Typical Conditions	Min Value	Max Value	Units
Frequency Range		1	200	MHz.
Power Gain	35.5	34.0	37.0	dB.
Gain Flatness (peak to peak)	0.5		1.0	dB.
Input VSWR	1.5		2.0:1	-
Output VSWR	1.5		2.0:1	-
Noise Figure (f = 200mhz)	4.5		6.5	dB.
Power Output- 1dB Compression (f = 1-200 MHz)	1500	1260		mW.
Power Output- 1 dB Compression (f=150 MHz)	1500			mW.
Third Order Intercept (IP3)	46	45		dBm.
Second Order Intercept (IP2)	75	60		dBm.
Peak Envelope Power (PEP)	900	600		mW.
Supply Current	370		500	mA.

Pin Configuration

PIN#	Description
1	Input
2,3,7,8	Ground
5	+V.
9	Output
4, 6	Not used



FINAL ELECTRICAL TEST REPORT
RECORD DATA @ +25°C ONLY

TEST Vdc +24V	LIMITS 0°C/+25°C/+85°C	ACTUAL DATA
Gain 1 MHz to 200 MHz	34.5 dB min 37.5 dB max	35.3 36.0
Gain Flatness 1 MHz to 200 MHz	1.5 dB p-p max	0.7
DC Current at +24 Vdc	500 mA max	359
Input VSWR 1 MHz to 200 MHz	2.0:1 max	1.75
Output VSWR 1 MHz to 200 MHz	2.0: 1 max	1.71
Noise Figure 1 MHz to 200 MHz	6.5 dB max	4.03
P 1.0 dB Compression 1 MHz to 200 MHz	1260 mW min (31 dBm)	31.2
P 1.0 dB Compression @ 150 MHz	1778 mW Typ (32.5 dBm)	32.6
IP3 with Pout = +15.0 dBm 1) F(1,2)= 2, 3 MHz Fc(1,4 MHz) 2) F(1,2)= 148, 149 MHz Fc(147, 150 MHz)	+45.0 dB min	45.5
IP2 with Pout = +15.0 dBm 1) F(1,2)= 200, 198 MHz Fc(2.0 MHz) 2) F(1,2)= 198, 2 MHz Fc(200 MHz)	+60.0 dB min	67.0
Stability Test For all frequency range Where $ S_{21} > 0\text{dB}$	0 dB max	<0

