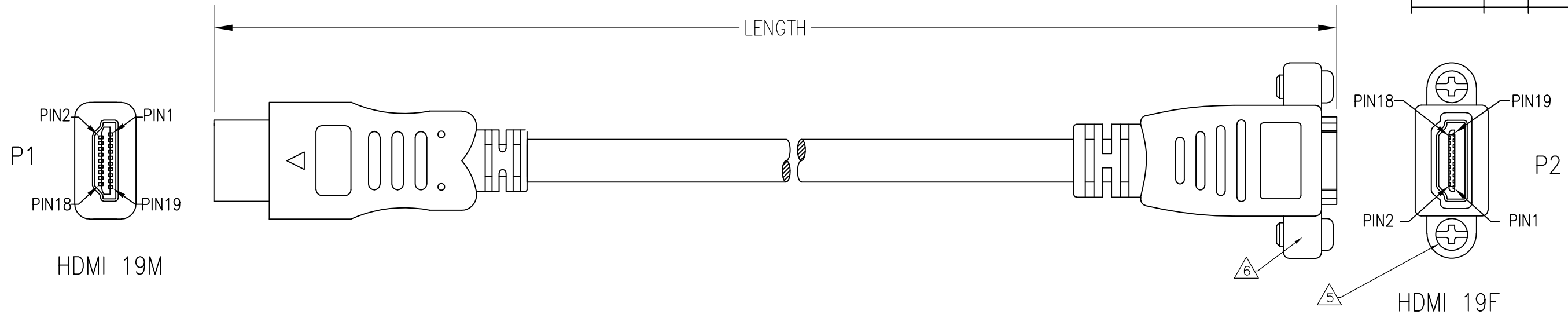


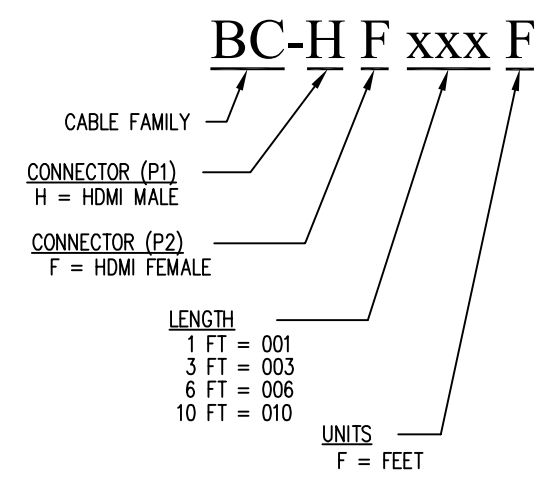
DATE	REV	ECN	APP'D. BY
08/31/21	A0	11827	JME
-	-	-	-



WIRING MAP

P1 (HDMI 19M)	<p>1 RED</p> <p>3 PURPLE AL/MY</p> <p>2 SHIELD</p> <p>4 RED</p> <p>6 GREEN AL/MY</p> <p>5 SHIELD</p> <p>7 RED</p> <p>9 BLUE AL/MY</p> <p>8 SHIELD</p> <p>10 RED</p> <p>12 BROWN AL/MY</p> <p>11 SHIELD</p> <p>14 RED</p> <p>19 SILVER AL/MY</p> <p>17 SHIELD</p> <p>13 RED</p> <p>15 ORANGE</p> <p>16 WHITE</p> <p>18 YELLOW</p> <p>SHIELD SHIELD</p>	P2 (HDMI 19F)
---------------	-------------------------------------------------------------------------------------------------------------------------------------------------------------------------------------------------------------------------------------------------------------------------------------------------------------------------------------------------------	---------------

PART NUMBER KEY



TYPICAL PART NUMBERS	
PART NUMBER	LENGTH FEET [METERS]
BC-HF001F	1 [0.30]
BC-HF003F	3 [0.91]
BC-HF006F	6 [1.82]
BC-HF010F	10 [3.05]

FOR PART NUMBERS NOT SHOWN FOLLOW PART NUMBER KEY FORMAT

NOTES:

- EACH CABLE ASSEMBLY INDIVIDUALLY BAGGED
- CONNECTOR (P1): HDMI 19 MALE, GOLD FLASH ON CONTACTS, GOLD CONNECTOR, BLACK INSULATOR
- CONNECTOR (P2): HDMI 19 FEMALE, GOLD FLASH ON CONTACTS, GOLD CONNECTOR, BLACK INSULATOR, WITH PCB
- WIRE CONSTRUCTION: UL20276;28 AWG, BLACK JACKET, OD 0.287" [7.3 mm]
- SCREW: 5.5 X 8MM, 4-40# (INCLUDED)
- HEX-NUT: 5 X 7.7MM, 4-40#



THIRD ANGLE PROJECTION 		206 Van Vorst Street Jersey City, NJ 07302 +1 201 432 0463 http://www.belfuse.com
DO NOT SCALE DRAWING DRAWING IS SUBJECT TO CHANGE WITHOUT NOTICE	TITLE: HDMI 1.4 CABLE, MALE TO FEMALE	
DIMENSIONS: INCHES [METRIC]	UNLESS OTHERWISE SPECIFIED TOLERANCES ARE ±.005 [0.13] ANGLES ARE ± 1°	DRN BY: BTS DATE 08/16/21
SHEET NO. 1 OF 1	THIS DRAWING AND THE SUBJECT MATTER SHOWN THEREON ARE CONFIDENTIAL AND THE PROPRIETARY PROPERTY OF BEL FUSE, INC. AND SHALL NOT BE REPRODUCED, COPIED, OR USED IN ANY MANNER WITHOUT PRIOR WRITTEN CONSENT OF BEL FUSE, INC.	APPD BY: JME DATE 08/31/21
		DWG NO. CT999264 REV. A0