

Bandpass Filter

BFCN-1560+

50Ω 1500 to 1620 MHz



CASE STYLE: FV1206-1

Maximum Ratings

Operating Temperature	-55°C to 100°C
Storage Temperature	-55°C to 100°C
RF Power Input*	1.5W at 25°C

*Passband rating, derate linearly to 0.25W at 100°C ambient. Permanent damage may occur if any of these limits are exceeded.

Pin Connections

RF IN	1
RF OUT	3
GROUND	2,4,5,6

Features

- Excellent VSWR, 1.1:1 typ @ passband
- Small size
- Temperature stable
- LTCC construction

Applications

- Harmonic rejection
- Transmitters / receivers

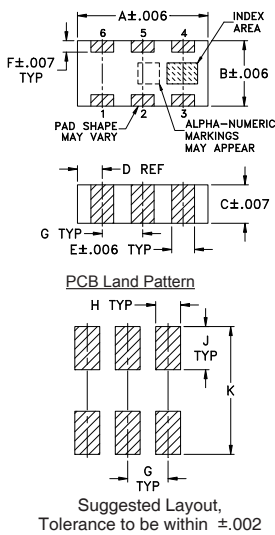
+RoHS Compliant
The +Suffix identifies RoHS Compliance. See our web site for RoHS Compliance methodologies and qualifications

Bandpass Filter Electrical Specifications^{1,2} (T_{AMB} = 25°C)

CENTER FREQ. (MHz)	PASSBAND (MHz) (Loss > 5dB) F1 - F2	STOPBANDS (MHz)				VSWR (:1)	
		Loss > 20dB F3	Loss > 20dB F4	Loss 30dB Typ F5	Loss 30dB Typ F6	Passband Max.	Stopband Typ.
1560	1500 - 1620	1100	2100	1040	2105 - 4200	1.7	20

1. Measured on Mini-Circuits Characterization Test Board TB-285.
2. This filter is not intended for use as a DC Blocking circuit element. In Application where DC voltage is present at either input or output ports, blocking capacitors are required at the corresponding RF port.

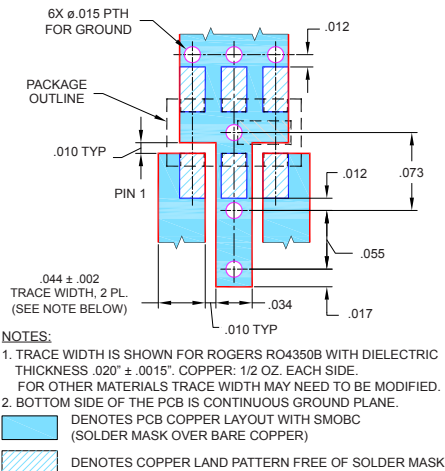
Outline Drawing



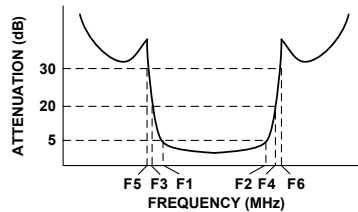
Outline Dimensions (inch/mm)

A	B	C	D	E	F
.126	.063	.035	.024	.022	.011
3.20	1.60	0.89	0.61	0.56	0.28
G	H	J	K	wt.	
.039	.024	.042	.123	grams	
0.99	0.61	1.07	3.12	.020	

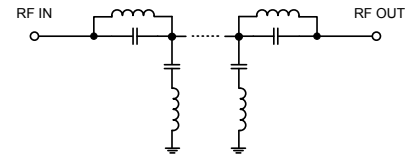
Demo Board MCL P/N: TB-285
Suggested PCB Layout (PL-158)



Typical Frequency Response

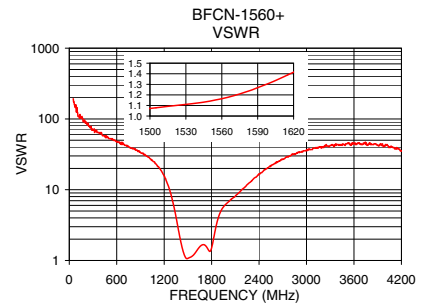
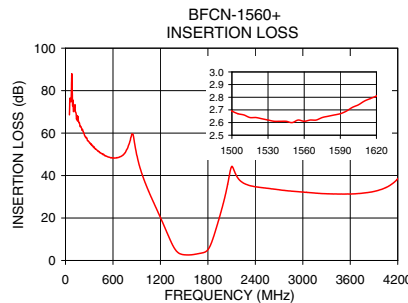


Functional Schematic



Typical Performance Data at 25°C

Frequency (MHz)	Insertion Loss (dB)	VSWR (:1)
50	68.59	193.02
200	62.54	91.43
500	49.47	52.65
1040	33.62	25.94
1100	28.46	22.87
1250	16.02	11.46
1340	8.35	4.69
1400	4.54	2.09
1500	2.69	1.07
1560	2.61	1.16
1620	2.81	1.41
1780	4.32	1.35
1850	8.81	2.82
1910	15.77	4.78
2000	27.69	6.56
2100	44.20	8.12
2105	44.37	8.27
3500	31.29	44.55
4200	38.45	35.46



Notes
A. Performance and quality attributes and conditions not expressly stated in this specification document are intended to be excluded and do not form a part of this specification document.
B. Electrical specifications and performance data contained in this specification document are based on Mini-Circuits' applicable established test performance criteria and measurement instructions.
C. The parts covered by this specification document are subject to Mini-Circuits standard limited warranty and terms and conditions (collectively, "Standard Terms"); Purchasers of this part are entitled to the rights and benefits contained therein. For a full statement of the Standard Terms and the exclusive rights and remedies thereunder, please visit Mini-Circuits' website at www.minicircuits.com/MCLStore/terms.jsp

