



# TAOGLAS®



# Datasheet

**Part No:**  
**CGGBP.35.3.A.02**

**Description:**

35mm\*35mm\*3mm 4dBi+ GPS/GLONASS/Galileo/BeiDou/QZSS  
Ceramic Patch Antenna

**Features:**

Stable gain across most major GNSS applications  
Excellent radiation pattern coverage  
Dielectric Ceramic  
Pin (Through hole) Mount  
RoHS & Reach Compliant

1. Introduction	3
2. Specifications	4
3. Antenna Characteristics	9
4. Radiation Patterns	10
5. Mechanical Drawing	14
6. CGGBPD.35.B Evaluation Board	16
7. PCB Footprint Recommendation	17
8. Packaging	18
<hr/>	
Changelog	19

Taoglas makes no warranties based on the accuracy or completeness of the contents of this document and reserves the right to make changes to specifications and product descriptions at any time without notice. Taoglas reserves all rights to this document and the information contained herein. Reproduction, use or disclosure to third parties without express permission is strictly prohibited.



# 1. Introduction



This CGGBP.35 35mm\*35mm embedded ceramic GPS/GLONASS/Galileo/ BeiDou patch antenna has a wide band of operation, leading to excellent gain and radiation pattern stability on all three GNSS system bands. The CGGBP.35.3 is ideal for devices where height may be at a premium, at just 3mm this low profile patch antenna can be placed in areas where thicker antennas may not fit.

Typical Applications Include:

- Wearables
- Navigation
- Transportation
- RTK

Compared to using a smaller antenna, this will translate into the GNSS system having much higher location accuracy, improved reliability of lock in urban areas, better signal reception, with more satellites acquired and a quicker time to first fix.

The patch is mounted via pin and double-sided adhesive. This antenna has been manufactured in an IATF16969 approved facility.

While the antenna will operate well in most device environments (Note cannot be covered with metal enclosure), tuning and further optimization of this antenna to different ground-planes and enclosures can be done if required, also including a pin length change. These changes would be subject to possible NRE and a minimum order quantity. For further information contact your regional Taoglas customer support team

## 2. Specifications

GNSS Frequency Band							
GPS/QZSS	L1 1575.42MHz	L2 1227.6MHz	L5 1176.45MHz	L6 1278.75MHz			
	■	□	□	□			
GLONASS	L5R 1176.45MHz	L3PT 1201.5MHz	L2PT 1246MHz	L1CR 1575.42MHz	L1PT 1602MHz		
	□	□	□	■	■		
Galileo	E5a 1176.45MHz	E5b 1201.5MHz	E4 1215MHz	E3 1256MHz	E6 1278.75MHz	E2 1561MHz	L1 1575.42MHz
	□	□	□	□	□	■	■
BeiDou	B1 1561MHz	B2 1207.14MHz	B3 1268.52MHz				
	■	□	□				
Compass	E5B(B2)/ E6(B3) 1268.56MHz	E2(B1) 1561MHz					
	□	■					
SBAS	Omnistar 1542.5MHz	WAAS/EGN OS 1575.42MHz					
	□	■					

GNSS Electrical			
Frequency (MHz)	1561	1575.42	1602
Return Loss (dB)	-30	-18	-13
Efficiency (%)	63	65.6	67
Average Gain (dB)	-2.01	-1.83	-1.74
Peak Gain at Zenith (dBi)	4.05	3.82	3.97
Polarization	RHCP		
Impedance(Ω)	50		

### Field Test Result with 70\*70mm ground plane

Frequency	GPS L1	Galileo E1	GLONASS G1	BeiDou B1I
	1563-1587	1559-1591	1598-1605	1559-1563
Carrier-to-Noise Values(dB-Hz)	41.7	38.2	40.1	40.2
2*DRMS Positioning Accuracy (cm) <b>without RTK</b>	83	83	83	83
2*DRMS Positioning Accuracy (cm) <b>with RTK</b>	1.4	1.4	1.4	1.4
TTFF(s)	25.4	25.4	25.4	25.4
Group Delay @ Zenith Variation Across Single Constellation(ns)	3.2	3.2	3.2	3.2
Phase Centre Offset PCO (cm)	3.5	3.5	3.5	3.5
Phase Centre Variation PCV (mm)	35	35	35	35
Axial Ratio (dB)	2	2	2	2

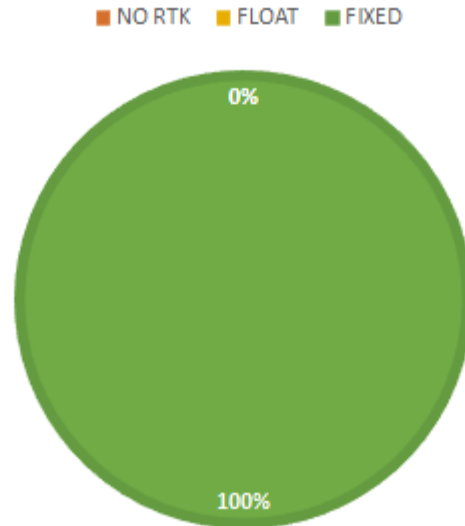
\*All outdoor measurements performed on the roof top of the Taoglas R&D Labs facility in Dublin Ireland.

\*\* Recommended Minimum C/No for Standard Precision Acquisition/ Tracking (dB-Hz): 26-30/ 12-15.

\*\*\*Data Measured Free Space.

\*\*\*\*Group Delay, PCO, PCV and Axial Ratio values includes Active Circuitry.

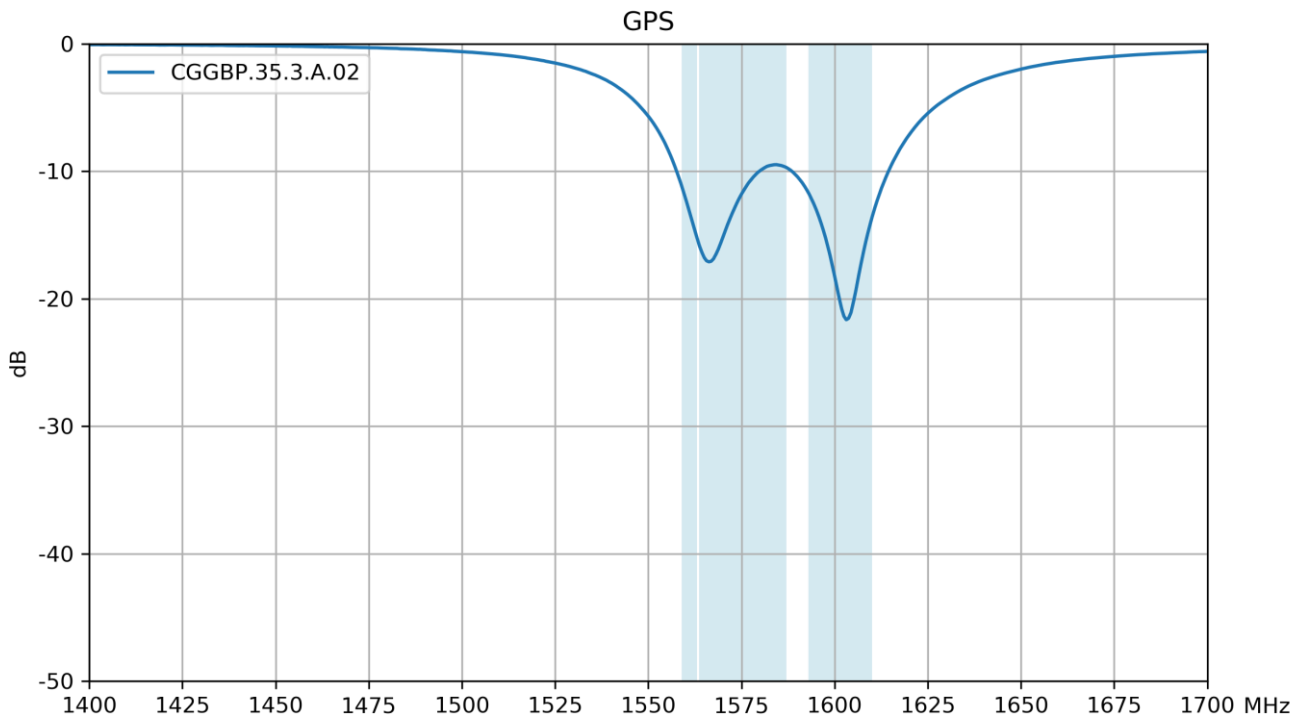
\*\*\*\*\*Ublox C099-F9P application board is used for Field test Measurements.



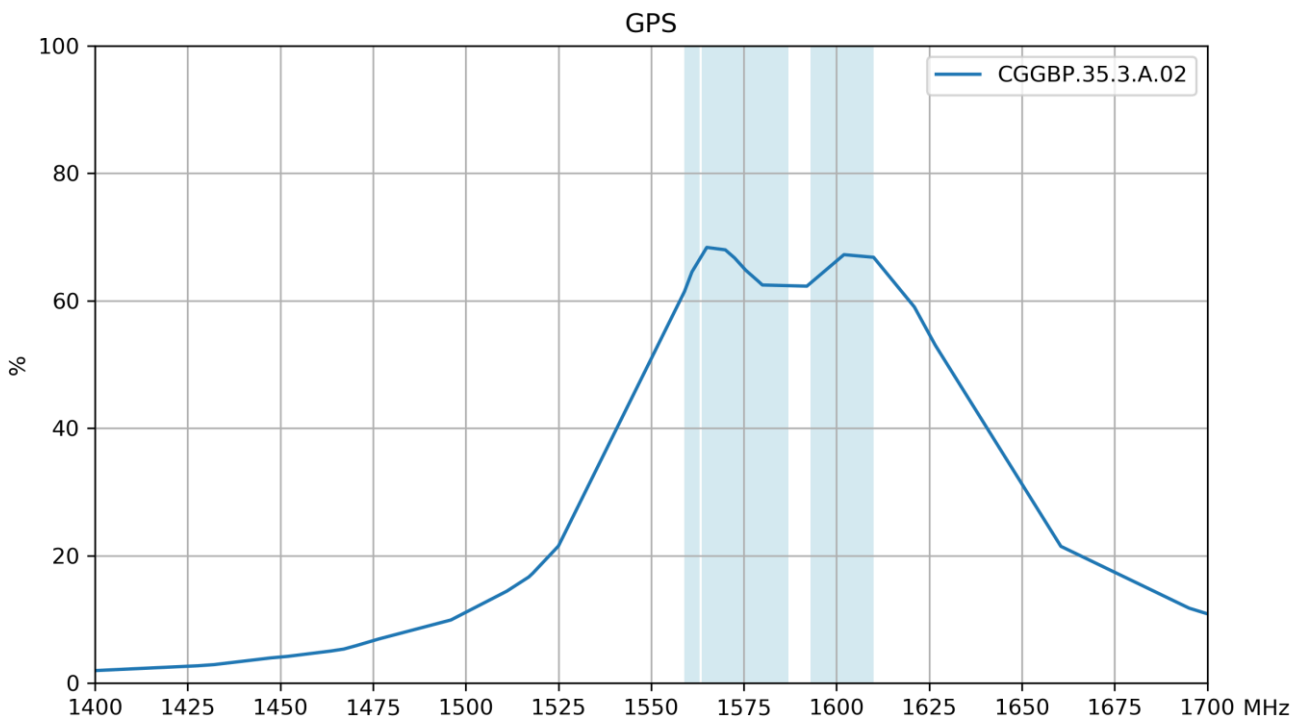
<b>Mechanical</b>	
Dimensions	35 x 35 x 3mm
Material	Ceramic
Pin Diameter	0.9mm
Pin Length	2.15mm
Weight	13.5g
<b>Environmental</b>	
Temperature Range	-40°C to 85°C
Humidity	Non-condensing 65°C 95% RH

### 3. Antenna Characteristics

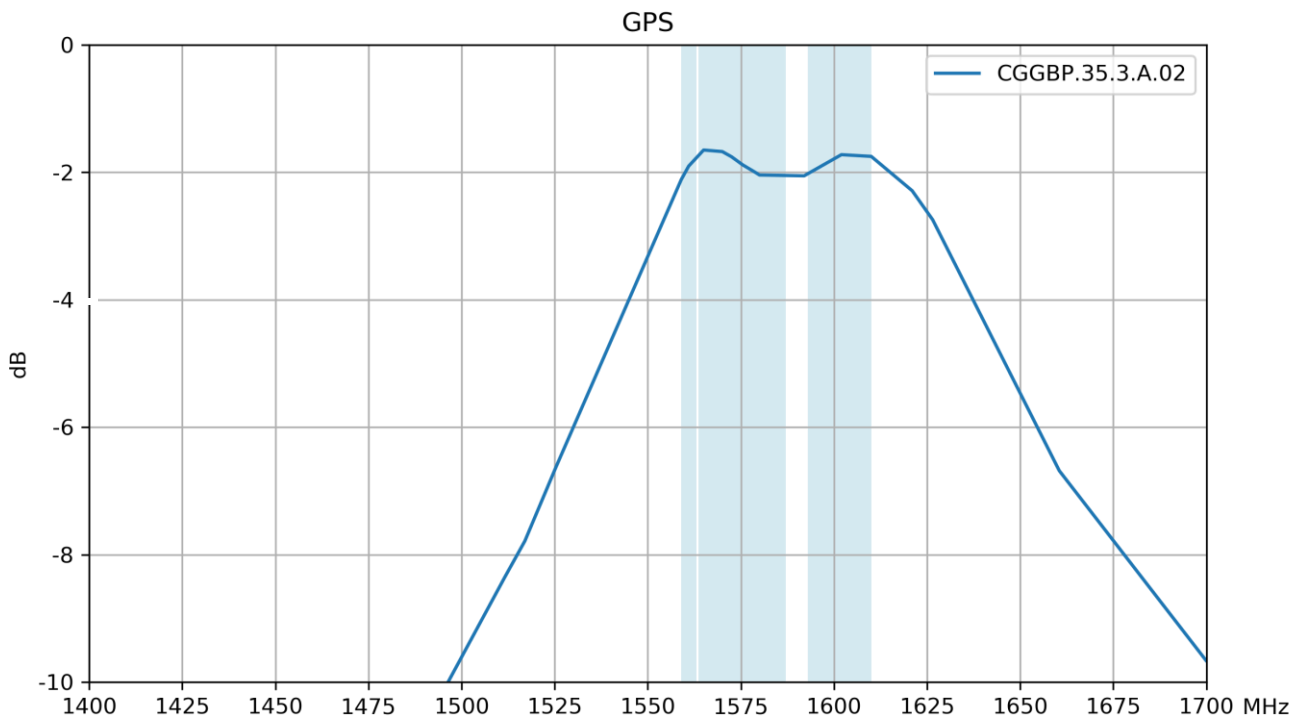
#### 3.1 Return Loss



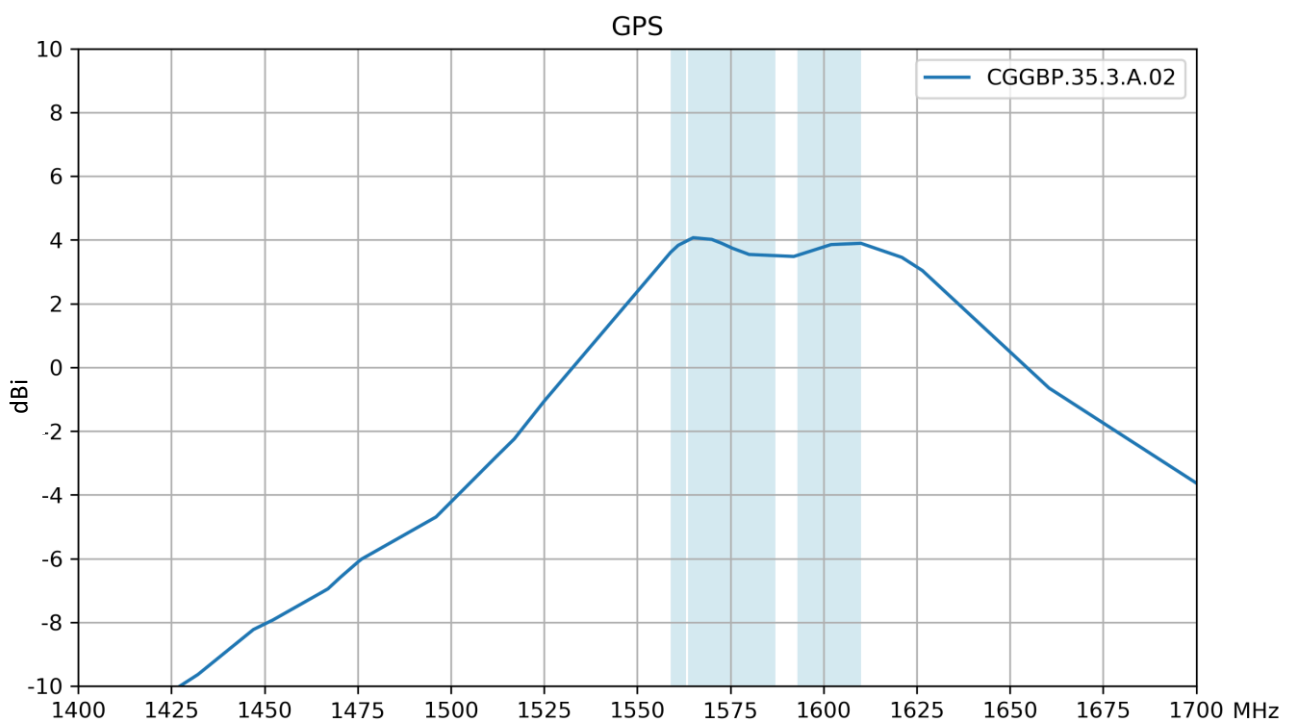
#### 3.2 Efficiency



### 3.3 Average Gain

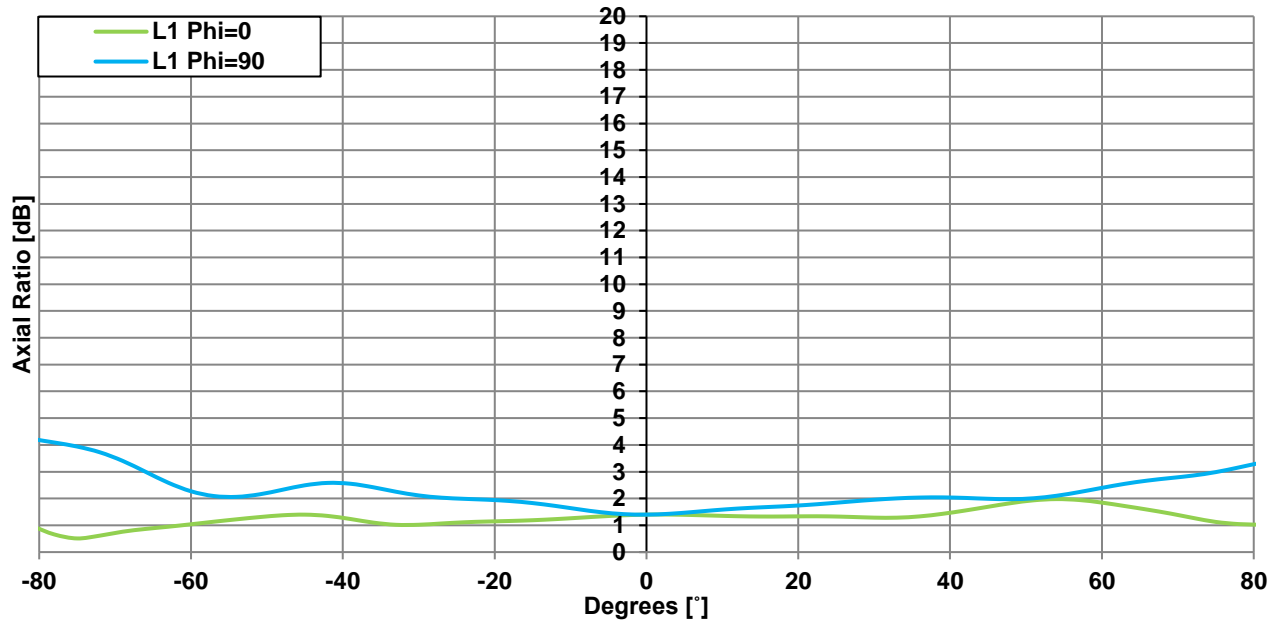


### 3.4 Peak Gain



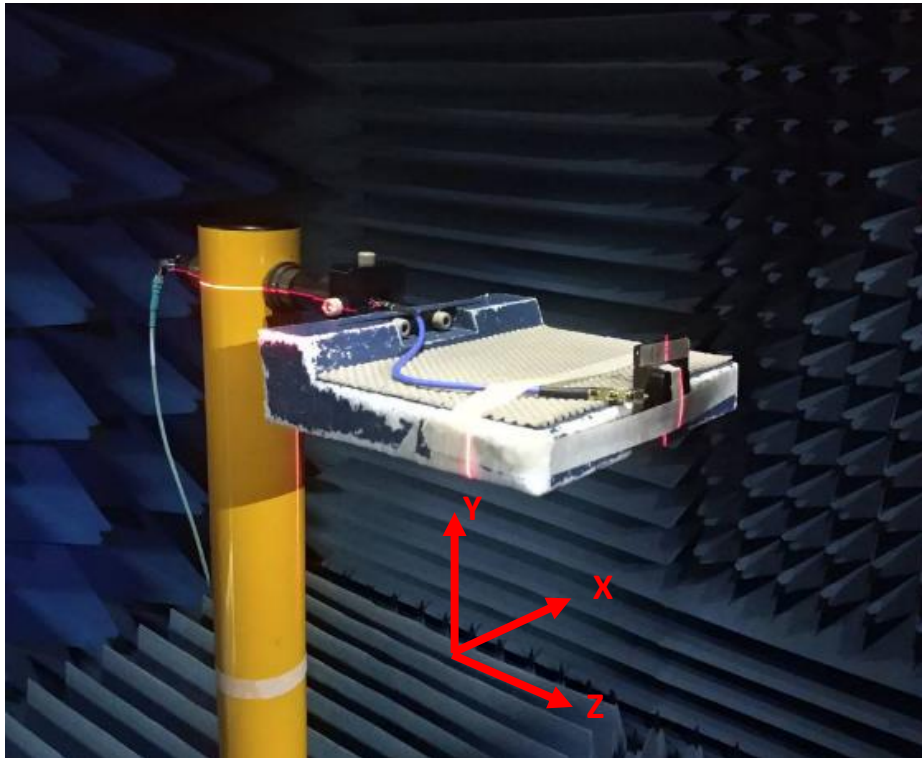


### 3.5 Axial Ratio @ L1

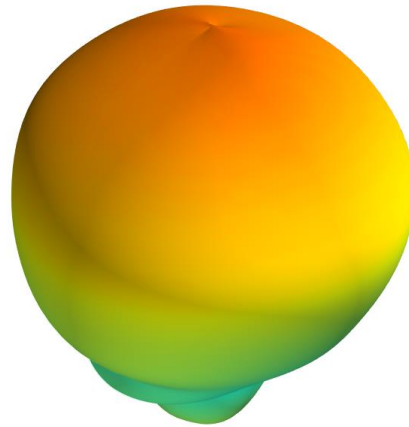


## 4. Radiation Patterns

### 4.1 Test Setup – on 70\*70mm Ground Plane



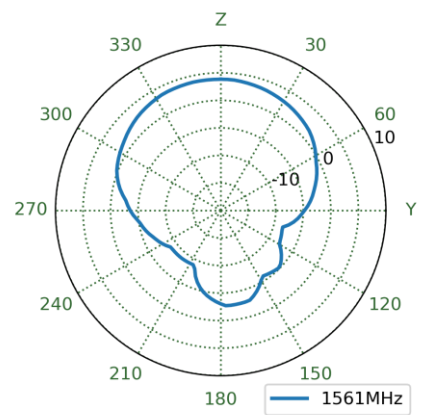
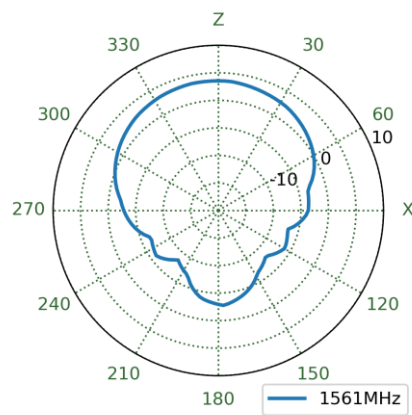
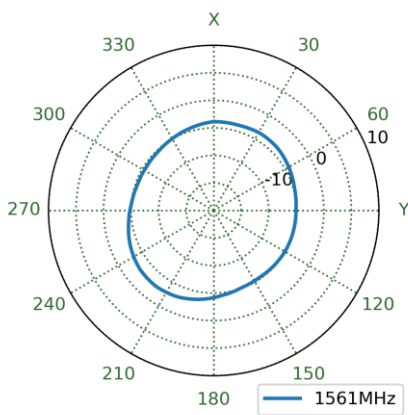
4.2 1561MHz 3D and 2D Radiation Patterns



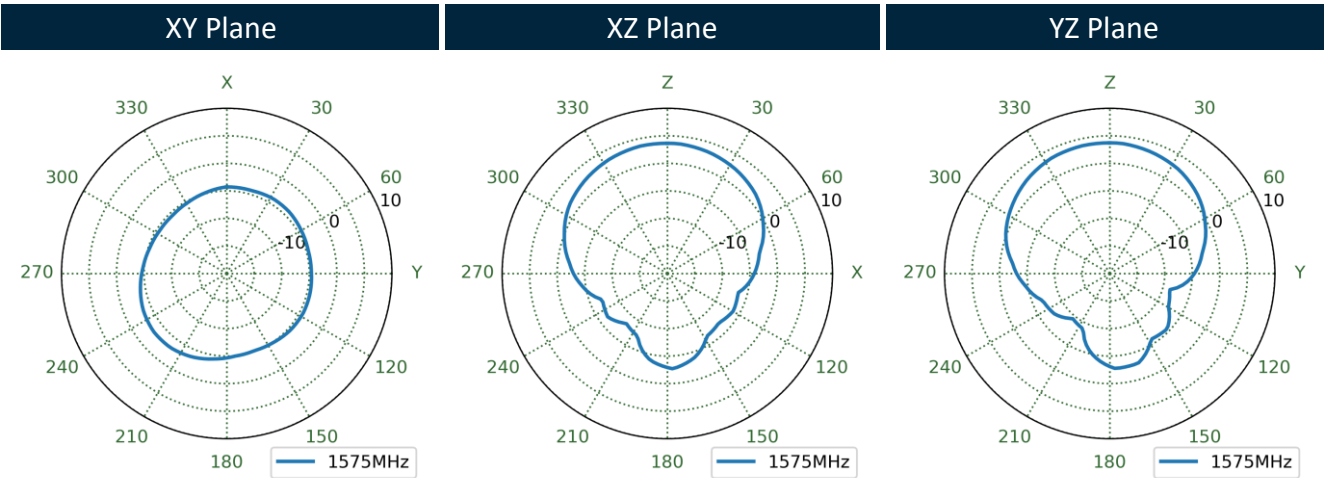
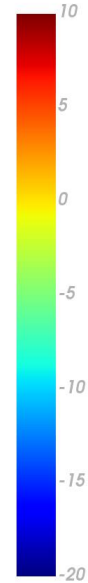
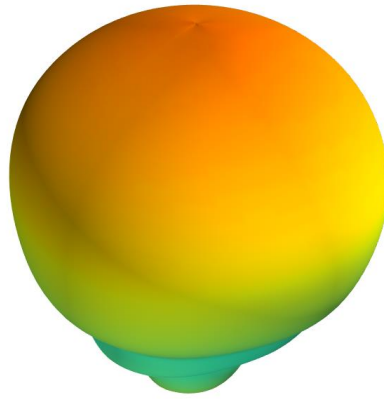
XY Plane

XZ Plane

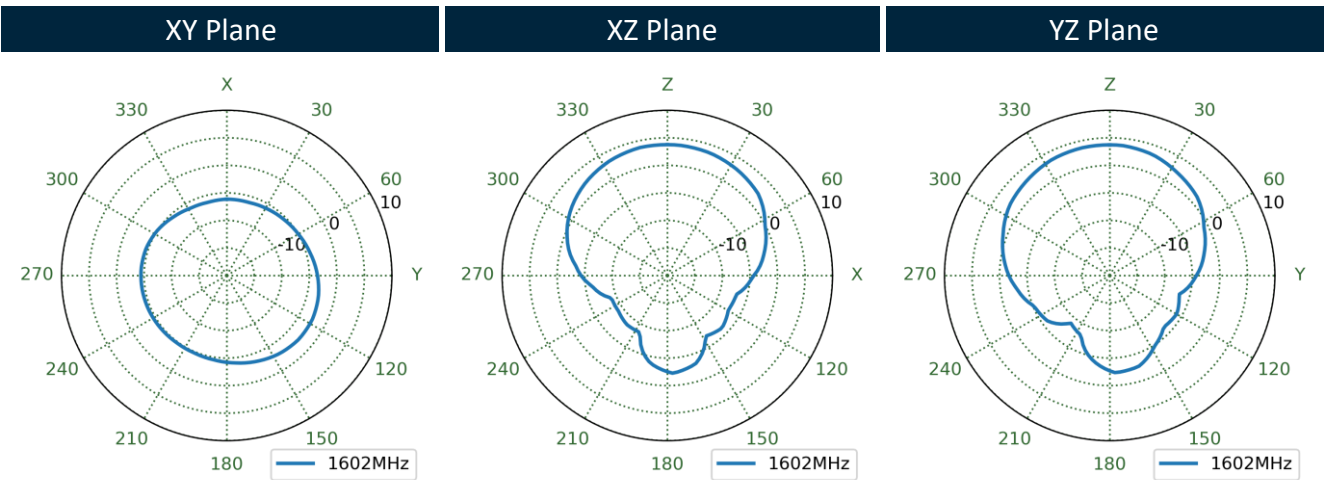
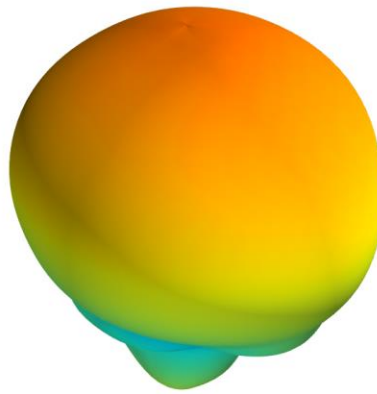
YZ Plane



4.3 1575.42MHz 3D and 2D Radiation Patterns

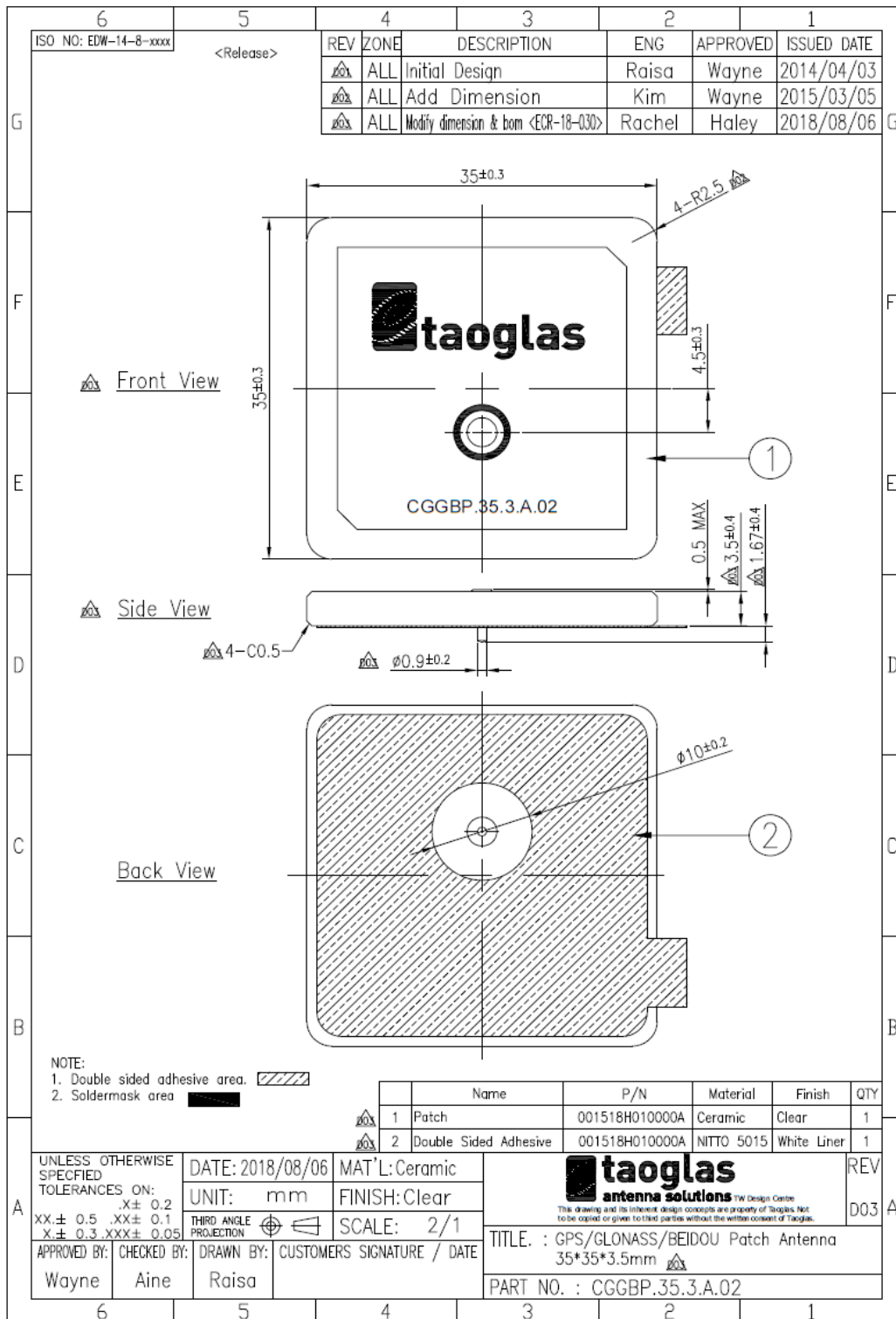


4.4 1602MHz 3D and 2D Radiation Patterns

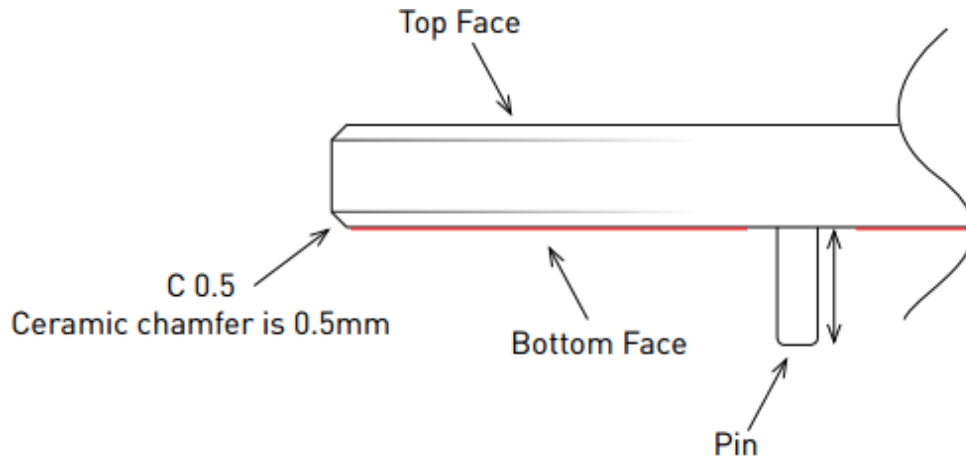


# 5. Mechanical Drawing (Units:mm)

## 5.1 Mechanical Drawing



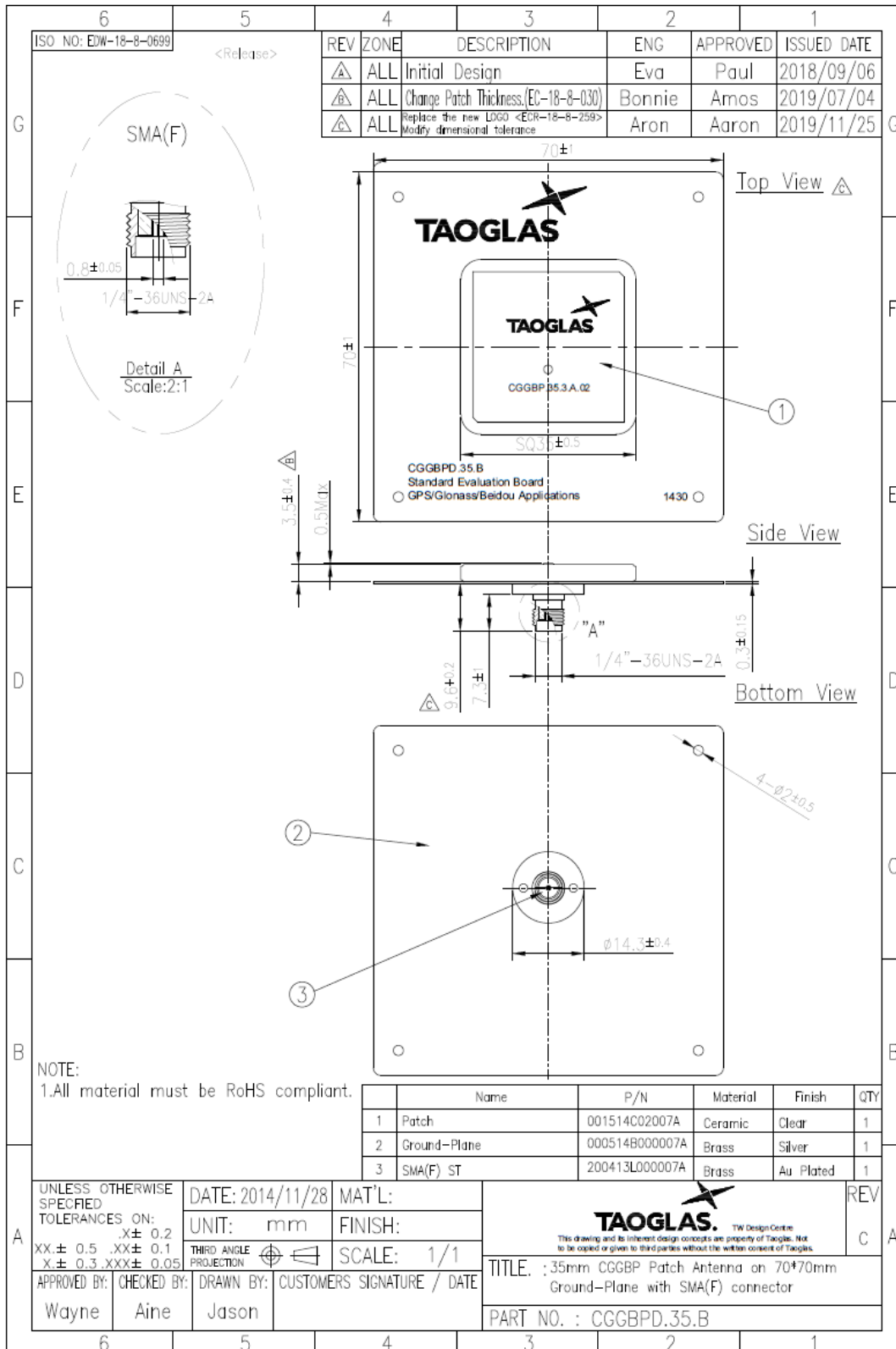
5.2 Adhesive Thickness



**Red Line** shows the adhesive without Liner – thickness 0.08~0.1mm

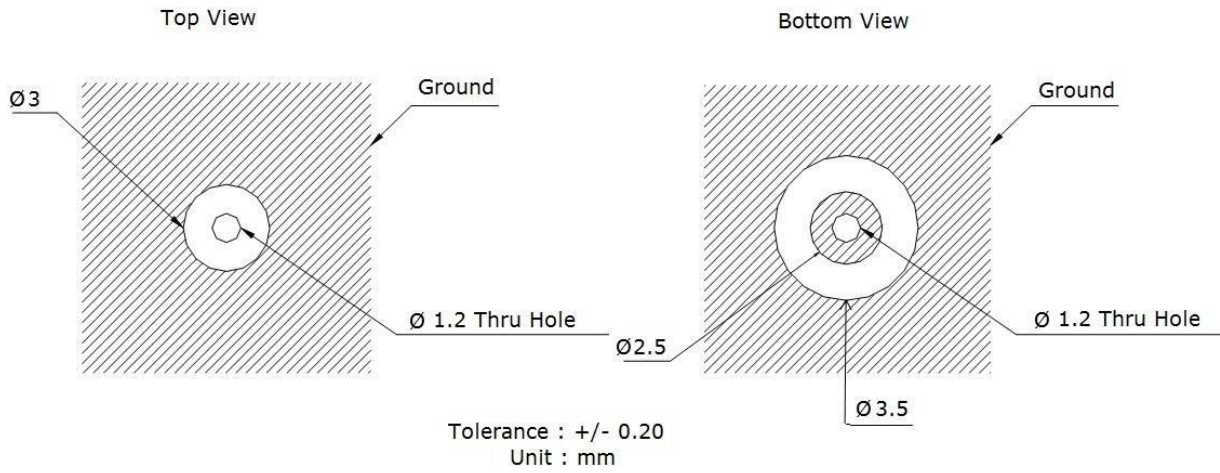
# 6. CGGBP.D.35.B Evaluation Board(unit:mm)

## 6.1 Evaluation Board Drawing



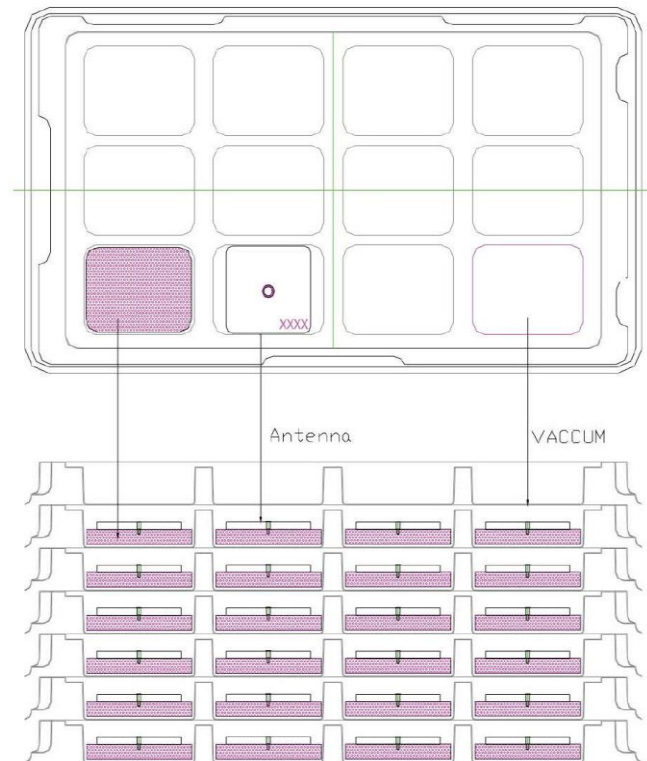


## 7. PCB Footprint Recommendation

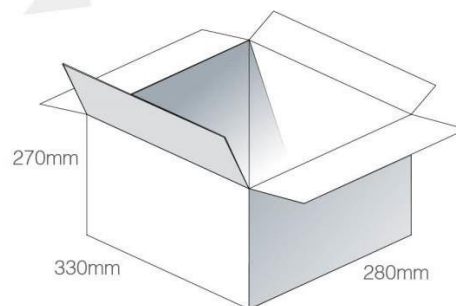
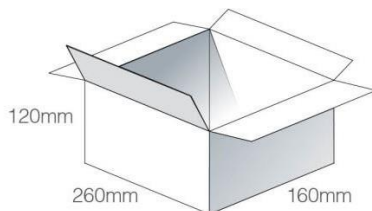


## 8. Packaging

12 Pieces CGGBP.35 per tray  
 Dimensions - Diameter 250\*150\*20mm  
 Weight - 220g

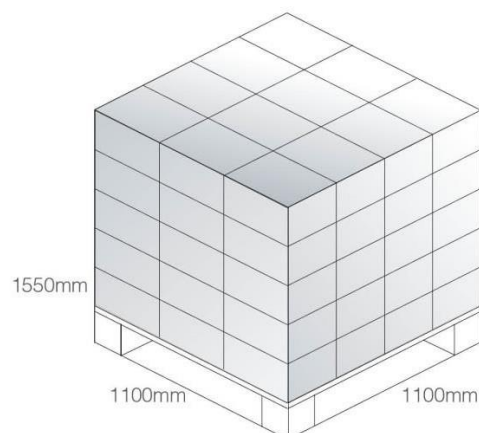


6 Trays per Small Carton  
 72 Pieces CGGBP.35 Carton  
 Dimensions - 260\*160\*120  
 Weight - 1.37Kg



4 Small Cartons per 1 Large Carton  
 288 Pieces CGGBP.35 per Large Carton  
 Carton Dimensions - 330\*280\*270  
 Weight - 6Kg

Pallet Dimensions 1100\*1100\*1550mm  
 60 Cartons per Pallet  
 12 Cartons per layer  
 5 Layers



Changelog for the datasheet

**SPE-15-8-010 – CGGBP.35.3.A.02**

**Revision: B (Current Version)**

Date:	2020-03-18
Changes:	Updated Data
Changes Made by:	Jack Conroy

**Previous Revisions**

**Revision: A (Original First Release)**

Date:	2017-10-11
Notes:	Initial Datasheet Release
Author:	Jack Conroy



**TAOGLAS**®

[www.taoglas.com](http://www.taoglas.com)

