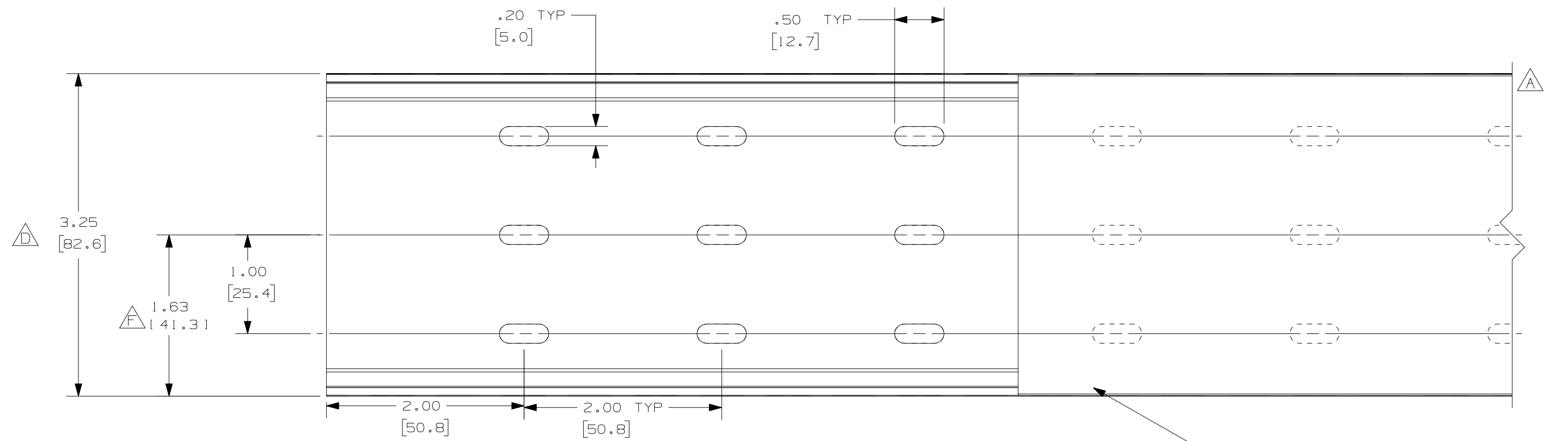
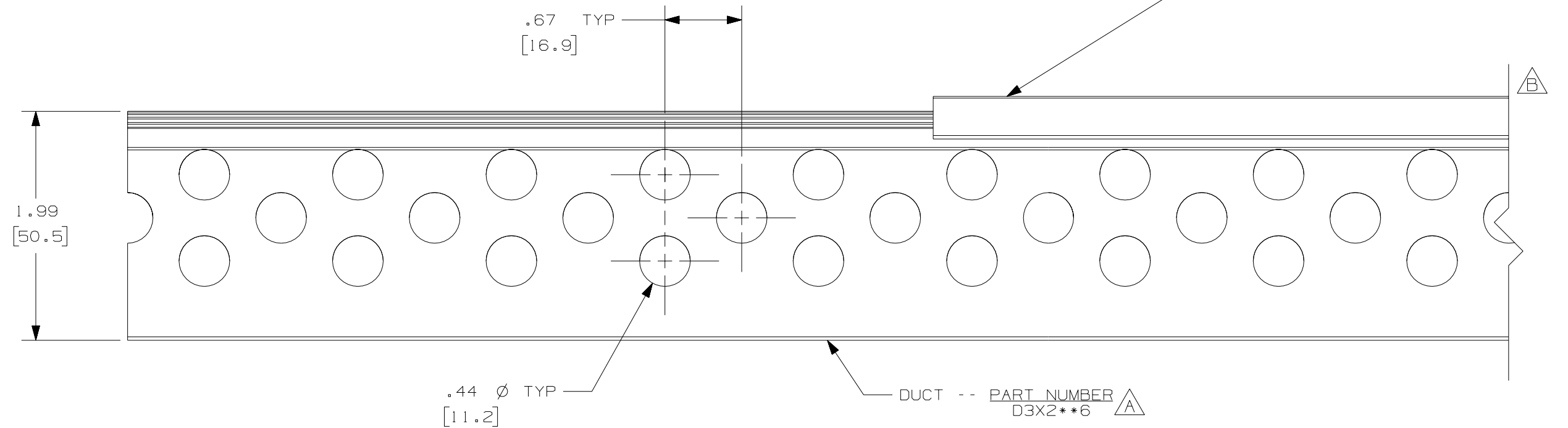
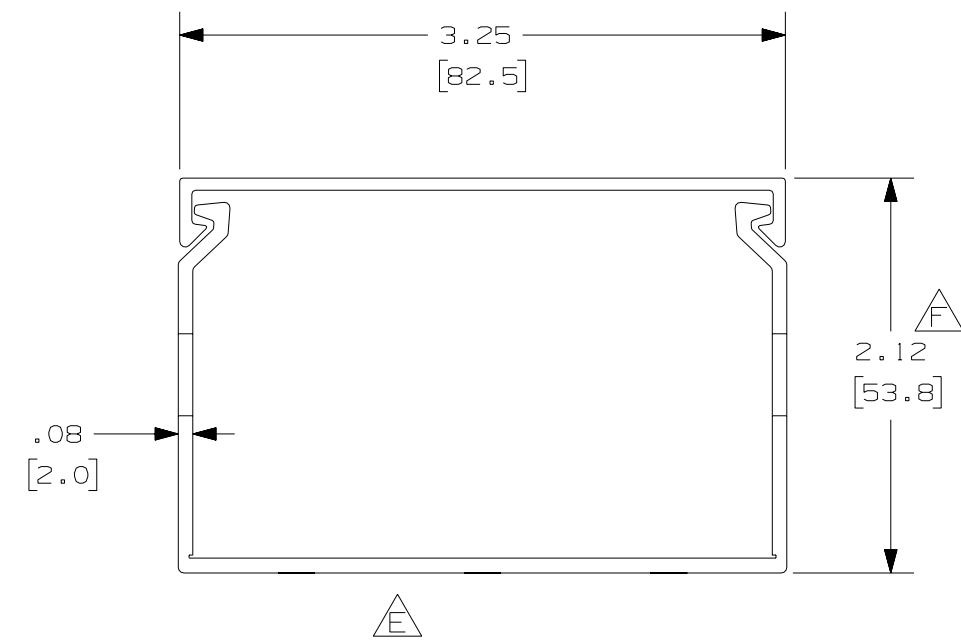


THIS COPY IS PROVIDED ON A RESTRICTED BASIS AND IS NOT TO BE USED IN ANY WAY DETRIMENTAL TO THE INTERESTS OF PANDUIT CORP.



COVER -- PART NUMBER C3\*\*6



DUCT -- PART NUMBER D3X2\*\*6



NOTES:

1. ALL DIMENSIONS ARE REFERENCE ONLY.
2. DIMENSIONS IN PARENTHESIS ARE METRIC.
3. THE \*\* DENOTE COLOR.
4. DUCT AND COVER ARE AVAILABLE IN 6 FT [1828.8] LENGTHS.

REV	DATE	BY	CHK	DESCRIPTION
--	-----	---	---	G. ADDED LENGTH NOTE F. CORRECTED DIMENSION
2	8/12/07	JCSTMKBE		E. DELETED DIMENSION D. ADDED DIMENSION
--	-----	---	---	C. CHANGED DRAWING SIZE
1	6-18-04	JCSTMKBE		B. CHANGED VIEW A. ADDED TOP VIEW, NOTES, AND LABELS
R	4-24-03	JCST	JGG	DRAWING RELEASED

CAD FILENAME/LAYERS: D11000BN\_DC\_00C

**PANDUIT** CORP. TINLEY PARK, ILLINOIS

WIRING DUCT - TYPE D DUCT WITH COVER  
3 X 2  
MARKETING DRAWING

DRWN BY: JCST	MAT'L: PVC	SCALE: FULL
DATE: 4-24-03		DWG NO.: 36897-827
CHECKED BY: JGG		DWG SIZE: C