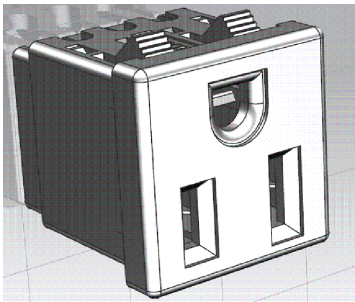


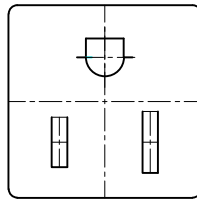
PRODUCT CODE:- ENO-1111-X

CATEGORY:- NEMA SOCKET WITH IDC TERMINALS

NEMA RECEPTACLE 5-15, SNAP-IN MOUNTING, FRONT SIDE, IDC TYPE .



Nema 5-15 Receptacle



UL us 15A 125V AC



DESCRIPTION :-

- Panel mount:
- Snap-in version from front side
- IDC Type, Quick Dis-connect

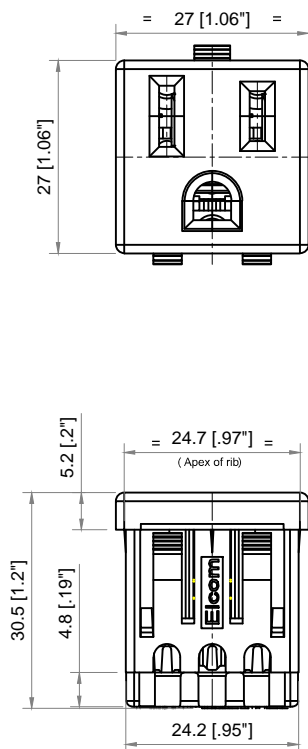
OTHER VERSIONS ON REQUEST

Panel thickness Available : 0.8-2.0mm

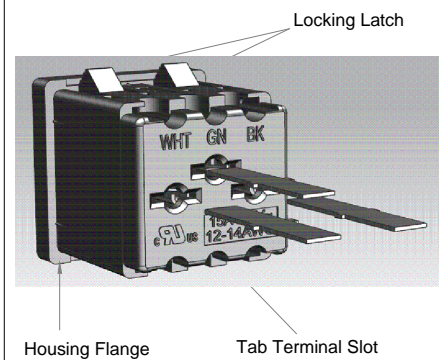
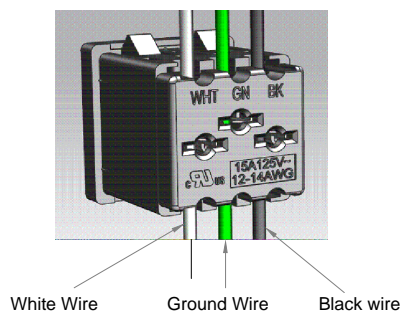
APPROVALS :-

- UL file Number : E258604

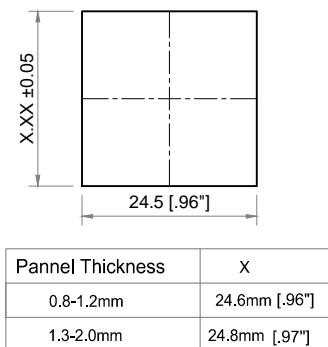
DIMENSIONS :-


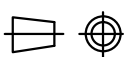


WIRING DETAILS:-



PANEL CUTOUT:-



						APP	30.03.17	GJG	 Plot E-4, Kagal Five Star MIDC, Kagal, Kolhapur, MH - 416236, India Elcom International Pvt. Ltd. www.elcom-in.com	
						CHK	30.03.17	DPP		
						DRN	30.03.17	Vicky		
REV	IS	WAS	DATE	SIGN	APP.	BY	DATE	SIGN		
UNSP.TOLERANCE			DIMNS. IN	WT(Gm)	SCALE:-	PROJECTION	SHEET	DRAWING NUMBER		
OVER	-	1	10	mm	Max.	NTS.				
UP TO	1	10	-	Moulding, plating details as per Bill of Material				1 OF 2	REVISION	
±	0.2	0.3	0.5	Unspecified colour is Black, GF:Glass filled.					P E N O - 1 1 1 1	

F:ENG-08.00

Note: Technical specifications are subject to change without prior notice

Copyright © 2019 by Elcom International Pvt.Ltd, India. All rights reserved

PRODUCT CODE:- ENO-1111-X

CATEGORY:- NEMA SOCKET WITH IDC TERMINALS


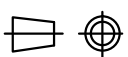
SPECIFICATION TABLE :-

SR.NO.	PARAMETER		SPECIFICATIONS
1	Contact Resistance (Initial)		10 mohms max.
2	Insulation Resistance At 500 V DC		1000 Mohms min.
3	H.V.Break Down Test (For 1-Minute)		2 KV AC
4	Panel Thickness in mm.		0.8-2.0
5	Mounting		Panel, Snap-in type
6	Withdrawl Force		1.3 to 6.7 Kg.
7	Terminals		Quick Connect : 5.2x0.5mm (Additional feature)
			IDC Type, Wire : 12-14 AWG, THHN (Copper Solid), Quick Dis-Connect
8	Permissible Temp	(a) With/Without Load	-25°C To 65°C ☺
		(b) For Soldering	270°C for 5 Sec. max.
9	Material	(a) Housing Flammability Rating	Polyamide, UL 94 FR V2
		(b) Terminals	Brass,Nickel plating
10	Reference Standard		NEMA WD 6, UL 498 & CSA C 22.2 No-42

☺ : Also available for temp. rating up to 125°C on request (For UL only)

ORDERING TABLE

SERIES		OPERATING TEMP.°C	
ENO-1111		No Suffix	-25 To 65°C (UL)(V2 Grade)
		7	-25 to 105°C (UL) (V0 Grade)
		8	-25 to 110°C (UL) (V2 Grade)
		9	-25 to 125°C (UL) (V2 Grade)

APP	30.03.17	GJG	 Plot E-4, Kagal Five Star MIDC, Kagal, Kolhapur, MH - 416236, India Elcom International Pvt. Ltd. www.elcom-in.com						
CHK	30.03.17	DPP							
DRN	30.03.17	Vicky							
REV	IS	WAS	DATE	SIGN	APP.	BY	DATE	SIGN	
UNSP.TOLERANCE			DIMNS. IN mm	WT(Gm) Max.	SCALE:- NTS.	PROJECTION	SHEET	DRAWING NUMBER	
OVER	-	1	10	Moulding, plating details as per Bill of Material Unspecified colour is Black, GF:Glass filled.				2 OF 2	P E N O - 1 1 1 1 REVISION 0
UP TO	±	0.2	0.3	0.5					

F:ENG-08.00

Note: Technical specifications are subject to change without prior notice

Copyright © 2019 by Elcom International Pvt.Ltd, India. All rights reserved