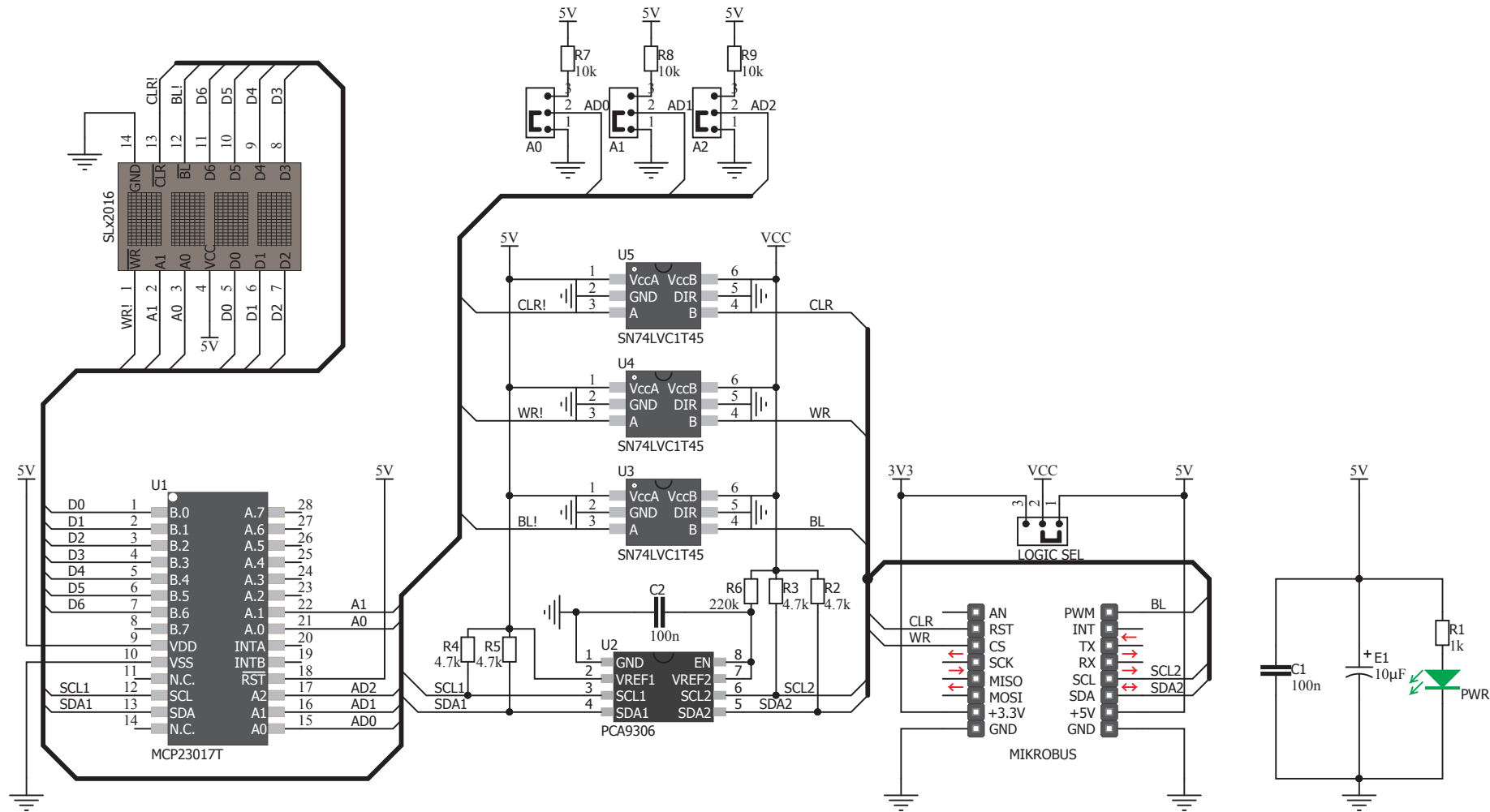


4 Dot-Matrix click schematic v100



www.mikroe.com