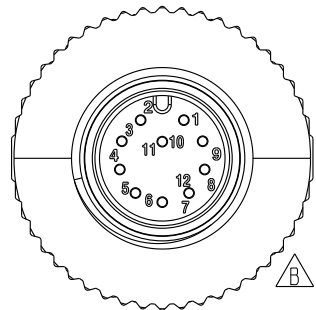
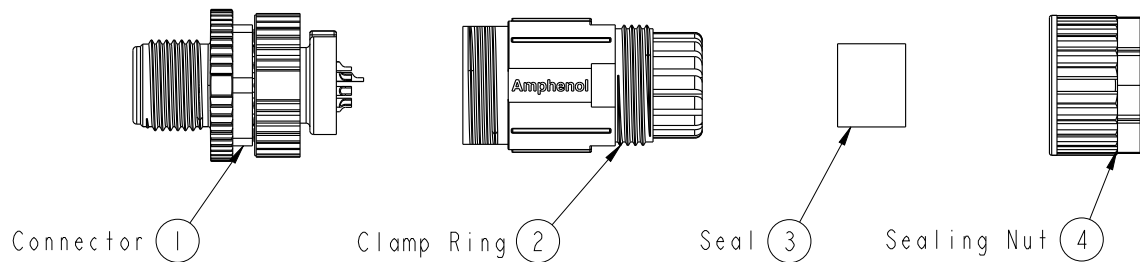


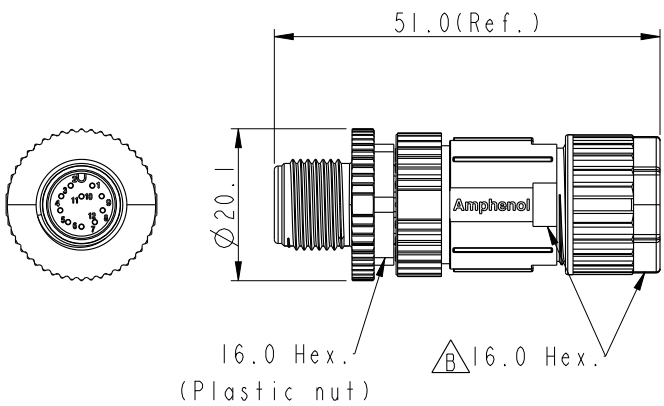
REV.	ECN NO.	DATE	SIGN	DESCRIPTION
B	LEN15A0360	2015/09/16	Mila	Product improve

ALTW
CONFIDENTIAL
2015-09-16
R&D DEPT.

ALTW
DCC. DEPT.
CONFIDENTIAL
2015.10.21
ISSUED



Pin Assignments
Front View



- Note:
- * ⌀ Important Dimension To Check.
 - * Waterproof Rate: IP67
 - * Housing: Nylon, Black.
 - * Male Pin: Copper Alloy, Gold Plated.
 - * Male Nut: PBT+PC, Black.
 - * O-Ring: Silicon, Grey.
 - * Clamp Ring: Nylon, Black.
 - * Sealing Nut: PBT+PC, Black.
 - * Seal: Silicon, Grey.
 - * Seal For Cable OD: $\text{⌀}4.0\text{mm} \sim \text{⌀}8.0\text{mm}$
 - * Applicable Wire gauge (Stranded wire cross section) 26AWG~24AWG
 - * Mating Recommended tightening torque: 3~4 kgf.cm / 0.29~0.39 N.m
 - * Sealing-Nut Recommended tightening torque: 4~6 kgf.cm / 0.39~0.59 N.m
 - * Detailed applicable wire specifications may vary depending on the actual wire construction.

UNIT:mm			TITLE		ITEM NO	DRAWN BY	DATE
			M12A Unshielded Assy 10Pin M Conn. M Pin				
TOLERANCE	.X	± 0.25	SCALE	1:1	DWG NO	CHECKED BY	DATE
	.XX	± 0.1		SIZE A4	MSAP-10BMMA-SL7001	Cary	2015-09-16
	.XXX	± 0.05	REV.	B	CUSTOMER	APPROVED BY	DATE
	ANGLES	$\pm 1^\circ$		WC-REV. A.2	ALTW	Jerry	2015-09-16
			SHEET 1 OF 1				8
			Ⓞ: Inspection item				FMW10702-01-02A1

Amphenol LTW
安費諾亮泰企業股份有限公司

THIS DOCUMENT IS SUBJECT TO CHANGE WITHOUT NOTICE. IT IS CONFIDENTIAL AND A PROPERTY OF Amphenol LTW. DISCLOSURE TO THIRD PARTY HAS TO BE AUTHORIZED BY Amphenol LTW.