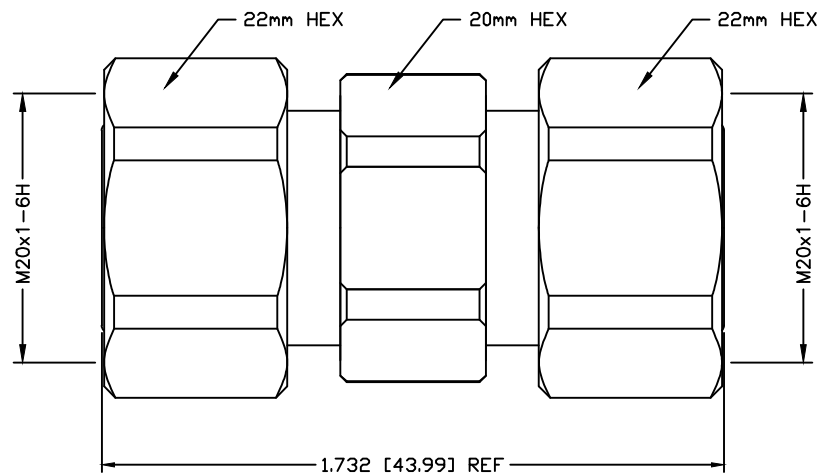


PART NO.

**RFD-43M-M**

REV	DESCRIPTION	DWN	DATE	APPROVED
-	ENGINEERING RELEASE	CZS	12/17/17	JDMc

**SPECIFICATIONS:**

IMPEDANCE: 50 Ohms

FREQUENCY RANGE: 0-6GHz

VSWR:  $\leq 1.15$  @ 3GHz3rd ORDER IM:  $< -160$ OPERATING TEMPERATURE:  $-40^{\circ}$  to  $+155^{\circ}$ CUSTOMER  
OUTLINE DRAWINGALL DIMENSIONS  
ARE REFERENCE ONLYUNLESS OTHERWISE SPECIFIED:  
DIMENSIONS ARE IN INCHES  
AND [MILLIMETERS]

DRAWN	C. ZUNIGA	12/17/17
CHECKED		
ORJ DRAWN	C. ZUNIGA	12/17/17

**RoHS  
COMPLIANT**

PROPRIETARY AND CONFIDENTIAL  
THIS DRAWING CONTAINS  
INFORMATION PROPRIETARY TO  
RF INDUSTRIES. ANY  
UNAUTHORIZED USE OF THIS  
DRAWING IS EXPRESSLY  
PROHIBITED WITHOUT WRITTEN  
PERMISSION FROM RF  
INDUSTRIES. ANY VIOLATION IS  
PUNISHABLE UNDER U.S.  
COPYRIGHT LAWS.

**RFconnectors**

DIVISION OF RF INDUSTRIES, LTD.

RFINDUSTRIES.COM  
7610 MIRAMAR RD.  
SAN DIEGO, CA 92126  
(858) 549-6340  
(858) 549-6345 FAX

**4.3/10 MALE TO MALE  
BARREL ADAPTER**

CABLE GROUP	DWG #	REVISION
N/A	<b>RFD-43M-M</b>	—
FORMAT	SCALE	CONTROL #
A	NTS	N/A

SHEET 1 OF 1

#	DESCRIPTION	QTY	MATERIAL	FINISH
6	COUPLING NUT	2	BRASS	WHITE BRONZE
5	O-RING	2	S.I. RUBBER	RED
4	RETAINING RING	1	BRASS	WHITE BRONZE
3	DIELECTRIC	1	PTFE	NONE
2	PIN	1	BRASS	SILVER
1	BODY	1	BRASS	WHITE BRONZE