

SSP3 Series

SSP3-277 / SSP3-480

3-Point LED Driver Surge Protector
with 20,000 Amp Max Protection, Line-Neutral



HUBBELL
Lighting Components

Rev 12-17-2018



Features

SSP3 surge protectors are designed for use in conjunction with LED Drivers to provide an additional level of cost-effective protection against powerline disturbances in industrial and commercial applications.

- SSP3-277 is a 3-leaded device that protects all single phase coupling modes (Line-Neutral, Line-Ground & Neutral-Ground) in accordance with IEEE/ANSI C62.41-2002 select guidelines
- SSP3-480 is a 3-leaded device that protects all single phase coupling modes (Phase A, Phase B, Phase A-Ground & Phase B-Ground) in accordance with IEEE/ANSI C62.41-2002 select guidelines
- Protects against surges and transients per ANSI C62.41-2002 category C low (6KV, 1.2/50µS & 3KA, 8/20µS) standard Combo waves and (6KV, 100KHz) Ring wave
- Protects against surges and transients per new ANSI C82.77-5 2015 category C medium (10KV, 1.2/50µS & 5KA, 8/20µS) standard Combo waves and (6KV, 100KHz) Ring wave
- Basic Protection on Line-Ground (L-G) & Neutral-Ground (N-G) connections of 12,000 Amps (Max)
- Enhanced Surge Rating on Line-Neutral (L-N) connections of 20,000 Amps (Max) to protect against switching transients found in commercial electrical systems.
- Designated UL 1449 Type 5 Recognized Component in the United States and Canada
- Operating temperature: -35°C to 85°C (ambient)
- 277V Model: Protection for LED drivers capable of operating at 277V input voltage or with universal input range of 120V through 277V
- 480V Model: Protection for LED drivers capable of operating at 480V input voltage or with universal input ranges of 277V through 480V or 347V through 480V



Model	AC Mains Voltage	Max Continuous Operating Voltage		Measured Limiting Voltage Mode: (MLV)	Nominal Current I _n	Max Clamping Voltage 8/20 µS @ 20kA	UL 1449
		AC	DC				
SSP3-277	277V	320V	420V	L-N: 1140V L-G: 1290V N-G: 1280V	5kA	L-G: 2600V L-N: 1800V L-G: 1800V	•
SSP3-480	480V	550V	745V	LA-LB: 1880 LA-G: 2200 LB-G: 2200	5kA	LA-LB: 2700V LA-G: 3800V LB-G: 3800V	•

Line-Ground Neutral-Ground

Pulse rating (8 x 20 µSec)	
Strikes	Surge
1	12,000 A
2	8,000 A
100	3,000 A
1600	750 A

Line-Neutral (277V) Line_A-Line_B (480V)

Pulse rating (8 x 20 µSec)	
Strikes	Surge
1	20,000 A
2	15,000 A
15	10,000 A
100	3,000 A



SSP3 Series

SSP3-277 / SSP3-480

3-Point LED Driver Surge Protector
with 20,000 Amp Max Protection, Line-Neutral



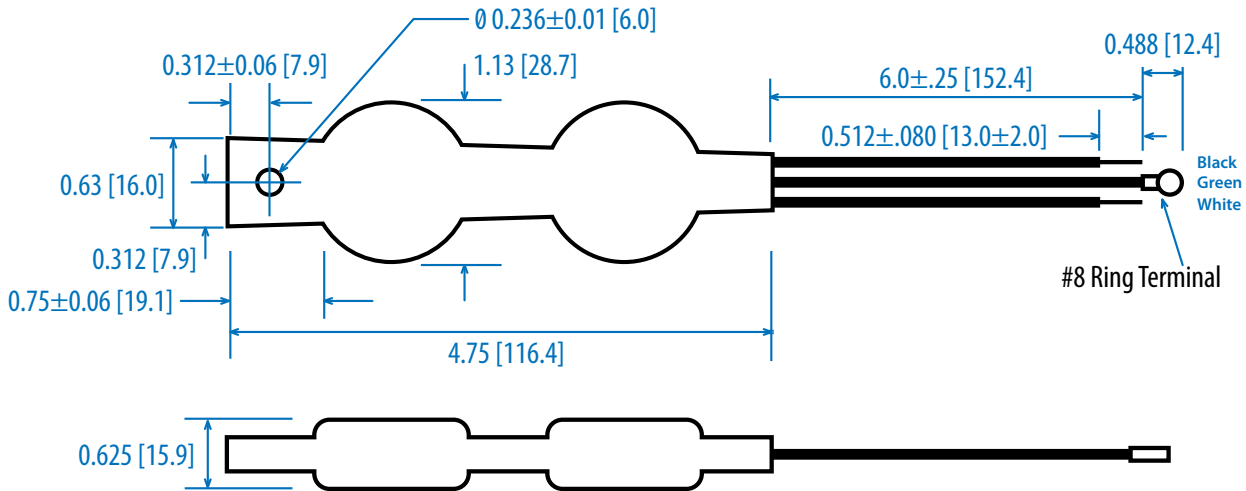
HUBBELL

Lighting Components

Dimensions

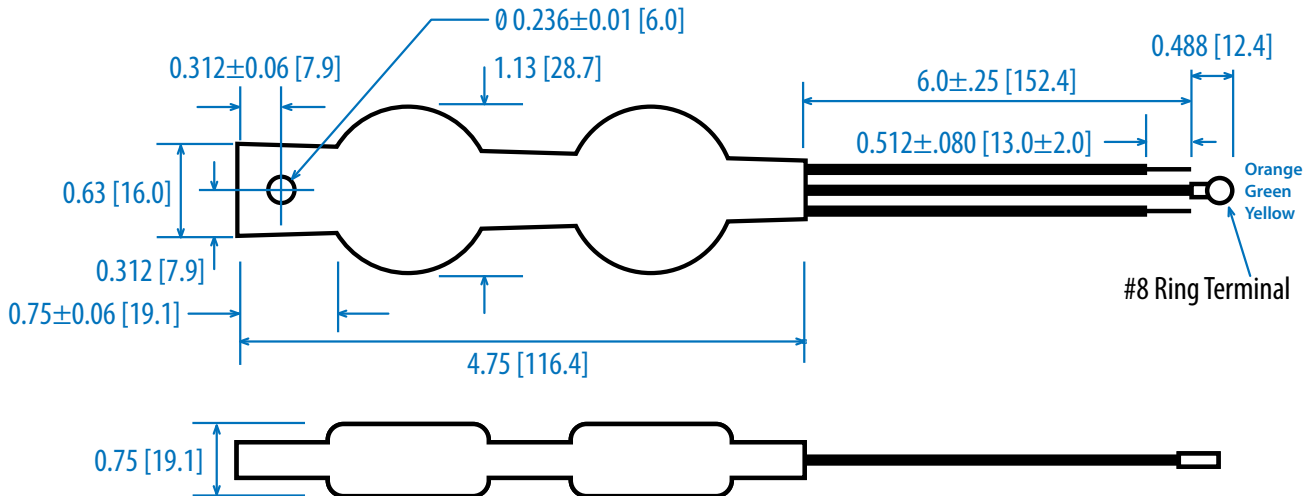
IN [mm]

SSP-277



Leads: 6", stripped 0.51"
Weight: 0.1 lbs/45g
Gauge: 14 AWG

SSP-480



Leads: 6", stripped 0.51"
Weight: 0.1 lbs/45g
Gauge: 14 AWG



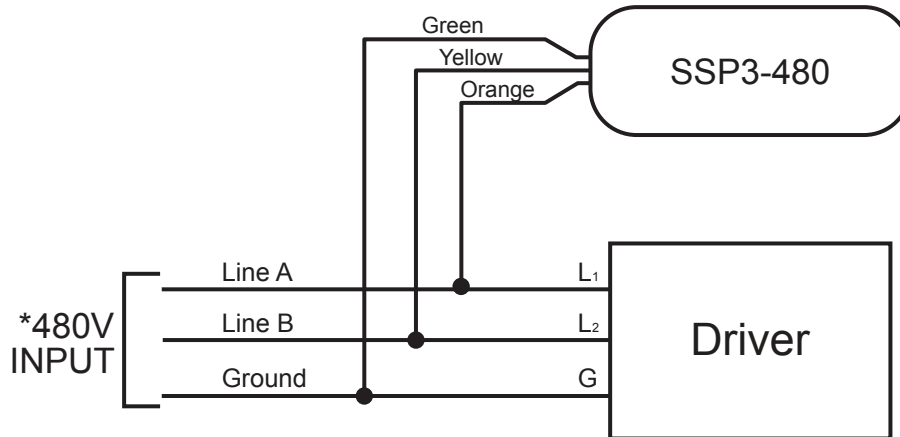
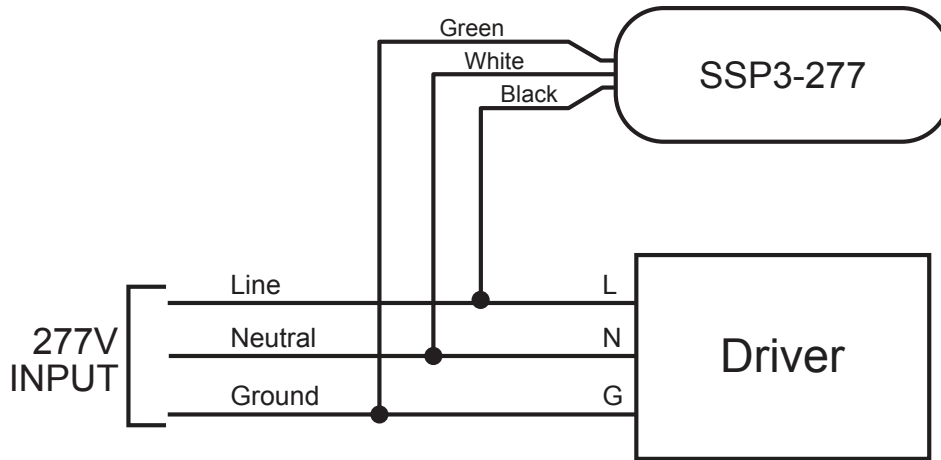
SSP3 Series
SSP3-277 / SSP3-480

3-Point LED Driver Surge Protector
with 20,000 Amp Max Protection, Line-Neutral



HUBBELL
Lighting Components

Wiring



*A single phase input from a 3-phase system uses only 2 phase line connections (A-B, B-L or C-A)