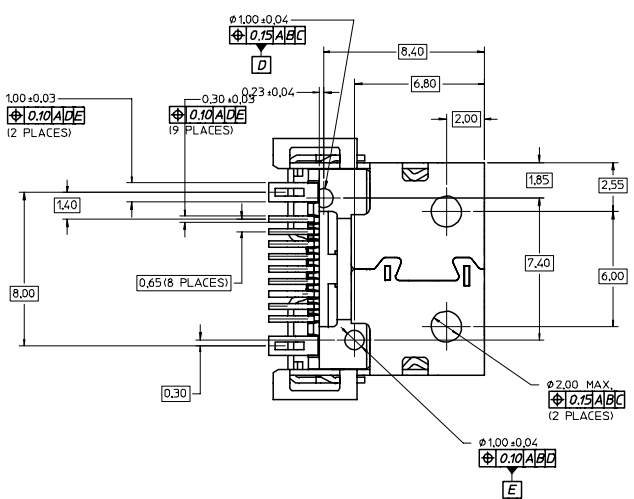
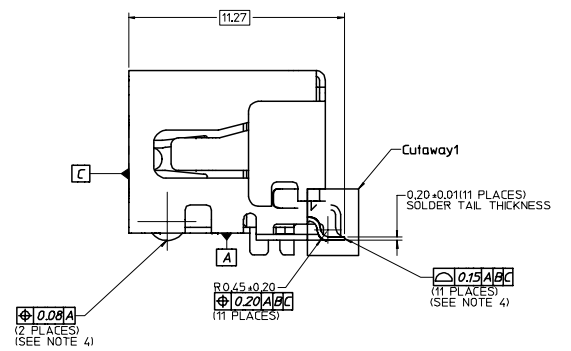
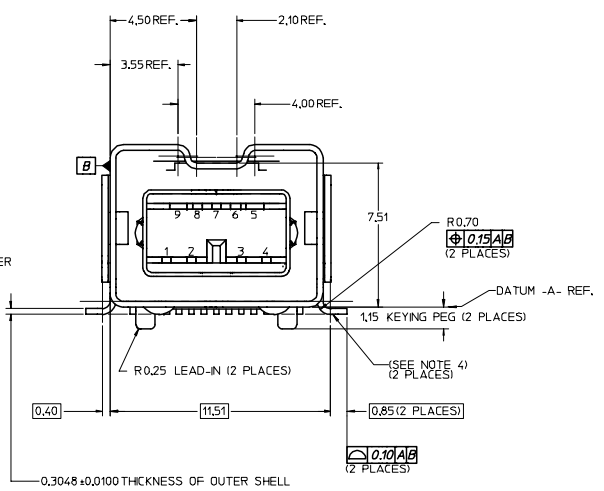
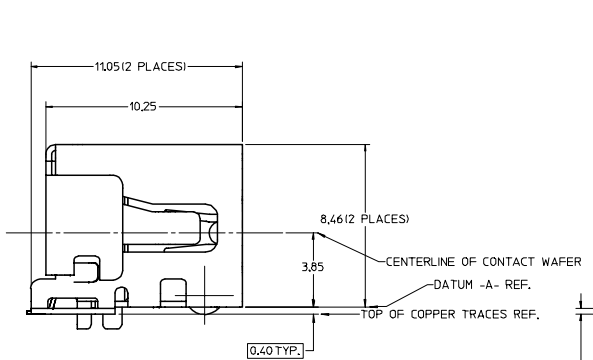
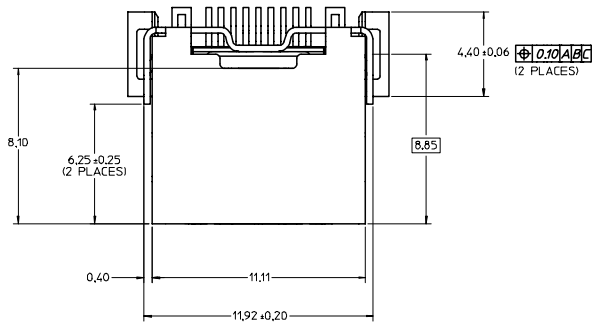


- NOTES:
- MATERIAL:
 - OUTER SHELL: STAINLESS STEEL
 - INNER SHELL: COPPER ALLOY
 - CONTACTS: COPPER ALLOY
 - PLASTIC MOLDINGS: GLASS FILLED LCP, COLOR: BLACK
 - FINISH:
 - OUTER SHELL: 3,05 MICRONS MINIMUM TIN OVER 1,27 MICRONS MINIMUM NICKEL
 - INNER SHELL: 3,05 MICRONS MINIMUM TIN OVER 1,27 MICRONS MINIMUM NICKEL
 - CONTACTS: 0,75 MICRONS MINIMUM SELECT GOLD, AND 3,05 MICRONS MINIMUM SELECT TIN OVER 1,27 MICRONS MINIMUM NICKEL OVERALL
 - THE PRIMARY SHIPPING CARTON WILL BE LABELED "COMPLIANT TO ROHS DIRECTIVE 2002/95/EC AND ELV ANNEX II OF DIRECTIVE 2000/53/EC. CARTONS WITHOUT THIS LABEL MAY CONTAIN PRODUCT WITH TIN-LEAD IN THE PC TAIL AREA
 - PRODUCT SPECIFICATION: PS-45240-001
 - COPLANARITY OF SOLDER POINTS = 0,10mm TOTAL.
 - THE KEYING PEGS ONLY DISTINGUISH THIS BILINGUAL SOCKET FROM A BETA SOCKET. THE KEYING PEGS DO NOT ALIGN THE SOCKET TO THE PCB FOOTPRINT WITH SUFFICIENT PRECISION TO ASSURE CORRECT SOLDERING. THE OVERHANG DEPENDS UPON THE DISTANCE OF THE FOOTPRINT FROM THE EDGE OF THE PCB. THIS 0,08mm NOMINAL OVERHANG IS FOR A 6,00mm NOMINAL DISTANCE FOR THE KEYING HOLE (REFERENCE DATUM -L-).

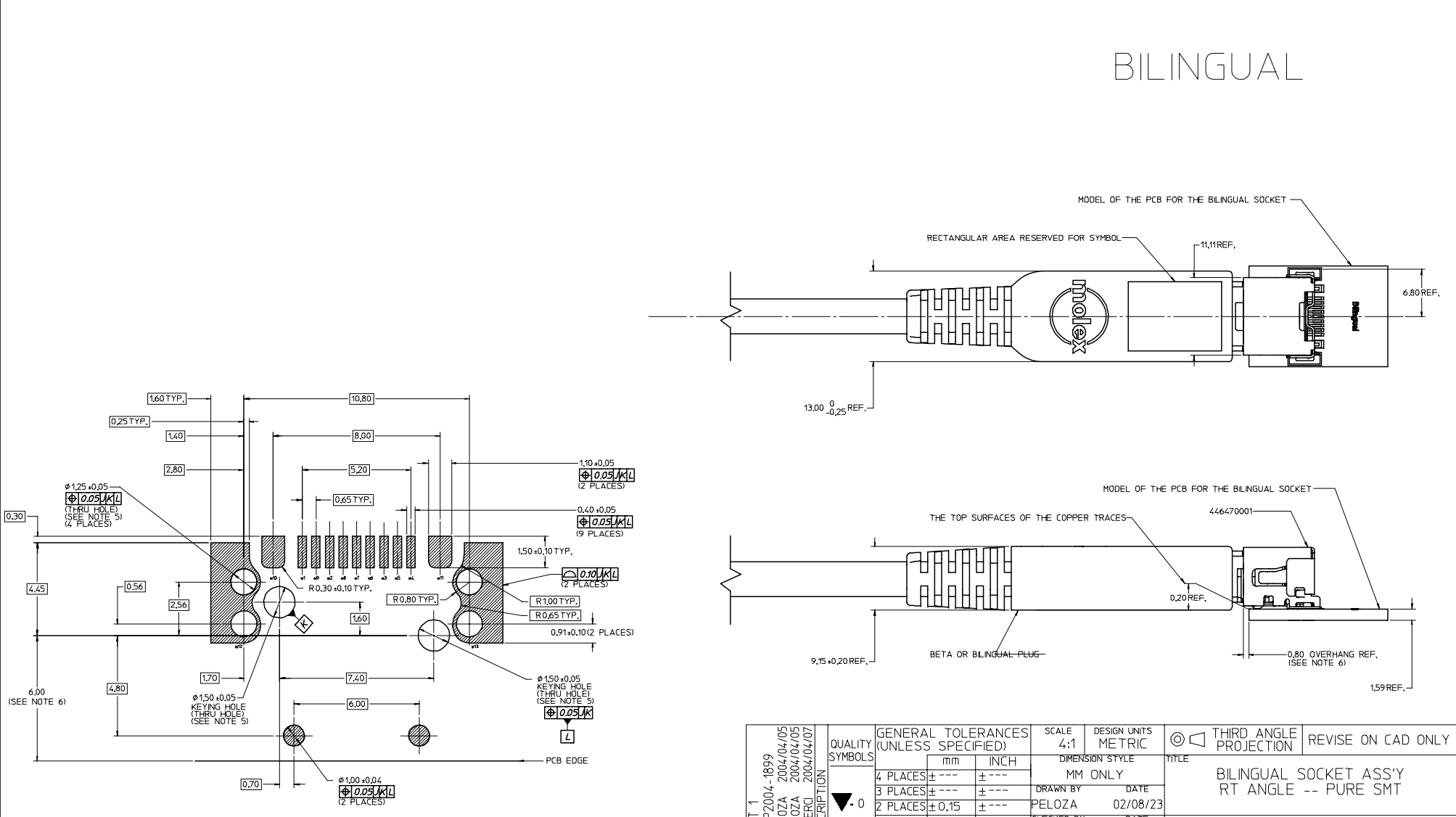


BILINGUAL

REVISED EC NO: UCP2004-1899 DRAWN: KPELOZA 2004/04/05 CHKD: KPELOZA 2004/04/05 APPR: JCOMERC 2004/04/07	QUALITY SYMBOLS ▽ 0 ▽ 0	GENERAL TOLERANCES (UNLESS SPECIFIED)		SCALE 8:1	DESIGN UNITS METRIC	THIRD ANGLE PROJECTION	REVISE ON CAD ONLY
		4 PLACES ± --- ± ---	3 PLACES ± --- ± ---	2 PLACES ± 0,15 ± ---	1 PLACE ± --- ± ---	DIMENSION STYLE MM ONLY	TITLE BILINGUAL SOCKET ASS'Y RT ANGLE -- PURE SMT
REV DESCRIPTION	DRAFT WHERE APPLICABLE MUST REMAIN WITHIN DIMENSIONS	ANGULAR ± 1/2 °		APPROVED BY COMERCI	DATE 02/08/23	MATERIAL NO. 446470001	DOCUMENT NO. SD-44647-001
		THIS DRAWING CONTAINS INFORMATION THAT IS PROPRIETARY TO MOLEX INCORPORATED AND SHOULD NOT BE USED WITHOUT WRITTEN PERMISSION		SHEET NO. 1 OF 2			

BILINGUAL

20 19 18 17 16 15 14 13 12 11 10 9 8 7 6 5 4 3 2 1



SEE SHEET 1	QUALITY SYMBOLS	GENERAL TOLERANCES (UNLESS SPECIFIED)		SCALE 4:1	DESIGN UNITS METRIC	THIRD ANGLE PROJECTION	REVISE ON CAD ONLY	
		mm	INCH	DIMENSION STYLE MM ONLY		TITLE		
EC NO: UCP2004-1899 DRWN: KPELOZA 2004/04/05 CHKD: KPELOZA 2004/04/05 APPR: JCOMERC 2004/04/07	DESCRIPTION	4 PLACES ± --- ± ---		DRAWN BY DATE	BILINGUAL SOCKET ASS'Y RT ANGLE -- PURE SMT			
		3 PLACES ± --- ± ---		PELOZA 02/08/23				
		2 PLACES ± 0,15 ± ---		CHECKED BY DATE	MOLEX INCORPORATED			
		1 PLACE ± --- ± ---		PELOZA 02/08/23				
		ANGULAR ± 1/2 °		APPROVED BY DATE	MATERIAL NO.	DOCUMENT NO.	SHEET NO.	
		DRAFT WHERE APPLICABLE MUST REMAIN WITHIN DIMENSIONS		COMERC 02/08/23	446470001	SD-44647-001	2 OF 2	
		THIS DRAWING CONTAINS INFORMATION THAT IS PROPRIETARY TO MOLEX INCORPORATED AND SHOULD NOT BE USED WITHOUT WRITTEN PERMISSION						D

19 18 17 16 15 14 13 12 11 10 9 8 7 6 5 4 3 2 1