

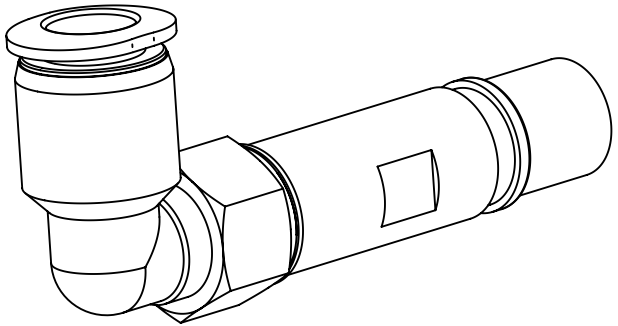
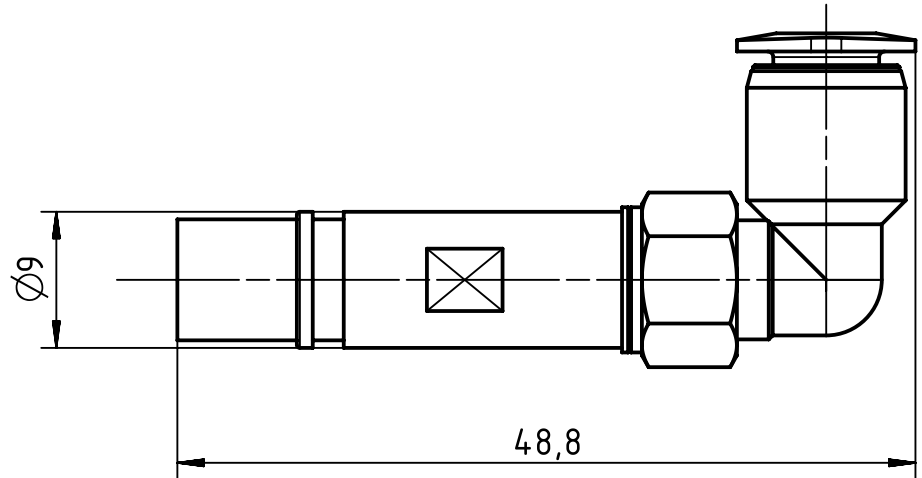
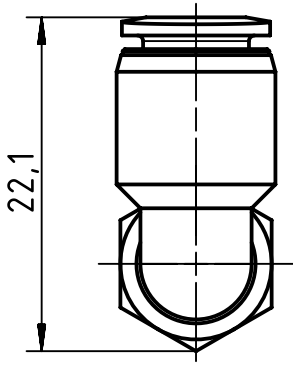
1 2 3 4 5 6

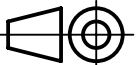

A

B

C

D



	All Dimensions in mm Original Size DIN A4		Scale 2:1	Free size tol.		Ref.		
						Sub.		
	All rights reserved		Created by MOELLERLI	Inspected by BEISCHER	Standardisation RUETERA	Date 2018-05-16	State Final Release	
	Department EL PD		Title Pneum. contact metal OD6mm female angled				Doc-Key / ECM-Nr. 100731914/UGD/001/B 500000133860	
HARTING Electric GmbH & Co. KG D-32339 Espelkamp			Type TB	Number 09 14 000 7456			Rev. B	Page 1/1