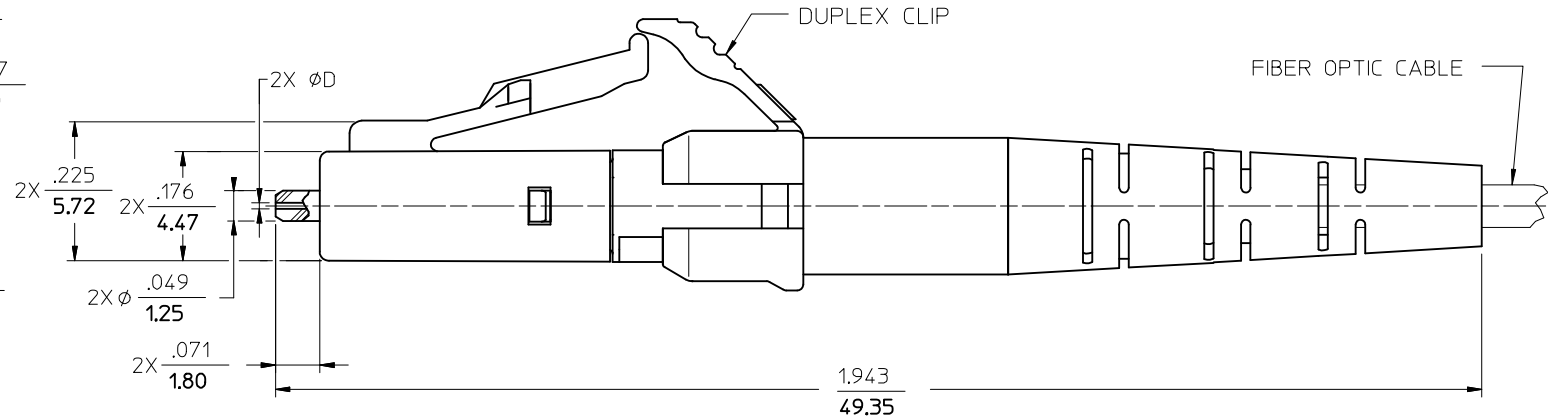
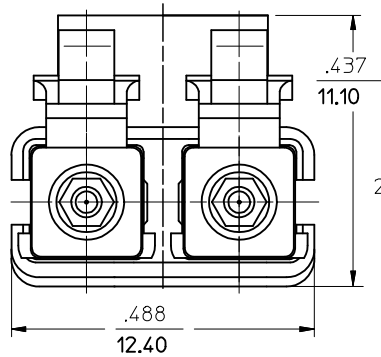


BOOTS

(DUST CAPS NOT SHOWN)



DUPLEX CLIP

FIBER OPTIC CABLE

NOTES:

- 1. DUPLEX CLIP AND BOOTS SHOULD BE ASSEMBLED AFTER POLISHING OPERATION.
- *2. P/N 106025-3320 AND 106025-5320 ARE BULK PACKED IN QUANTITIES OF 100 PCS.

ENTER DESCRIPTION EC NO: MF2013-0203 DR: MANKPEVNER 2012/10/09 CHKD: LGUMIN APPR: LGUMIN 2012/10/09 B1	QUALITY SYMBOLS ▽=0 ▽=0	GENERAL TOLERANCES (UNLESS SPECIFIED) mm INCH 4 PLACES ± --- ± --- 3 PLACES ± --- ± --- 2 PLACES ± --- ± --- 1 PLACE ± --- ± --- 0 PLACE ± ±	DIMENSION STYLE IN/MM DRAWN BY DATE PGIBLIN 2005/09/06 CHECKED BY DATE APPROVED BY DATE	SCALE 5:1 DESIGN UNITS INCH THIRD ANGLE PROJECTION	TITLE LC DUPLEX CONNECTOR
	ANGULAR ±1/2° DRAFT WHERE APPLICABLE MUST REMAIN WITHIN DIMENSIONS	MATERIAL NO. SEE TABLE	DOCUMENT NO. SD-1060DD-DDD0	SHEET NO. 1 OF 1	
	THIS DRAWING CONTAINS INFORMATION THAT IS PROPRIETARY TO MOLEX INCORPORATED AND SHOULD NOT BE USED WITHOUT WRITTEN PERMISSION				
	molex				
	THIS DRAWING CONTAINS INFORMATION THAT IS PROPRIETARY TO MOLEX INCORPORATED AND SHOULD NOT BE USED WITHOUT WRITTEN PERMISSION				

6	5	4	3	2	1
CONNECTOR P/N	∅D (µm)	CONNECTOR BODY COLOR	BOOT COLOR	CABLE DESCRIPTION & ∅ (mm)	CABLE TYPE
106025-2000	125.50	BLUE	WHITE	SIMPLEX 1.6	SINGLE MODE
106025-2300				SIMPLEX 2.0 ZIPCORD 1.6	
106025-2310			BLACK		
106025-3000	127.00	BEIGE	WHITE	SIMPLEX 1.6	MULTIMODE
106025-3300				SIMPLEX 2.0 ZIPCORD 1.6	
106025-3320*					
106025-3310			BLUE		
106025-4000	125.00	BLUE	WHITE	SIMPLEX 1.6	SINGLE MODE
106025-4300				SIMPLEX 2.0 ZIPCORD 1.6	
106025-5000	126.00			SIMPLEX 1.6	
106025-5300			SIMPLEX 2.0 ZIPCORD 1.6		
106025-5320*					
106025-5310			BLUE		
106025-6000	125.25	WHITE	SIMPLEX 1.6	SIMPLEX 2.0 ZIPCORD 1.6	
106025-6300					

ENTER DESCRIPTION EC NO: MF2013-0203 DRWN:KPEVZNER 2012/10/09 CHKD: APPR:IGUMIN 2012/10/09 REV B1	QUALITY SYMBOLS 	GENERAL TOLERANCES (UNLESS SPECIFIED)		DIMENSION STYLE IN/MM		SCALE 5:1	DESIGN UNITS INCH	THIRD ANGLE PROJECTION
		4 PLACES ± --- ± ---	DRAWN BY PGIBLIN	DATE 2005/09/06	TITLE LC DUPLEX CONNECTOR			
		3 PLACES ± --- ± ---	CHECKED BY	DATE				
		2 PLACES ± --- ± ---	APPROVED BY	DATE				
		1 PLACE ± --- ± ---	MATERIAL NO. SEE TABLE	DOCUMENT NO. SD-1060DD-DDD0				SHEET NO. 2 OF 1
0 PLACE ± ±	ANGULAR ±1/2°		THIS DRAWING CONTAINS INFORMATION THAT IS PROPRIETARY TO MOLEX INCORPORATED AND SHOULD NOT BE USED WITHOUT WRITTEN PERMISSION					