

6 5 4 3 2 1

E

D

C

B

A

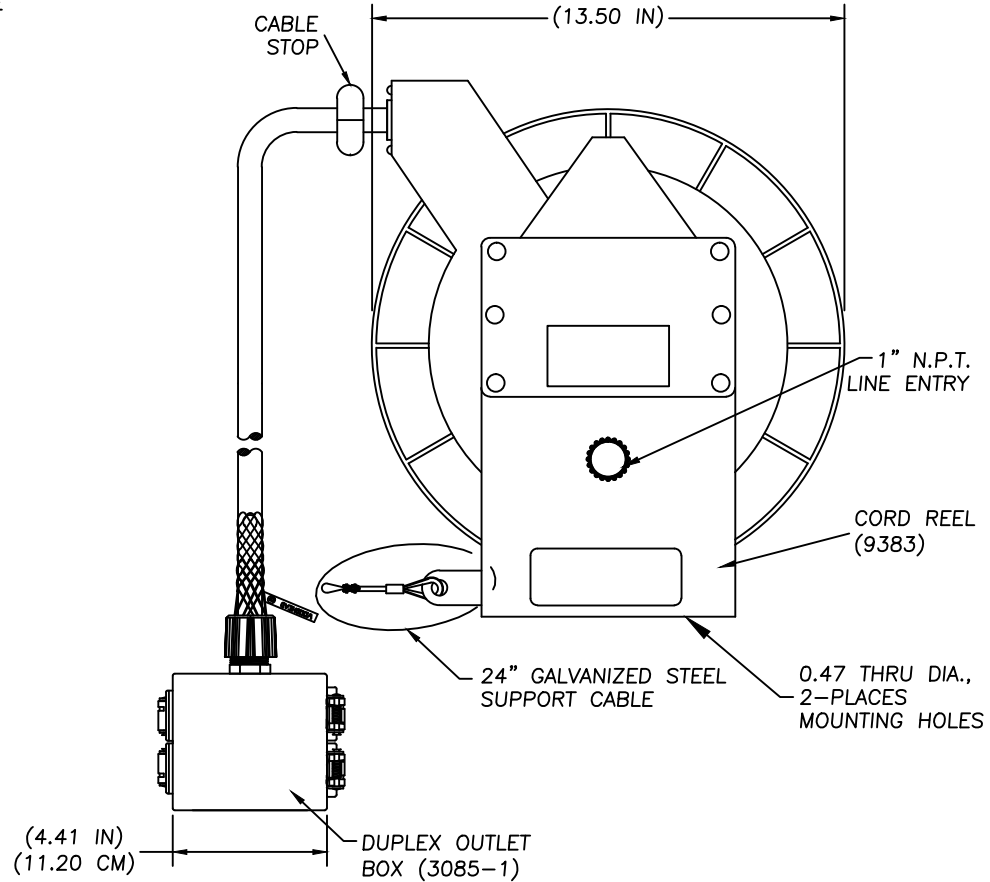
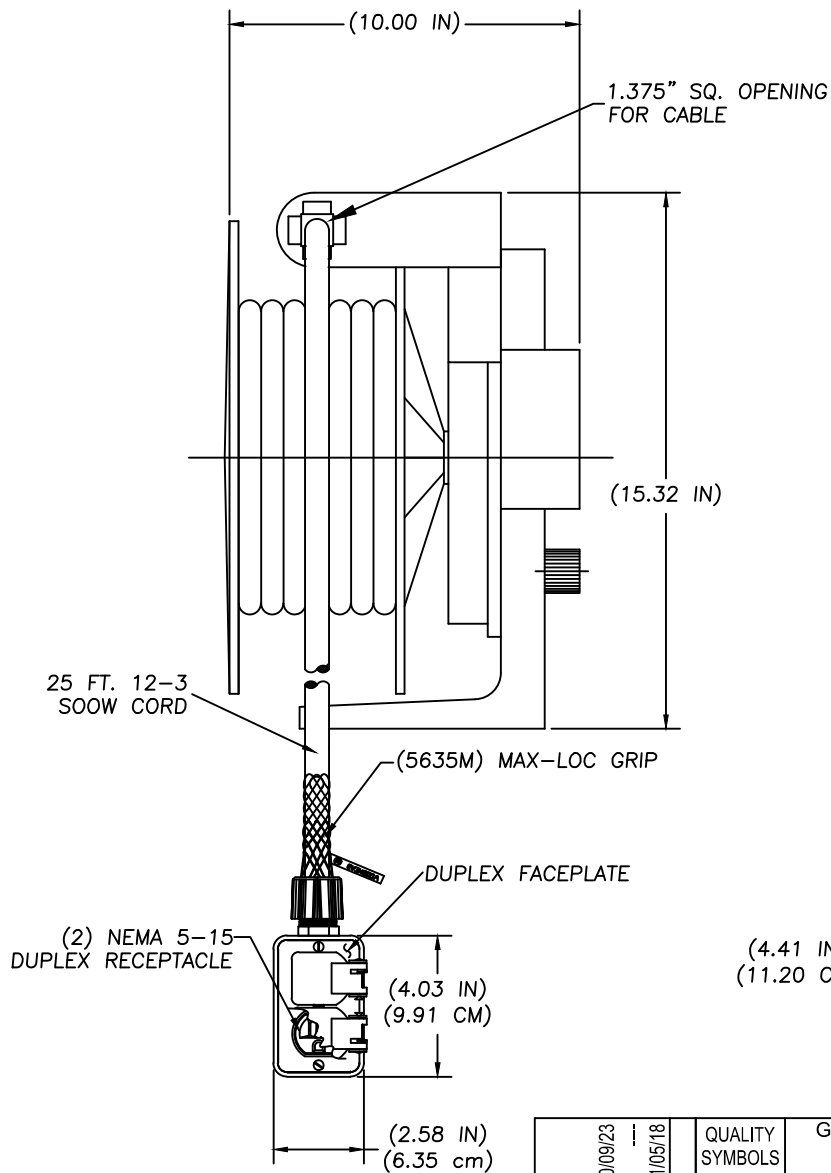
E

D

C

B

A



RELEASE DRAWING EC NO: WNA2011-0565 DRWN: TVICKERS 2010/09/23 CHKD: HKNEELAN APPR: DTITUS 2011/05/18	DESCRIPTION 2011/05/18	QUALITY SYMBOLS	GENERAL TOLERANCES (UNLESS SPECIFIED)		DIMENSION STYLE	SCALE	DESIGN UNITS	THIRD ANGLE PROJECTION		
		$\nabla = 0$ $\sphericalangle = 0$	mm	INCH	IN/MM	NTS	INCH	TITLE 9383 W/25' #12/3 3085-1 OUTLET BOX MESH & SUPPORT CBL		
		4 PLACES ±-- ±-- 3 PLACES ±-- ±.005 2 PLACES ±0.13 ±.010 1 PLACE ±0.25 ±.020			DRAWN BY DATE TVICKERS 2010/09/23	CHECKED BY DATE HKNEELAN 2011/05/17	MOLEX MOLEX INCORPORATED			
		ANGULAR ±.5°	DRAFT WHERE APPLICABLE MUST REMAIN WITHIN DIMENSIONS		APPROVED BY DATE DTITUS 2011/05/18	MATERIAL NO. 1300830899				DOCUMENT NO. SD-130083-028
A	REV	SIZE A		THIS DRAWING CONTAINS INFORMATION THAT IS PROPRIETARY TO MOLEX INCORPORATED AND SHOULD NOT BE USED WITHOUT WRITTEN PERMISSION						

6 5 4 3 2 1