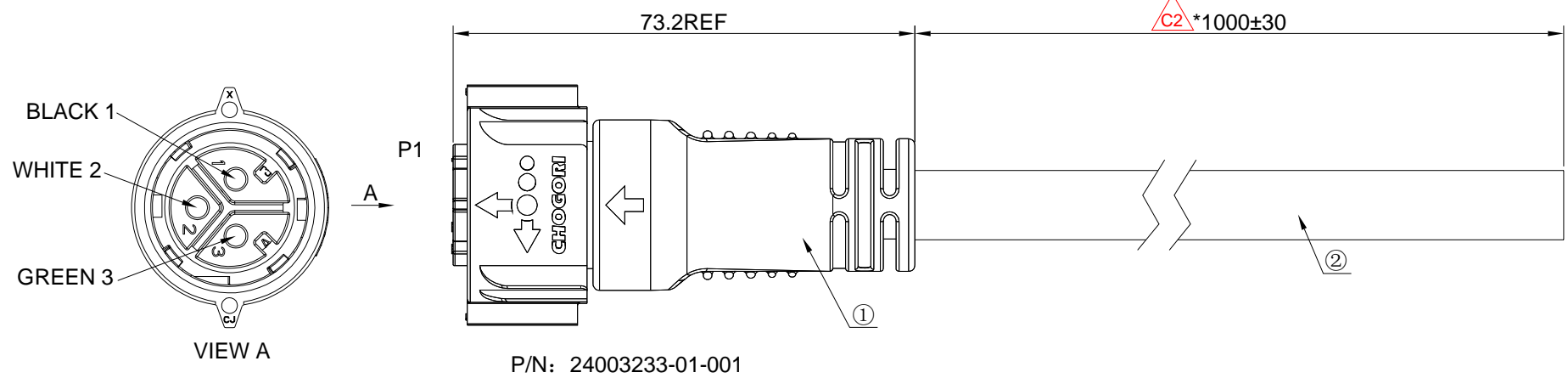


5	6	7	8
REV.	ECN NO.	DATE	SIGN
C1	NA	2022/05/29	XU
C2	NA	2022/07/18	XU

DESCRIPTION
First Version
Change The Length To 1000mm

THIS INFORMATION IS CONFIDENTIAL AND IS DISCLOSED TO YOU ON CONDITION THAT NO FURTHER DISCLOSURE IS MADE BY YOU TO OTHER THAN CHOGORI PERSONNEL WITHOUT AUTHORIZATION FROM CHOGORI CORP.



- SPECIFICATIONS:**
- 1.INSULATION RESISTANCE: 10MΩ@500VDC/0.01S.
 - 2.VOLTAGE RATING: 300V.
 - 3.CURRENT RATING: 35A.
 - 4.OPERATION TEMPERATURE: -10℃~+105℃.
 - 5.WATERPROOF IPX7(MATED).
 - 6.RoHS COMPLIANT.

2	900-00301-00037	A/R	M	SJTW 3*12AWG PVC 105℃ 300V BLACK OD11.0
1	24003233-01-001	1	PC	LARGE SERIES 3PIN MALE CONNECTOR WITH FEMALE PIN(4 LOCKS,MOLDING,-501)
No.	Material No.	Q'ty	Unit	Material Description

Material List

ITEM NO.	11C03622051502	DRAWN BY	XU	DATE	2022/06/24
DWG NO.	11C03622051502	CHECKED BY		DATE	
CUSTOMER NO.		REV.		APPROVED BY	DATE

UNIT:mm		TITLE	LARGE SERIES 3PIN MALE CONNECTOR WITH FEMALE PIN(4 LOCKS,MOLDING,-501) L=1000MM		
未注线性和角度尺寸公差 UNSPECIFIED TOLERANCE		SCALE	N/A	SHEET	1 of 1
GB/T 1804-M		REV.	C2	SIZE	A4
					* Inspection Item

CHOGORI[®]
Chogori Technology Co., Ltd

Grid labels: 1, 2, 3, 4, 5, 6, 7, 8 (columns); F, E, D, C, B, A (rows)