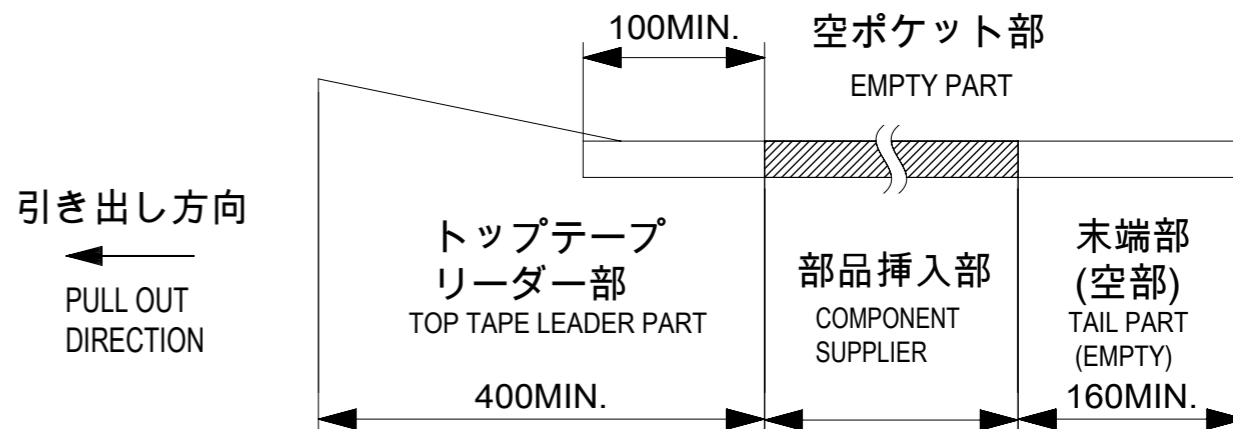


NOTES

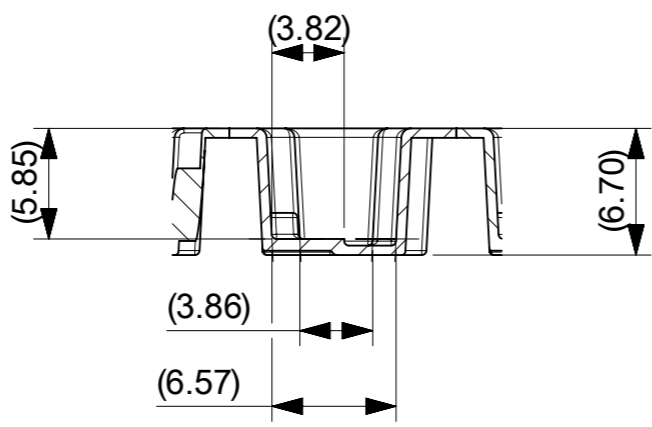
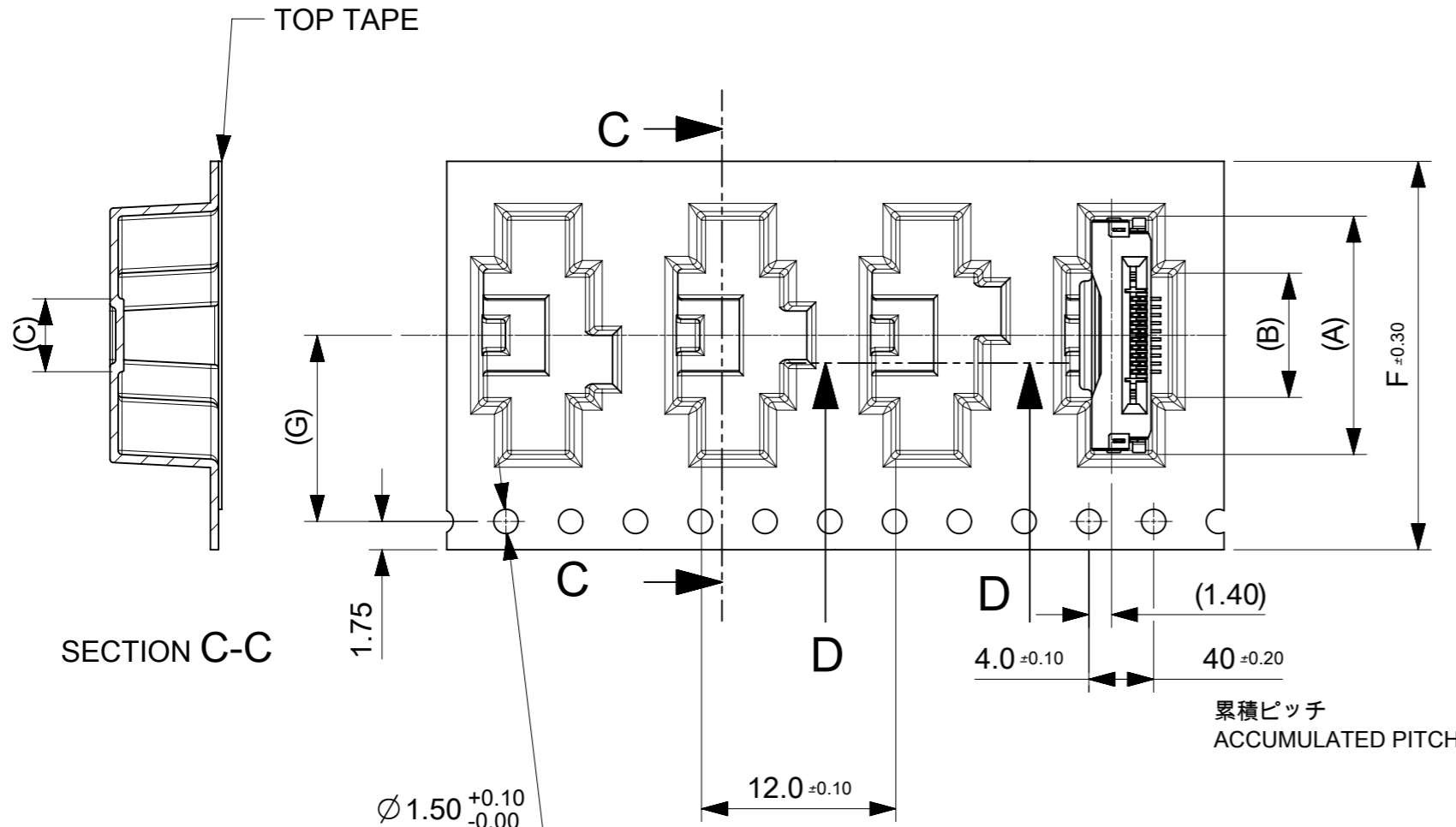
- 梱包数量 : 1200個 / リール
NUMBER OF CONNECTORS : 1200 PCS/REEL.
- リードテープ長さ
LEAD TAPE LENGTH



- カバーテープの剥離強度については、IEC60286-3に準拠。
TOP TAPE PEEL FORCE IS DEFINED BY IEC 60286-3.
- 製品詳細寸法については、図面 2004851100を参照下さい。
FOR DIMENSIONS OF PRODUCT, REFER TO 2004851100
- 材料 MATERIAL
キャリアテープ : ポリスチレン
CARRIER TAPE : POLYSTYRENE
トップテープ : ポリエチレンテレフタレート、ポリエチレン
TOP TAPE : POLYETHYLENE TEREPHTHALATE, POLYETHYLENE
リール : ポリスチレン<リサイクル材を含む>
REEL: POLYSTYRENE RECYCLED MATERIAL CONTAINED
- ELV及びRoHS適合品 ELV AND RoHS COMPLIANT.

THIS DRAWING CONTAINS INFORMATION THAT IS PROPRIETARY TO MOLEX ELECTRONIC TECHNOLOGIES, LLC AND SHOULD NOT BE USED WITHOUT WRITTEN PERMISSION		CURRENT REV DESC:		molex		
DIMENSION UNITS	SCALE					
mm	NTS			EMB PKG ONE-TOUCH ST HT		
GENERAL TOLERANCES (UNLESS SPECIFIED)				PRODUCT CUSTOMER DRAWING		
ANGULAR TOL	± 1.0 °			DOCUMENT NUMBER		
4 PLACES	± 0.1	EC NO: 648126		2004850100		
3 PLACES	± 0.1	DRWN: TYAMANE		PSD		
2 PLACES	± 0.1	CHK'D: YMATSUMOTO		000		
1 PLACE	± 0.1	APPR: SHOSHIKAWA		B		
0 PLACES	± 0.1	INITIAL REVISION:		REVISION		
DRAFT WHERE APPLICABLE MUST REMAIN WITHIN DIMENSIONS		THIRD ANGLE PROJECTION	DRAWING	SERIES	MATERIAL NUMBER	CUSTOMER
		⊕	A3-SIZE	200485	SEE TABLE	GENERAL
						SHEET NUMBER
						1 OF 3

引き出し方向
PULL OUT
DIRECTION



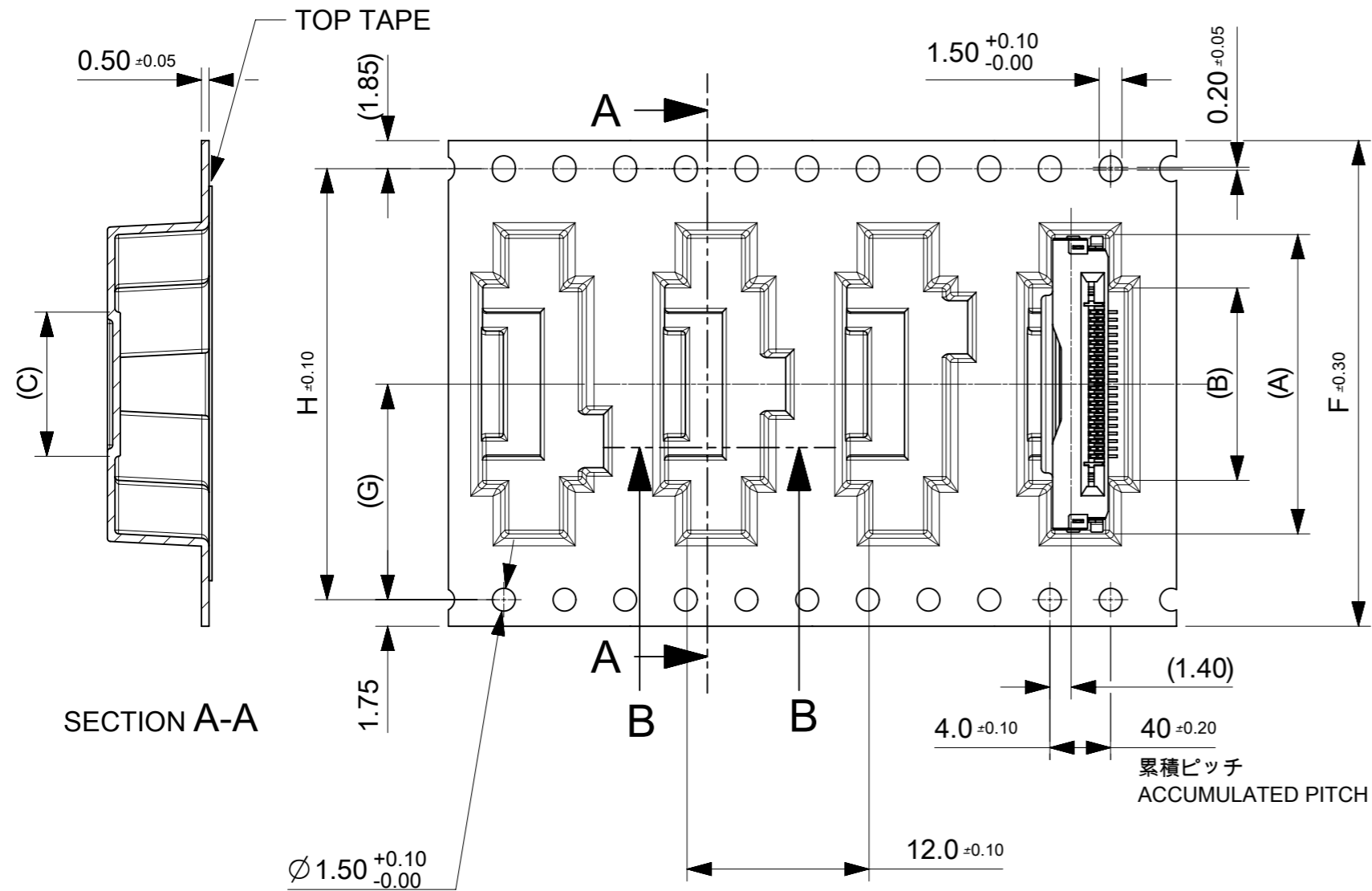
SECTION D-D

11.5	24	29.4	25.4	4.5	7.65	14.7	2004850110	10
G	F	E	D	C	B	A	EMBOSSED PACKAGE	Ckt
							オーダー番号 ORDER NO.	

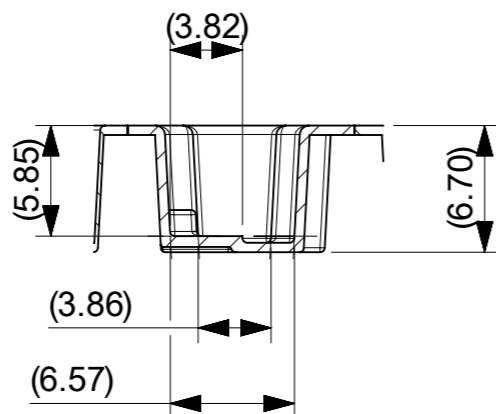
THIS DRAWING CONTAINS INFORMATION THAT IS PROPRIETARY TO MOLEX ELECTRONIC TECHNOLOGIES, LLC AND SHOULD NOT BE USED WITHOUT WRITTEN PERMISSION									
DIMENSION UNITS mm		SCALE NTS		CURRENT REV DESC:				molex	
GENERAL TOLERANCES (UNLESS SPECIFIED)		ANGULAR TOL ± 1.0°		EC NO: 648126					
4 PLACES ± 0.1		3 PLACES ± 0.1		DRWN: TYAMANE		2020/10/15		EMB PKG ONE-TOUCH ST HT	
2 PLACES ± 0.1		1 PLACE ± 0.1		CHK'D: YMATSUMOTO		2020/10/30		PRODUCT CUSTOMER DRAWING	
0 PLACES ± 0.1		INITIAL REVISION:		APPR: SHOSHIKAWA		2020/11/02		DOCUMENT NUMBER	
DRAFT WHERE APPLICABLE MUST REMAIN WITHIN DIMENSIONS		THIRD ANGLE PROJECTION		DRAWING		SERIES		MATERIAL NUMBER	
		A3-SIZE		200485		2018/10/04		CUSTOMER	
				2020/06/08		2004850100		PSD 000 B	
						GENERAL		SHEET NUMBER	
						2 OF 3			

CONNECTOR NO. 20048511**

引き出し方向
PULL OUT
DIRECTION



SECTION A-A



SECTION B-B

CONNECTOR NO. 20048511**

68.4	34.2	72	78.1	73.5	39.5	42.65	49.7	2004850180	80
					34.5	37.65	44.7	2004850170	70
52.4	26.2	56	61.4	75.4	29.5	32.65	39.7	2004850160	60
					25	28.15	35.2	2004850151	51
					24.5	27.65	34.7	2004850150	50
40.4	20.2	44	49.4	45.4	19.5	22.65	29.7	2004850140	40
					17	20.15	27.2	2004850135	35
					14.5	17.65	24.7	2004850130	30
28.4	14.2	32	37.4	33.4	9.5	12.65	19.7	2004850120	20
H	G	F	E	D	C	B	A	EMBOSSED PACKAGE	Ckt
								オーダー番号 ORDER NO.	

THIS DRAWING CONTAINS INFORMATION THAT IS PROPRIETARY TO MOLEX ELECTRONIC TECHNOLOGIES, LLC AND SHOULD NOT BE USED WITHOUT WRITTEN PERMISSION

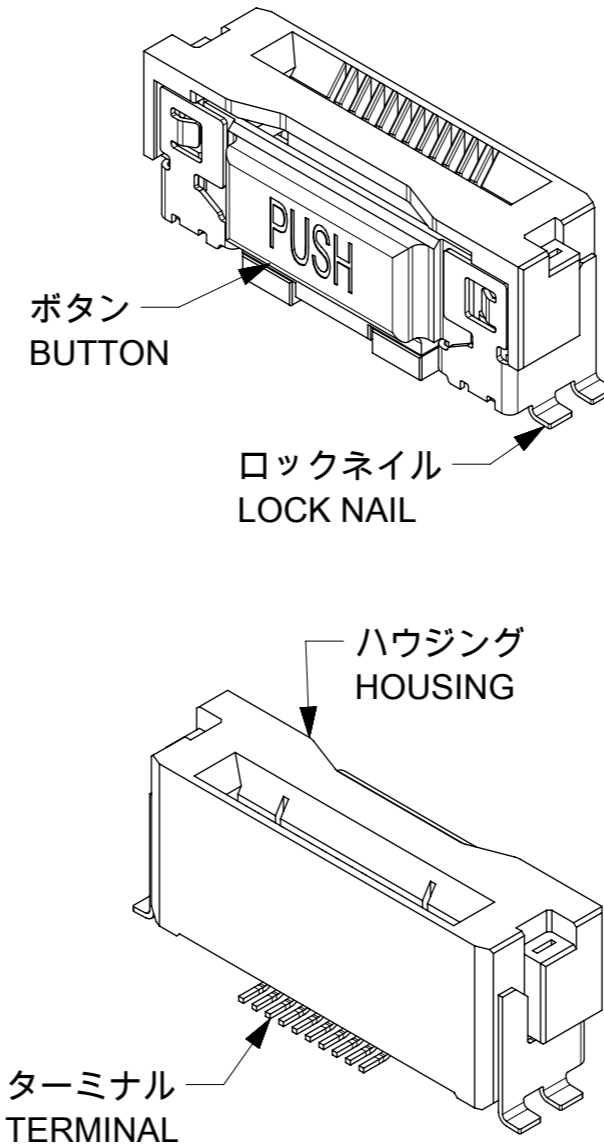
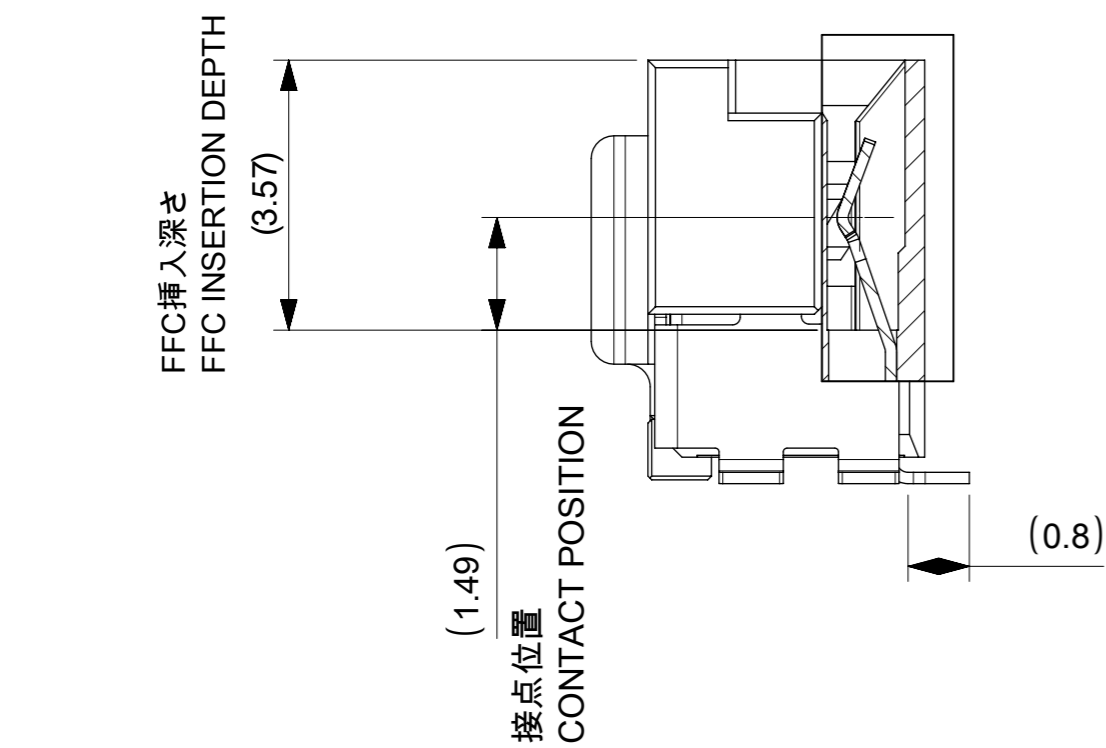
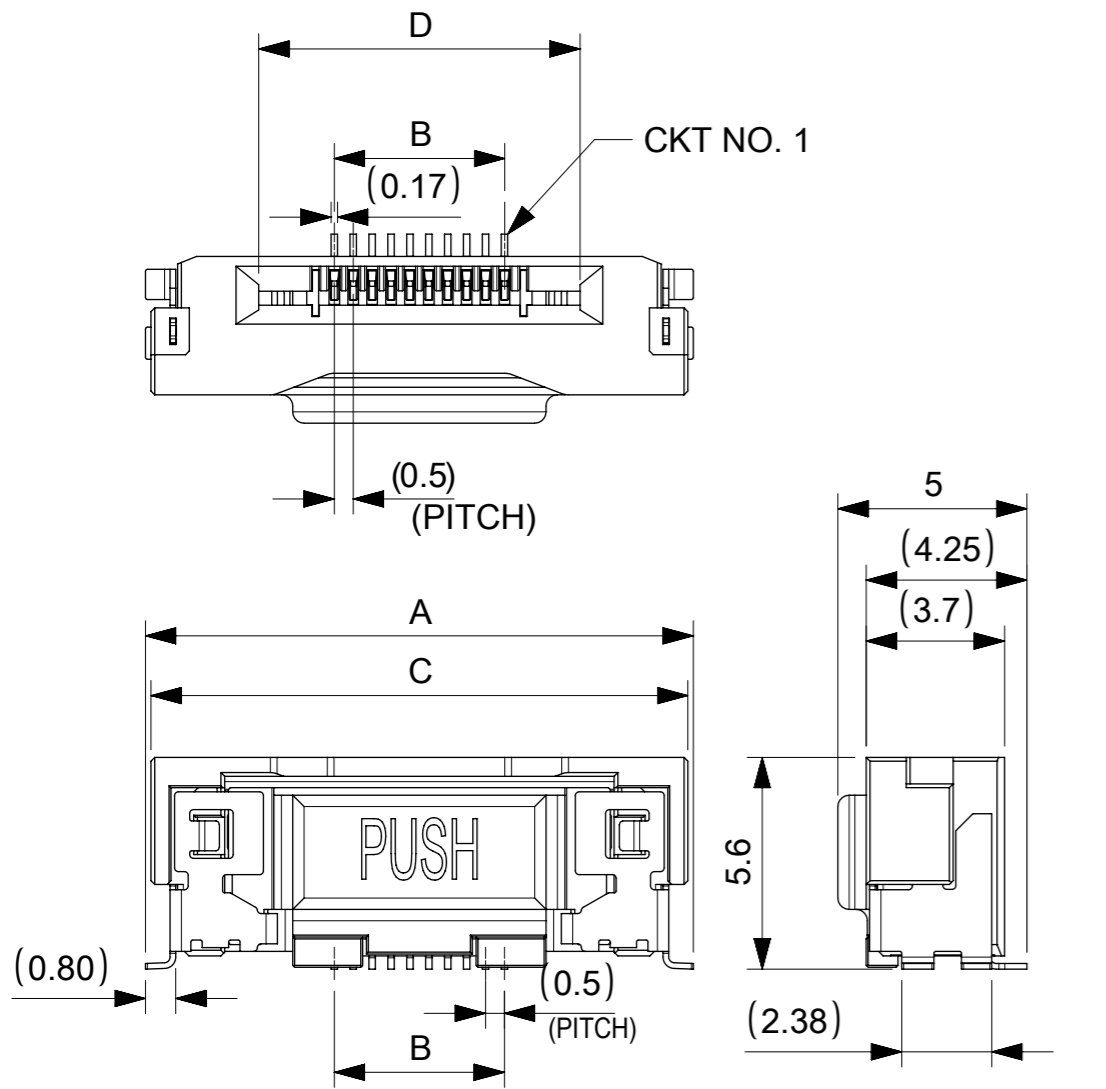
DIMENSION UNITS	SCALE	CURRENT REV DESC:	
mm	NTS		
GENERAL TOLERANCES (UNLESS SPECIFIED)			
ANGULAR TOL	± 1.0 °		
4 PLACES	± 0.1	EC NO: 648126	
3 PLACES	± 0.1	DRWN: TYAMANE	2020/10/15
2 PLACES	± 0.1	CHK'D: YMATSUMOTO	2020/10/30
1 PLACE	± 0.1	APPR: SHOSHIKAWA	2020/11/02
0 PLACES	± 0.1	INITIAL REVISION:	
DRAFT WHERE APPLICABLE MUST REMAIN WITHIN DIMENSIONS		DRWN: TYAMANE	2018/10/04
THIRD ANGLE PROJECTION		APPR: SHOSHIKAWA	2020/06/08
DRAWING		SERIES	MATERIAL NUMBER
A3-SIZE		200485	SEE TABLE
CUSTOMER		GENERAL	
SHEET NUMBER		3 OF 3	

molex

EMB PKG ONE-TOUCH ST HT

PRODUCT CUSTOMER DRAWING

DOCUMENT NUMBER: 2004850100 | DOC TYPE: PSD | DOC PART: 000 | REVISION: B

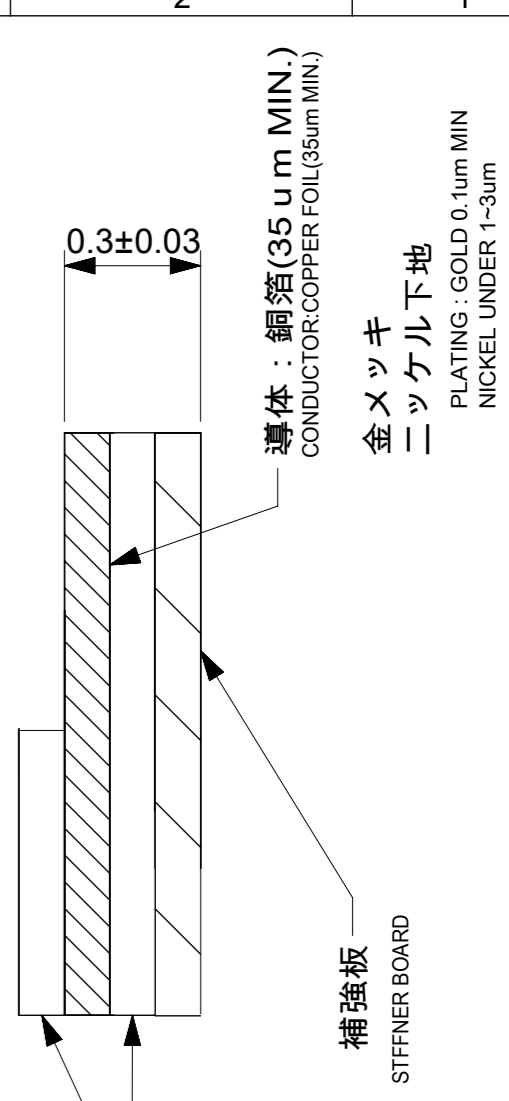
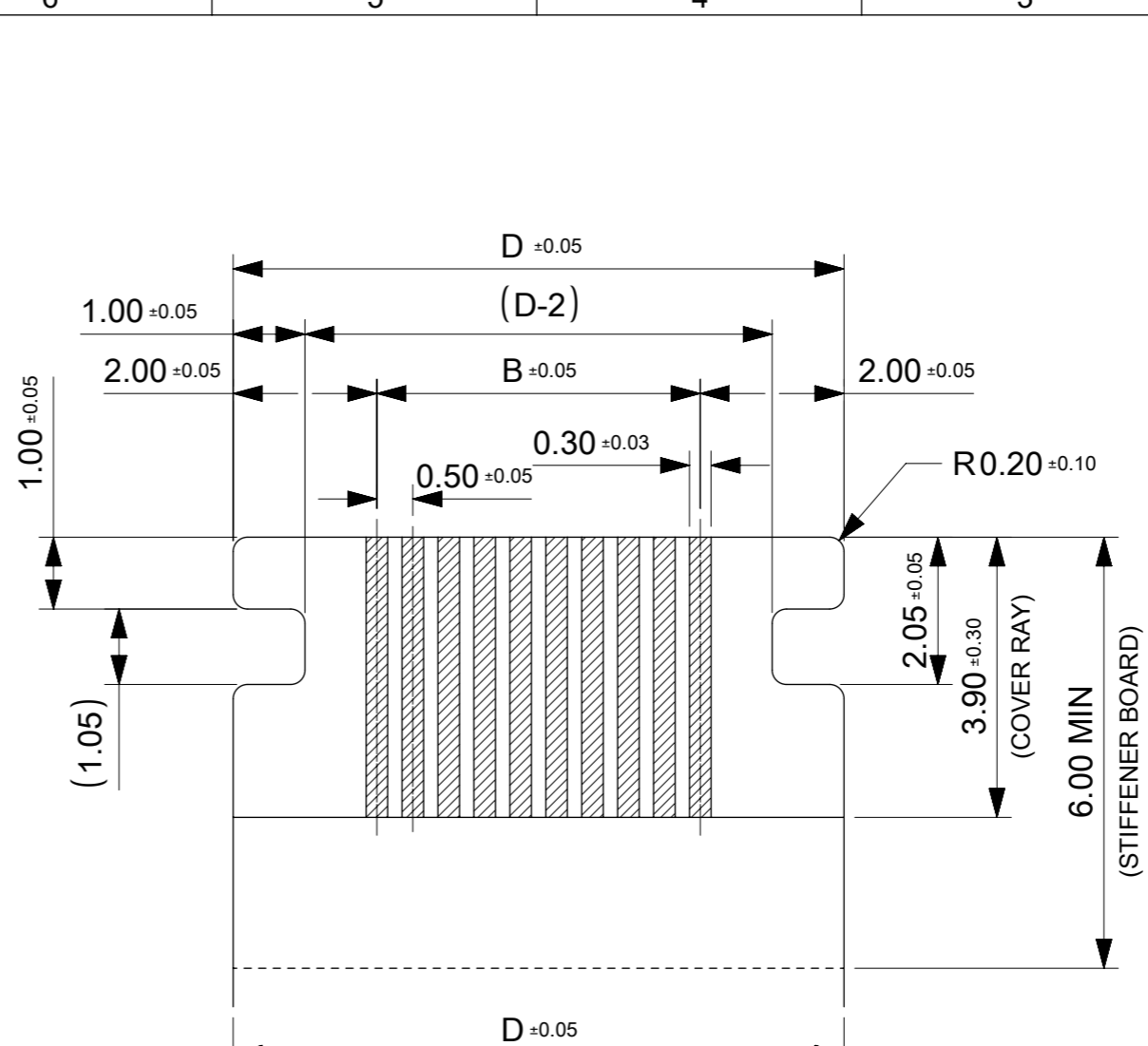
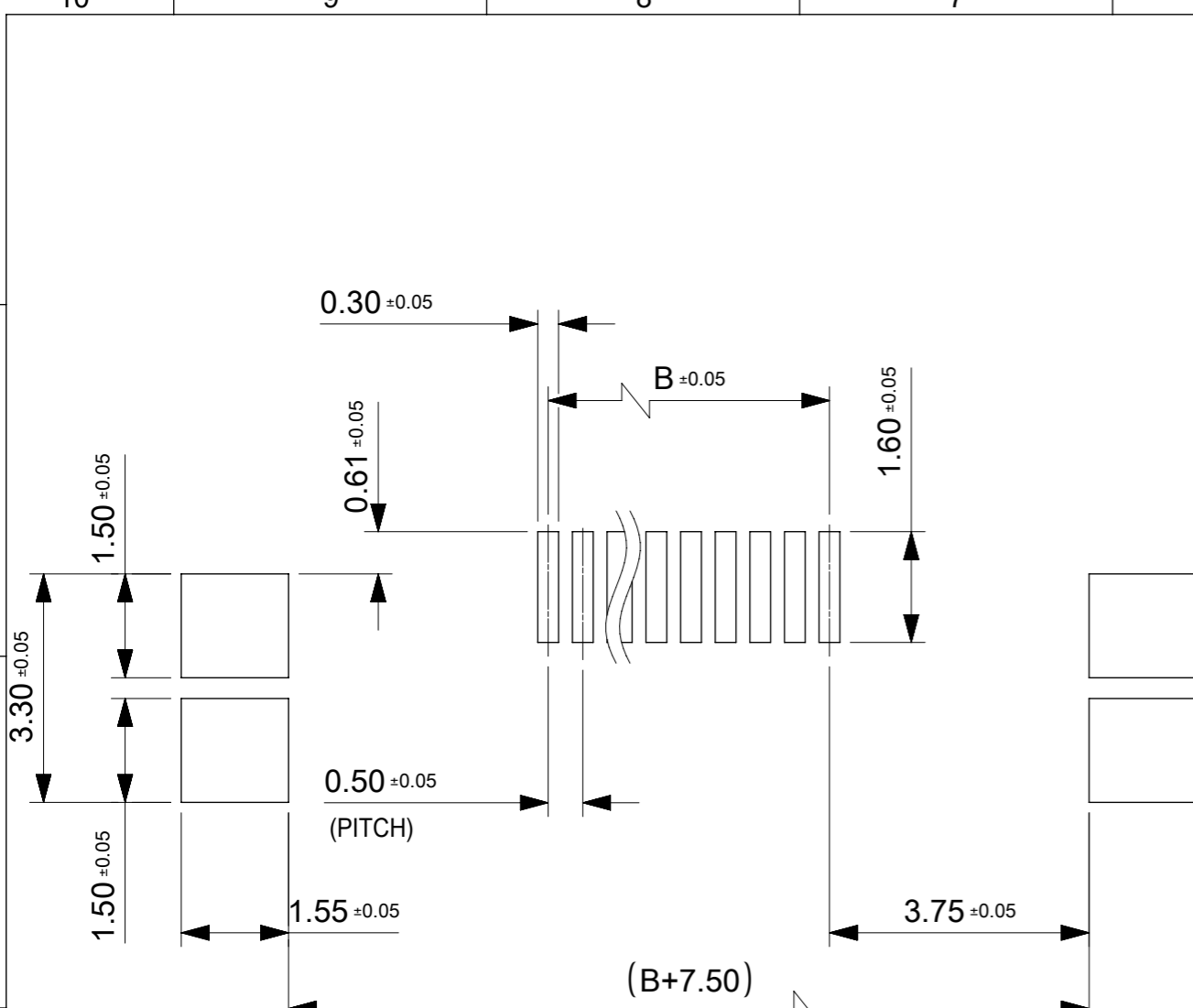


NOTES:

- 1.使用材料 MATERIAL
 - ハウジング : 液晶ポリマー, ガラス充填, UL94V-0(黒)
 - HOUSING : LIQUID CRYSTAL POLYMER, GLASS FILLED, UL94V-0(BLACK)
 - ボタン : 液晶ポリマー, ガラス充填, UL94V-0(ナチュラル)
 - BUTTON : LIQUID CRYSTAL POLYMER, GLASS FILLED, UL94V-0(NATURAL)
 - ターミナル : 銅合金(t=0.15)
 - TERMINAL : COPPER ALLOY
 - ロックネイル : 銅合金(t=0.15)
 - LOCK NAIL : COPPER ALLOY
- 2.めっき仕様 PLATING
 - ターミナル TERMINAL
 - 接点部 : 金めっき 0.1μm以上
 - CONTACT AREA : GOLD 0.1 MICROMETER MINIMUM
 - 半田付け部 : 金めっき
 - SOLDER TAIL AREA : GOLD
 - 下地めっき : ニッケル 1.0μm以上
 - UNDERPLATE : NICKEL 1.0 MICROMETER MINIMUM
 - ロックネイル LOCK NAIL
 - 錫めっき(1.0μm以上)
 - TIN PLATING (1.0 MICROMETER MIN.)
- 3.平坦度は0.1ミリ以下とする。
 - COPLANALITY TO BE 0.1 MAXIMUM.

1.301	43.5	49.2	39.5	49.49	2004850180	80
1.194	38.5	44.2	34.5	44.49	2004850170	70
1.053	33.5	39.2	29.5	39.49	2004850160	60
0.958	29	34.7	25	34.99	2004850151	51
0.942	28.5	34.2	24.5	34.49	2004850150	50
0.796	23.5	29.2	19.5	29.49	2004850140	40
0.702	21	26.7	17	26.99	2004850135	35
0.650	18.5	24.2	14.5	24.49	2004850130	30
0.504	13.5	19.2	9.5	19.49	2004850120	20
0.358	8.5	14.2	4.5	14.49	2004850110	10
NET WEIGHT (g)	D	C	B	A	EMBOSSED PACKAGE	CIRCUIT
CONNECTOR SERIES NO. 20048511**						

THIS DRAWING CONTAINS INFORMATION THAT IS PROPRIETARY TO MOLEX ELECTRONIC TECHNOLOGIES, LLC AND SHOULD NOT BE USED WITHOUT WRITTEN PERMISSION						
DIMENSION UNITS	SCALE	CURRENT REV DESC:				
mm	5:1	<div style="text-align: center;">molex</div> 0.5FFFC CONN. ST ONE TOUCH ASS'Y HT PRODUCT CUSTOMER DRAWING				
GENERAL TOLERANCES (UNLESS SPECIFIED)						
ANGULAR TOL	± 1.0°					
4 PLACES	± 0.1					
3 PLACES	± 0.1					
2 PLACES	± 0.1					
1 PLACE	± 0.1	EC NO: 674194 DRWN: AHMADI2 2021/08/18		2021/08/19 CHK'D: TKON APPR: SHOSHIKAWA 2021/08/19		
0 PLACES	± 0.1	INITIAL REVISION: DRWN: TYAMANE 2018/09/21 APPR: SHOSHIKAWA 2020/06/08		DOCUMENT NUMBER 2004851100		
DRAFT WHERE APPLICABLE MUST REMAIN WITHIN DIMENSIONS		THIRD ANGLE PROJECTION	DRAWING	SERIES	MATERIAL NUMBER	CUSTOMER
			A3-SIZE	200485	SEE TABLE	GENERAL
				SHEET NUMBER	1 OF 2	



推奨PWB寸法
 RECOMMENDED PWB DIMENSION
 推奨メタルマスク厚、開口率 : t=0.12mm, 80%
 RECOMMENDED METAL MASK THICKNESS, APERTURE RATIO : t=0.12mm, 80%
 ロックネイル部開口率は100%
 APERTURE RATIO FOR LOCK NAIL: 100%

推奨FFC寸法
 RECOMMENDED FFC DIMENSION
 抜き方向は導体側から補強版側を推奨します
 RECOMMENDED PUNCHING DIRECTION:
 FROM CONDUCTOR SIDE TO STIFFENER SIDE

導体 : 銅箔(35 μm MIN.)
 CONDUCTOR: COPPER FOIL(35μm MIN.)
 金メッキ
 ニッケル下地
 PLATING : GOLD 0.1μm MIN
 NICKEL UNDER 1~3μm

THIS DRAWING CONTAINS INFORMATION THAT IS PROPRIETARY TO MOLEX ELECTRONIC TECHNOLOGIES, LLC AND SHOULD NOT BE USED WITHOUT WRITTEN PERMISSION									
DIMENSION UNITS		SCALE		CURRENT REV DESC:				molex	
mm		10:1							
GENERAL TOLERANCES (UNLESS SPECIFIED)				EC NO: 674194					
ANGULAR TOL ± 1.0 °				4 PLACES ± 0.1		DRWN: AHMADI2		2021/08/18	
				3 PLACES ± 0.1		CHK'D: TKON		2021/08/19	
				2 PLACES ± 0.1		APPR: SHOSHIKAWA		2021/08/19	
				1 PLACE ± 0.1		INITIAL REVISION:			
				0 PLACES ± 0.1		DRWN: TYAMANE		2018/09/21	
						APPR: SHOSHIKAWA		2020/06/08	
DRAFT WHERE APPLICABLE MUST REMAIN WITHIN DIMENSIONS		THIRD ANGLE PROJECTION		DRAWING		SERIES		MATERIAL NUMBER	
		A3-SIZE		200485		SEE TABLE		CUSTOMER GENERAL	
DOCUMENT STATUS		P1		RELEASE DATE		2021/08/19		01:59:51	