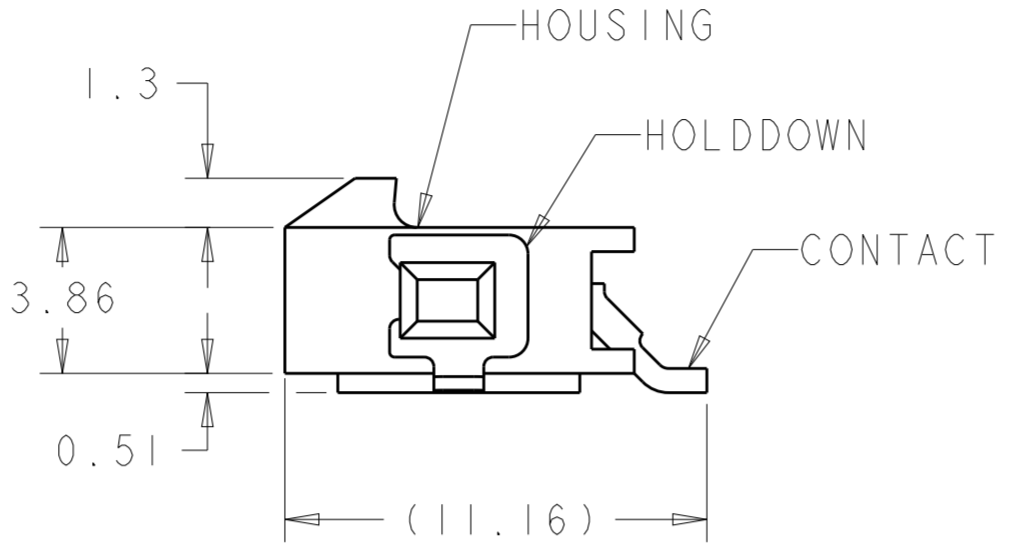
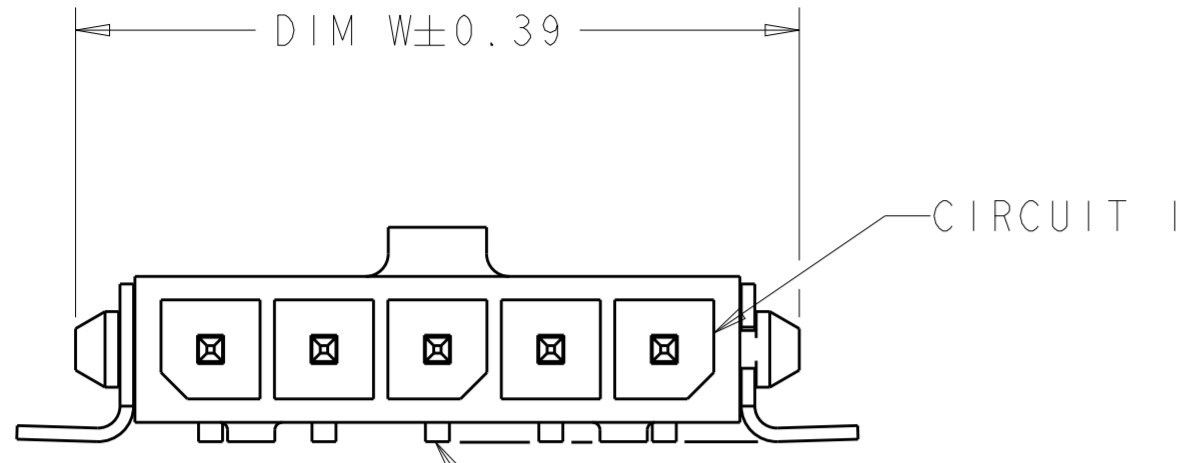
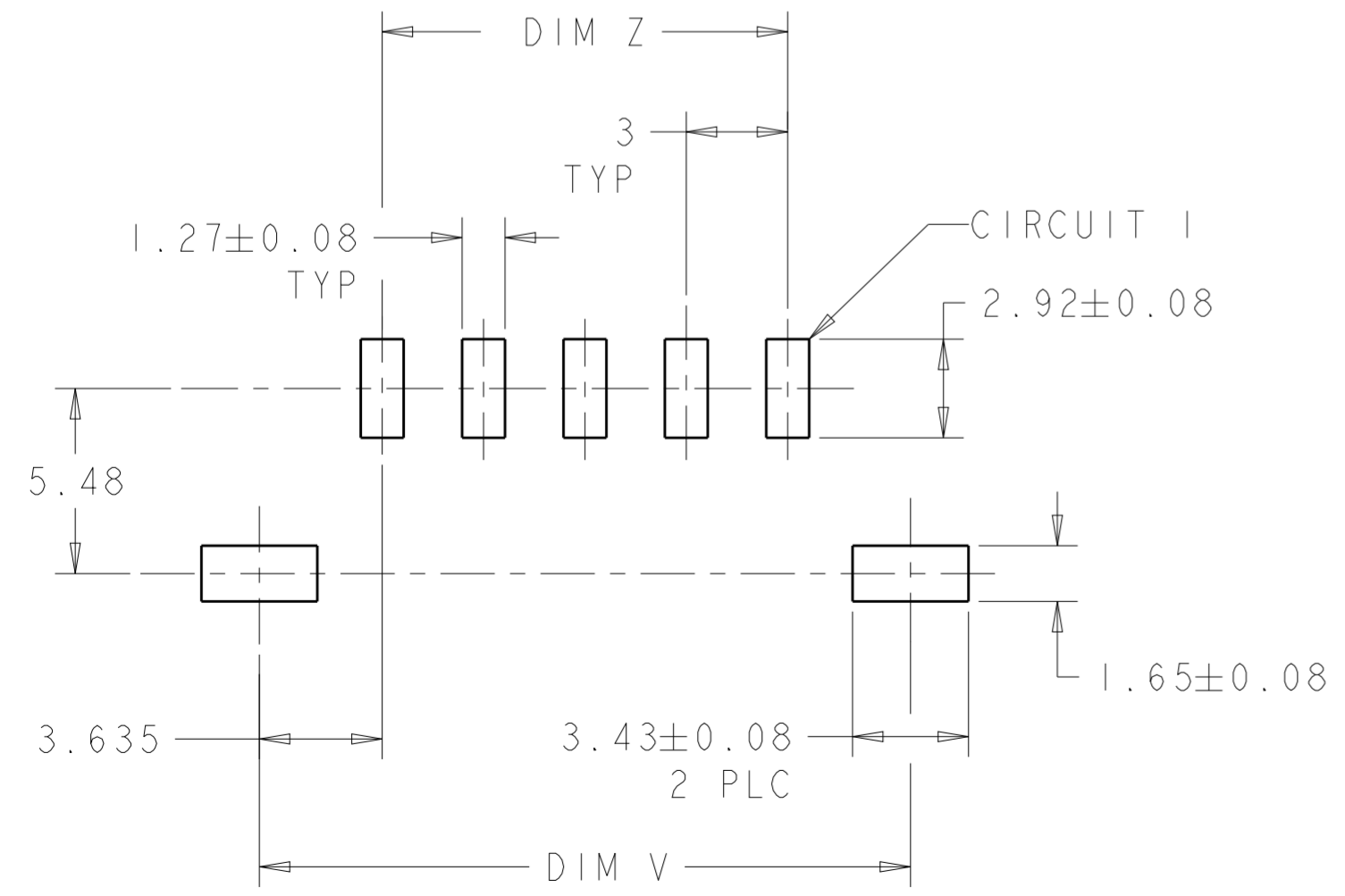
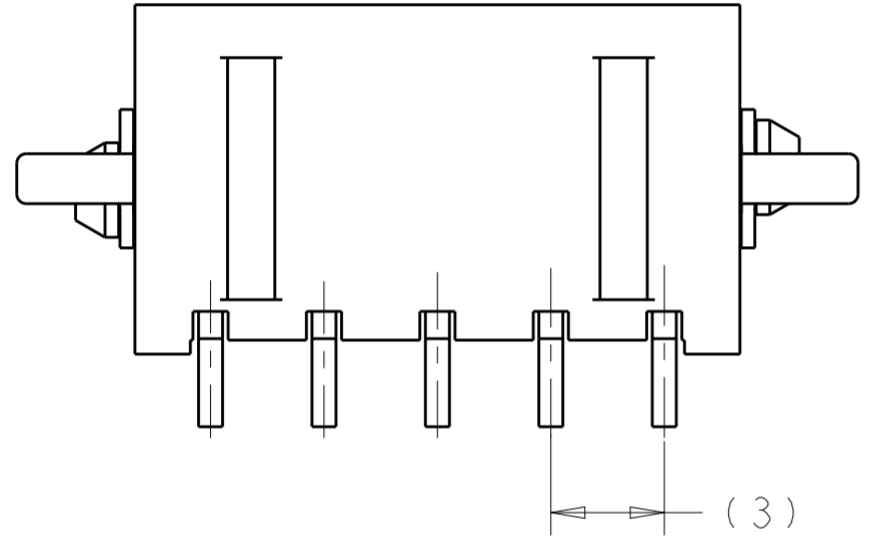


THIS DRAWING IS UNPUBLISHED. RELEASED FOR PUBLICATION 20
 © COPYRIGHT 20 ALL RIGHTS RESERVED.

LOC	DIST	REVISIONS					
CM	00	P	LTR	DESCRIPTION	DATE	DWN	APVD
		B		REVISED PER ECO-11-010355	08JUN2011	HMR	JR
		BI		ECO-19-006934	10MAY2019	AP	WS



0.15
 INCLUDES CONTACT TAILS, HOUSING STANDOFFS, AND BOARDLOCKS



PCB LAYOUT COMPONENT SIDE 3

- 1 MATERIAL: CONTACTS - BRASS
 HOUSING - UL 94V-0 RATED HIGH TEMP NYLON, COLOR NATURAL.
 HOLDDOWNS - PHOSPHOR BRONZE.
- 2 PLATING: CONTACTS - 2.54µm MIN TIN OVER 1.27µm MIN NICKEL.
 HOLDDOWNS - 2.54µm MIN TIN OVER 1.27µm MIN NICKEL.
- 3 RECOMMENDED PC BOARD THICKNESS OF 1.57

2	12	19.41	19	5	2029076-5
2	9	16.41	16	4	2029076-4
2	6	13.41	13	3	2029076-3
2	3	10.41	10	2	2029076-2
FINISH	DIM Z	DIM V	DIM W	NO. OF POSN	PART NUMBER

THIS DRAWING IS A CONTROLLED DOCUMENT.

DIMENSIONS: mm	TOLERANCES UNLESS OTHERWISE SPECIFIED:	DWN K. WHITAKER 11MAR2008	TE Connectivity
		CHK C. JONES 11MAR2008	
		APVD C. JONES 11MAR2008	
		NAME RT ANGLE SURFACE MOUNT HEADER ASSY, TIN CONTACTS W/SURF MOUNT HOLDDOWNS, SINGLE ROW, MICRO MATE-N-LOK(TM)	
		PRODUCT SPEC 108-1836	SIZE CAGE CODE DRAWING NO RESTRICTED TO
		APPLICATION SPEC 114-13000	A200779 C-2029076
MATERIAL 1 SEE TABLE		WEIGHT -	SCALE 5:1 SHEET 1 OF 1 REV BI
		CUSTOMER DRAWING	