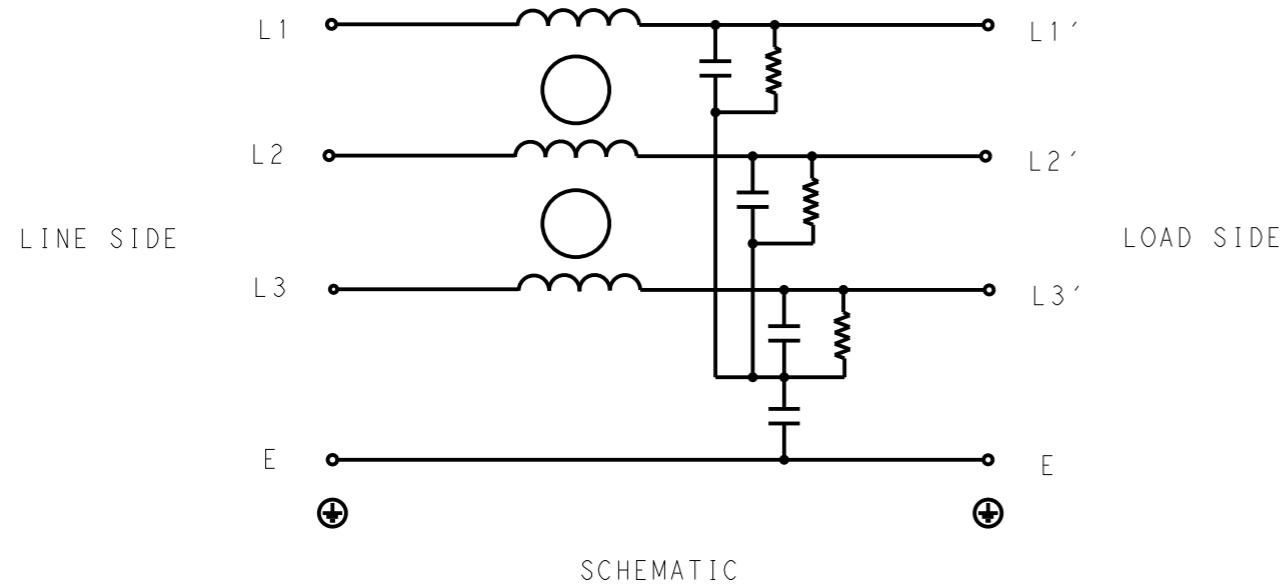
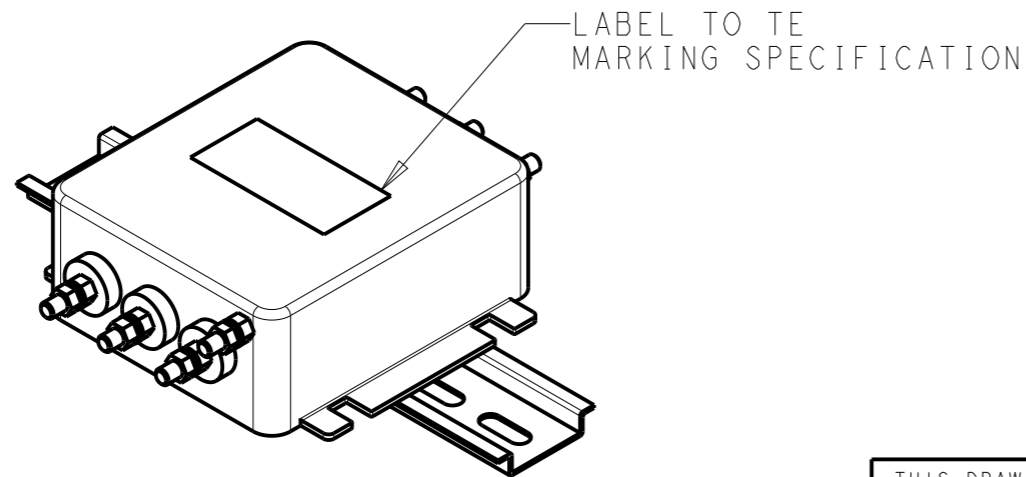


P	LTR	DESCRIPTION	DATE	DWN	APVD
	A	INITIAL RELEASE	05APR2021	SR	CB



TYPICAL INSERTION LOSS
COMMON MODE 50/50Ω; DIFFERENTIAL MODE 50/50Ω

MHz	0.01	0.05	0.15	0.5	1	3	5	10	30
CM	2	2	5	15	22	36	53	39	28
DM	3	6	6	14	20	44	32	25	23



SAFETY ORGANIZATIONS

THIS FILTER WILL BE FORMALLY RECOGNIZED, CERTIFIED OR APPROVED BY THE LISTED AGENCY. THEREFORE, ALL TEST/REQUIREMENTS SPECIFIED IN THE LATEST REVISION OF THE FOLLOWING AGENCY STANDARDS WILL BE MET:

UL APPROVED 20A 440V 50Hz/60Hz 40°C
CSA RECOGNISED 20A 440V 50Hz/60Hz 40°C

OPERATING SPECIFICATION

LINE CURRENT/VOLTAGE: 20A, 440VAC
LINE FREQUENCY: 50/60Hz

MAXIMUM LEAKAGE CURRENT: 3mA @ 230VAC, 50Hz

OPERATING AMBIENT TEMPERATURE RANGE @ RATED CURRENT: -25°C TO +40°C

IN AN AMBIENT, T_a, HIGHER THAN 40°C, THE MAXIMUM OPERATING CURRENT, I_o, IS AS FOLLOWS:

$$I_o = I_r \sqrt{\frac{85 - T_a}{45}}$$

RELIABILITY SPECIFICATIONS

STORAGE TEMPERATURE: -40°C TO +85°C
HUMIDITY: 21 DAYS @ 40°C AND 95% RH

TEST SPECIFICATIONS

INDUCTANCE, NOMINAL: 0.35mH

CAPACITANCE @ 1kHz

LINE TO GROUND, NOMINAL: 18nF
LINE TO LINE, NOMINAL: 50nF

DISCHARGE RESISTOR

L/G I.R. 680KΩ 1W
L/L I.R. 2MΩ 1W
L/N I.R. XXX
N/G I.R. XXX

IR (NO DISCHARGE RESISTOR) 20°C, 50% RH AND 100VDC, MIN: 6MΩ

RECOMMENDED RECEIVING INSPECITON HIPOI

LINE TO GROUND FOR 1 MINUTE: 2632VDC
LINE TO LINE FOR 1 MINUTE: 1892VDC

FILTER APPROVAL

THE BEST WAY TO SELECT AND QUALIFY A FILTER IS FOR YOUR ENGINEERING TO TEST THE UNIT IN YOUR EQUIPMENT.

THIS DRAWING IS A CONTROLLED DOCUMENT.		DWN SUPREETH R 05APR2021												
DIMENSIONS: mm		CHK CHRIS BOLLE 05APR2021												
TOLERANCES UNLESS OTHERWISE SPECIFIED:		APVD CHRIS BOLLE 05APR2021												
<table border="1"> <tr><td>0 PLC</td><td>±-</td></tr> <tr><td>1 PLC</td><td>±0.5</td></tr> <tr><td>2 PLC</td><td>±0.40</td></tr> <tr><td>3 PLC</td><td>±0.130</td></tr> <tr><td>4 PLC</td><td>±0.0500</td></tr> <tr><td>ANGLES</td><td>±-</td></tr> </table>		0 PLC			±-	1 PLC	±0.5	2 PLC	±0.40	3 PLC	±0.130	4 PLC	±0.0500	ANGLES
0 PLC	±-													
1 PLC	±0.5													
2 PLC	±0.40													
3 PLC	±0.130													
4 PLC	±0.0500													
ANGLES	±-													
MATERIAL -		FINISH -	NAME POWER LINE FILTER FOR DIN 35 RAIL INSTALLATION 20KEBS6AFPDDM											
-		WEIGHT -	SIZE A3	CAGE CODE 00779										
-		CUSTOMER DRAWING	DRAWING NO. C-3-1609965-5	RESTRICTED TO -										
		SCALE 1:2	SHEET 1 OF 2	REV A										

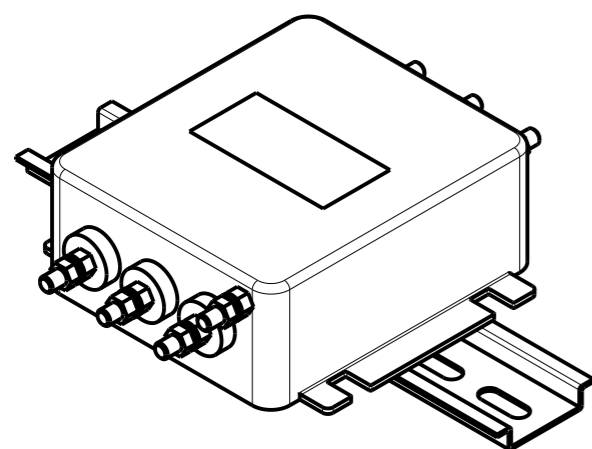
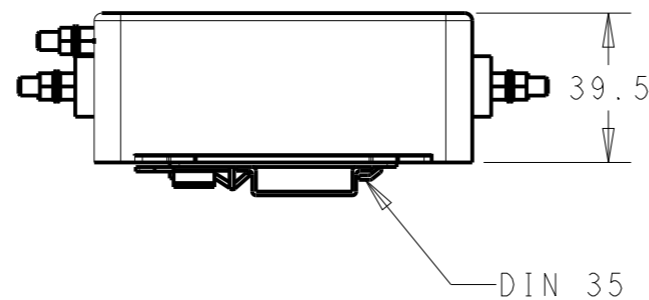
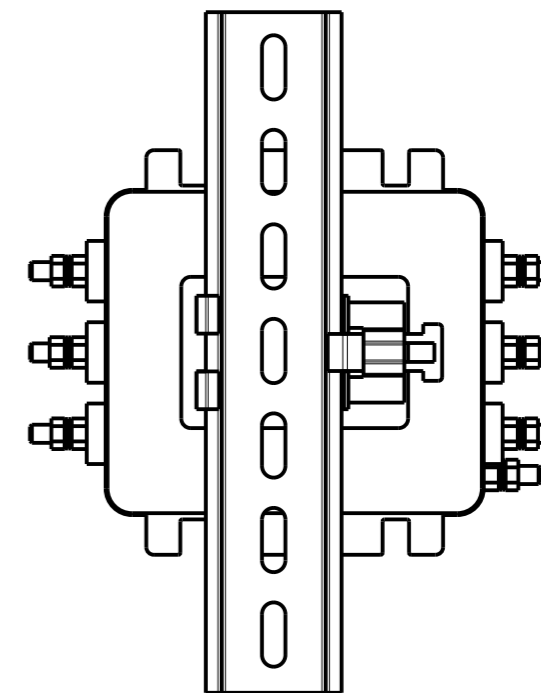
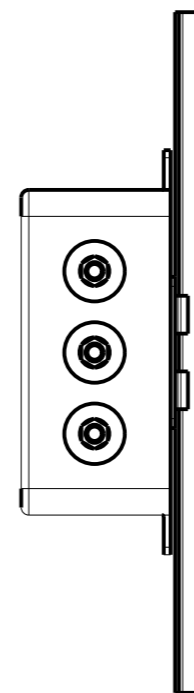
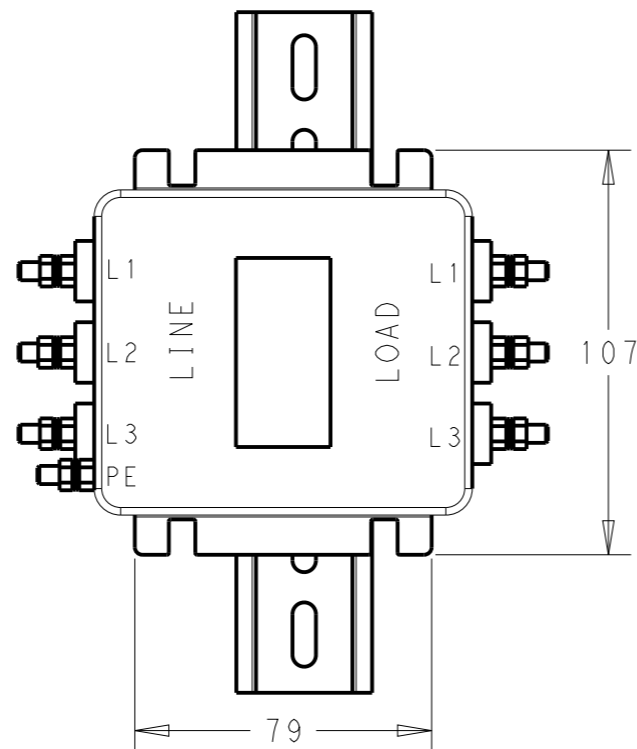
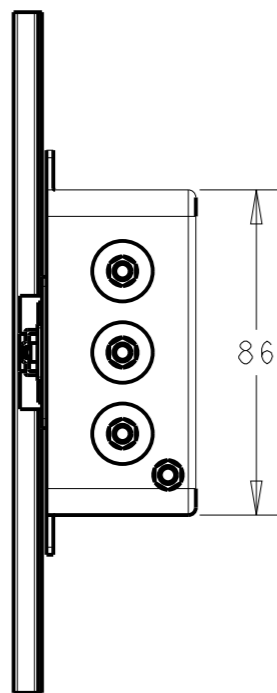
NOTE 1 GROUND CONNECTION:
DO NOT LOOSEN INNER GROUND NUTS.
TORQUE OUTER TERMINAL /GROUND NUTS: 2Nm

NOTE 2 INPUT OUTPUT CONNECTION TERMINAL
AWG SIZE: XXX
THREADED BOLT SIZE FOR TERMINAL: M5
THREADED BOLT SIZE FOR GROUND: M5

NOTE 3 SUPPLIED WITH DIN RAIL BRACKET

NOTE 4 DRAWING SHOWS DIN RAIL FOR
REFERENCE ONLY.

P	LTR	DESCRIPTION	DATE	DWN	APVD
		SEE SHEET 1			



THIS DRAWING IS A CONTROLLED DOCUMENT.		DWN SUPREETH R 05APR2021														
DIMENSIONS: mm		CHK CHRIS BOLLE 05APR2021														
TOLERANCES UNLESS OTHERWISE SPECIFIED:		APVD CHRIS BOLLE 05APR2021	NAME POWER LINE FILTER FOR DIN 35 RAIL INSTALLATION 20KEBS6AFPDDM													
<table border="1"> <tr> <td>0 PLC</td> <td>±0.5</td> </tr> <tr> <td>1 PLC</td> <td>±0.40</td> </tr> <tr> <td>2 PLC</td> <td>±0.130</td> </tr> <tr> <td>3 PLC</td> <td>±0.0500</td> </tr> <tr> <td>4 PLC</td> <td>±</td> </tr> <tr> <td>ANGLES</td> <td>±</td> </tr> </table>		0 PLC	±0.5	1 PLC	±0.40	2 PLC	±0.130	3 PLC	±0.0500	4 PLC	±	ANGLES	±	PRODUCT SPEC -	RESTRICTED TO -	
0 PLC	±0.5															
1 PLC	±0.40															
2 PLC	±0.130															
3 PLC	±0.0500															
4 PLC	±															
ANGLES	±															
MATERIAL -		FINISH -	APPLICATION SPEC -	SIZE A3												
-		WEIGHT -	CAGE CODE 00779	DRAWING NO C-3-1609965-5												
CUSTOMER DRAWING			SCALE 1:2	SHEET 2 OF 2												
			REV A													