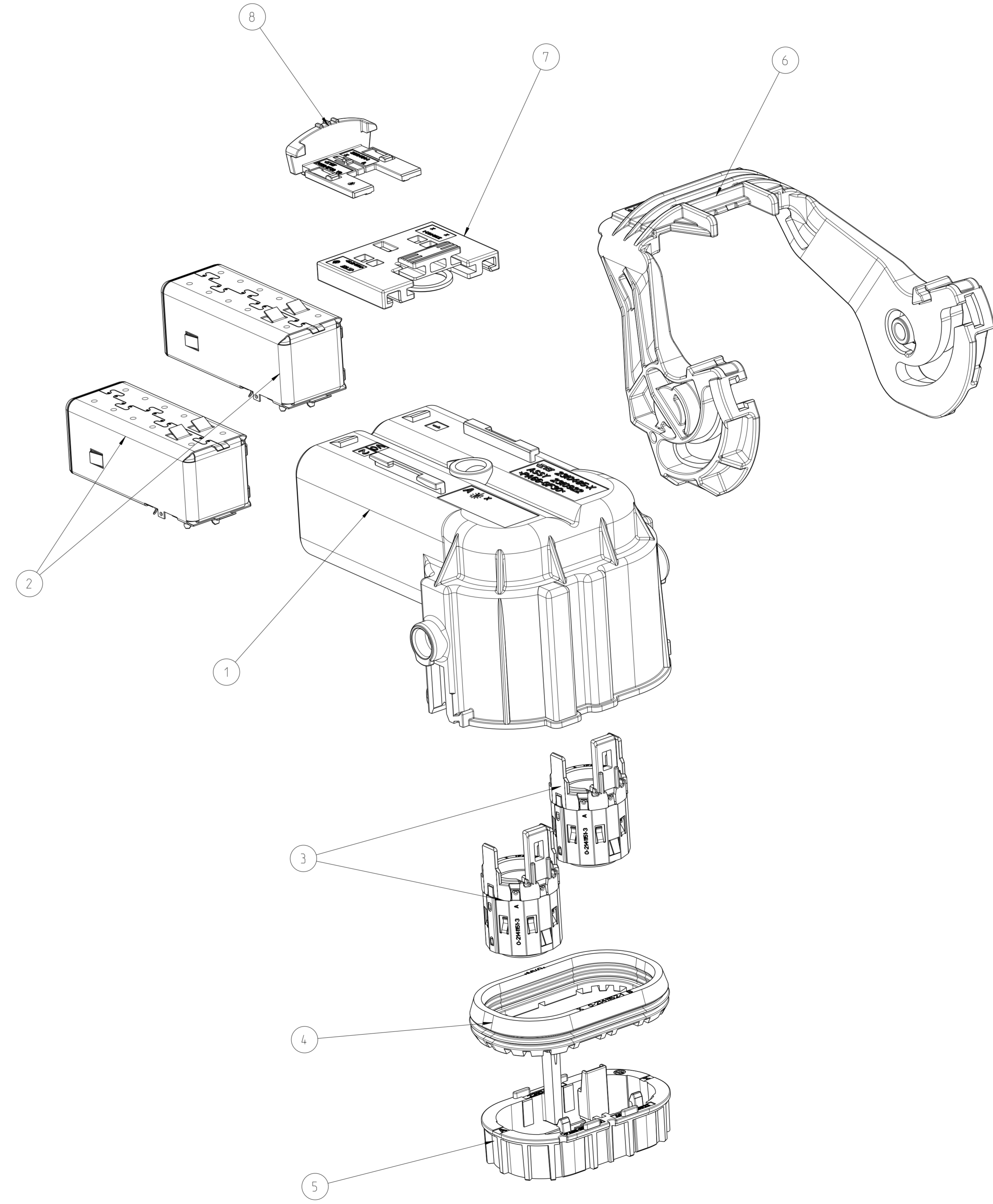
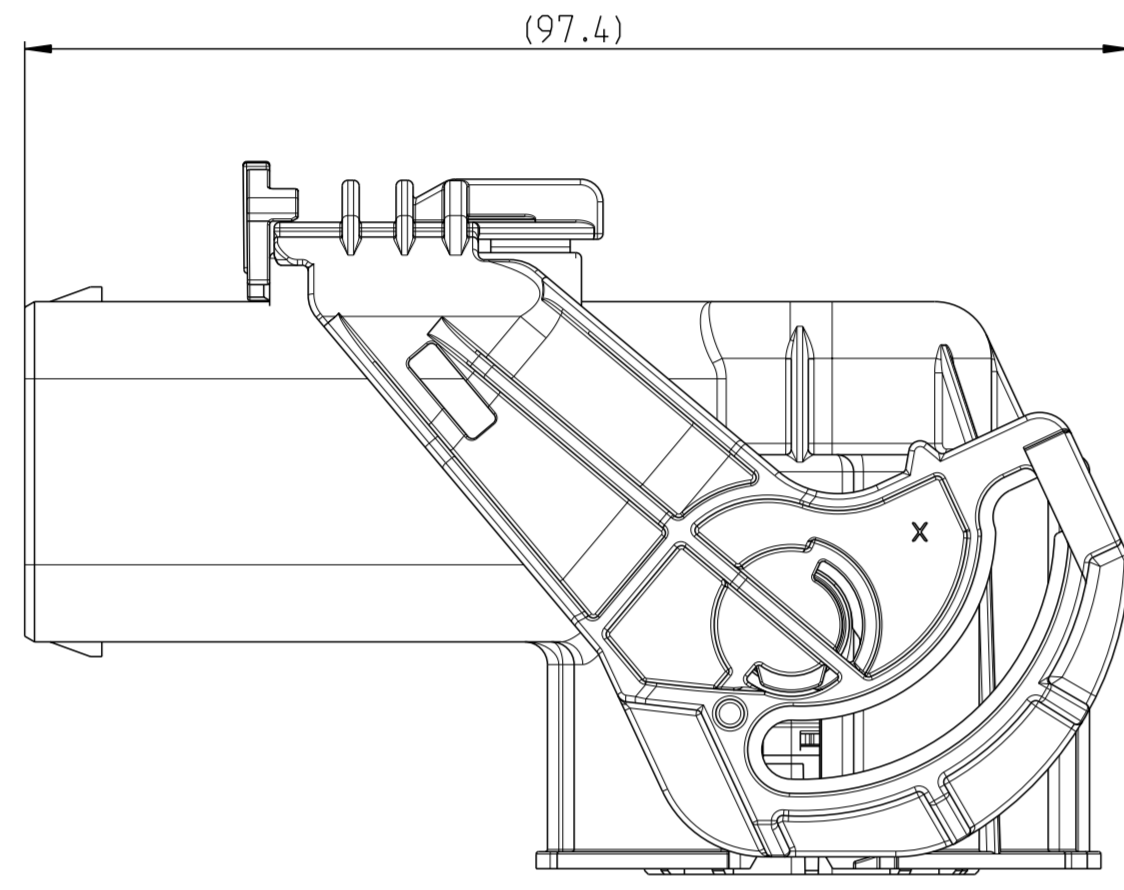


CODINGS

REVISIONS				
P	REV	DESCRIPTION	DATE	APP'D
B1	REVISED	ECO-19-000597	16 JAN 19	SX EJ
B2	REVISED	ECR-19-006021	16 APR 19	ZZ EJ
B3	REVISED	ECR-2021-01-098101-E	12 JAN 21	FS EJ
B4	ECN	22-155256	19 MAY 22	LY EJ



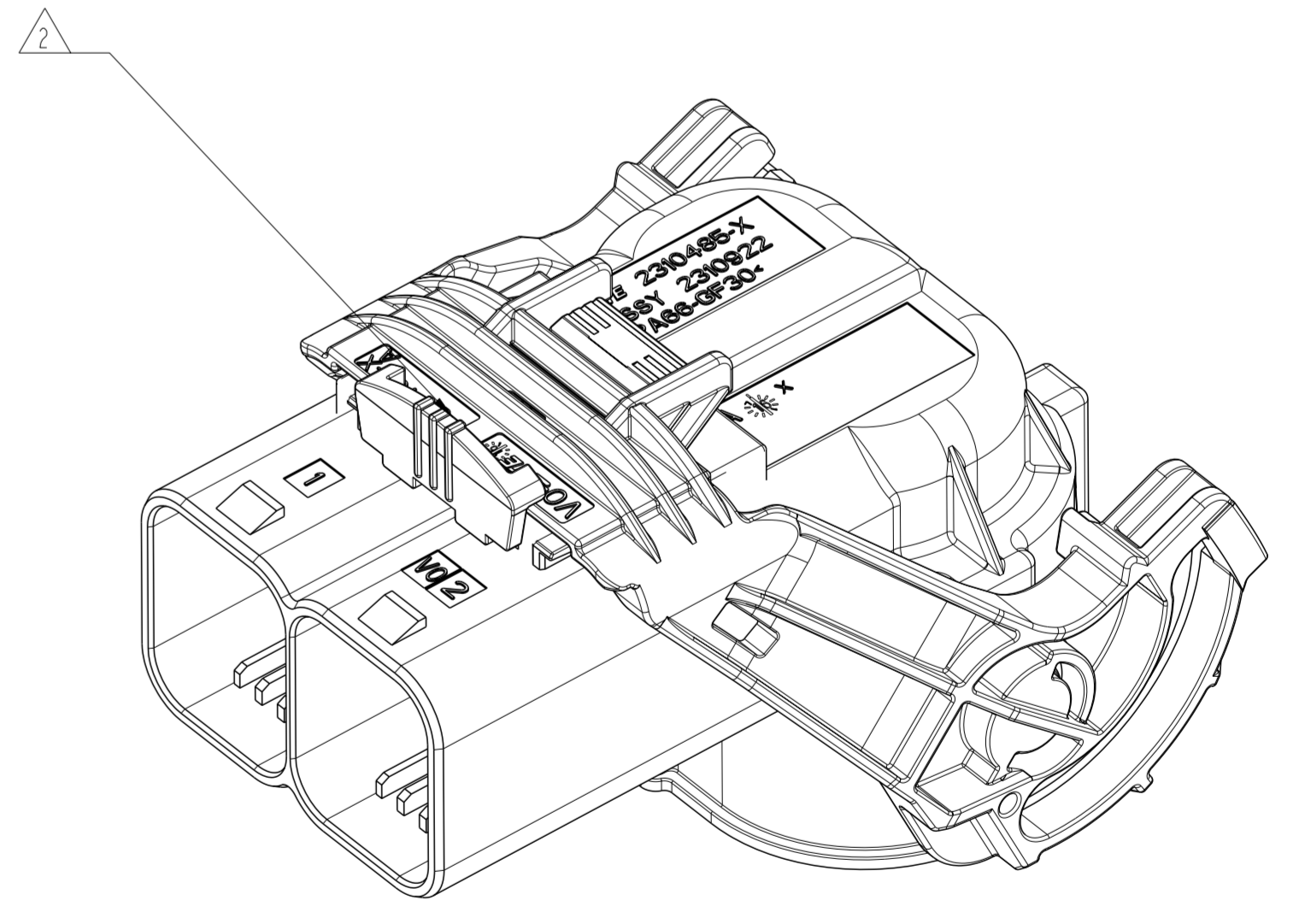
NOTES

SHIELDING INFORMATION AND FIRE RETARDANT CLASS FOR PLASTIC PART SEE TABLE BELOW

P/N	SHIELDING INFORMATION	FIRE RETARDANT CLASS OF PLASTIC MATERIAL	REFERENCE DRAWING/P/N FOR MISSING DIMENSION
2310922-1	COPPER ALLOY 40 PLATING (Tmax 140°C)	V0	214.1154(1)-214.1154-1)
2310922-2			214.1154(1)-214.1154-2)
2310922-3			214.1154(1)-214.1154-3)
2310922-4			214.1154(1)-214.1154-4)
1/3-2310922-1	COPPER ALLOY PRE-TIN PLATING (Tmax 125°C)	HB	214.1154(1)-214.1154-1)
1/3-2310922-2			214.1154(1)-214.1154-2)
1/3-2310922-3			214.1154(1)-214.1154-3)
1/3-2310922-4			214.1154(1)-214.1154-4)
2-2310922-1			214.1154(1)-214.1154-1)
2-2310922-2			214.1154(1)-214.1154-2)
2-2310922-3			214.1154(1)-214.1154-3)
2-2310922-4			214.1154(1)-214.1154-4)

DELIVERY CONDITION: LEVER IN END-LOCKING POSITION, CPA CLOSED

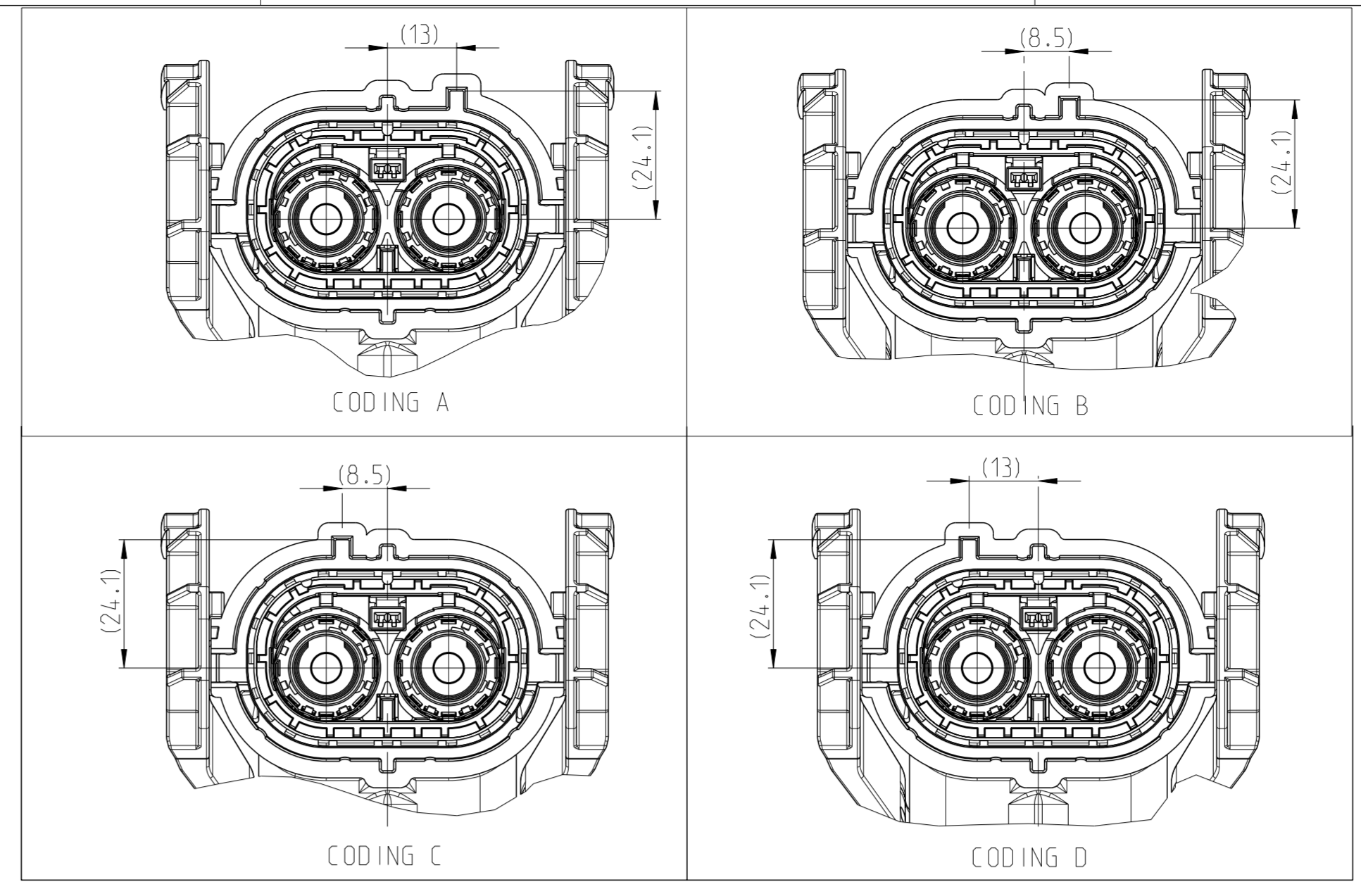
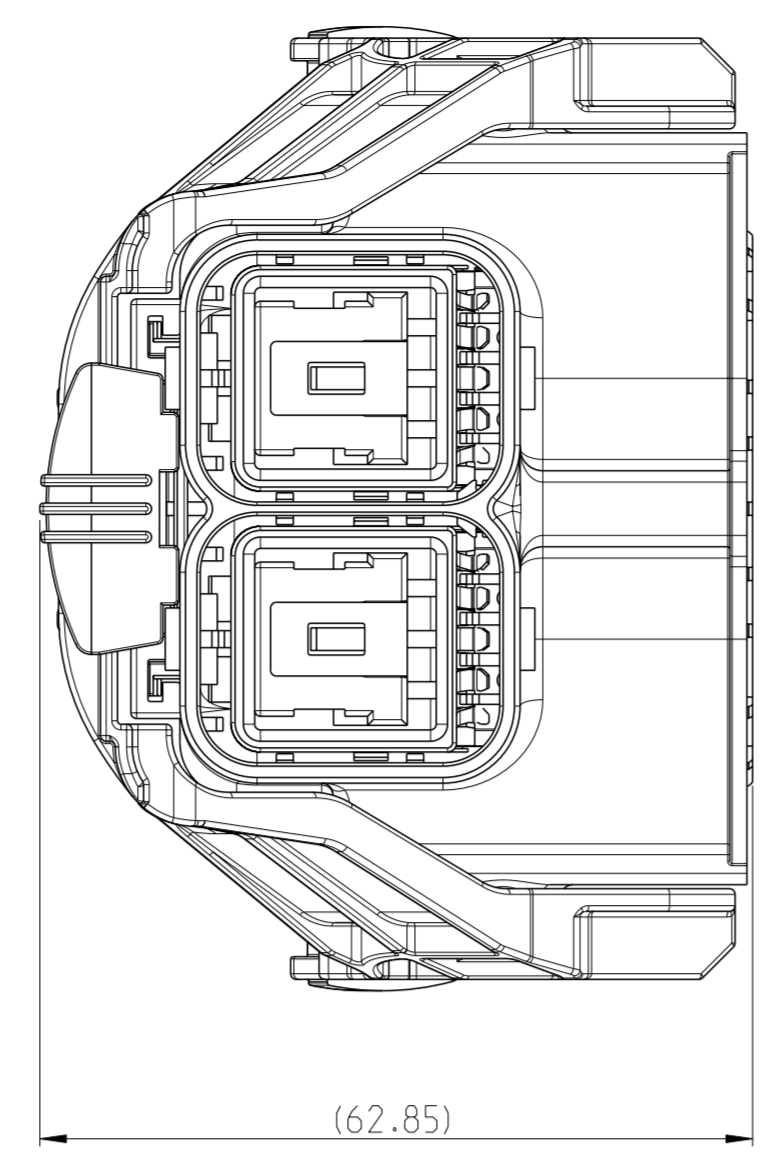
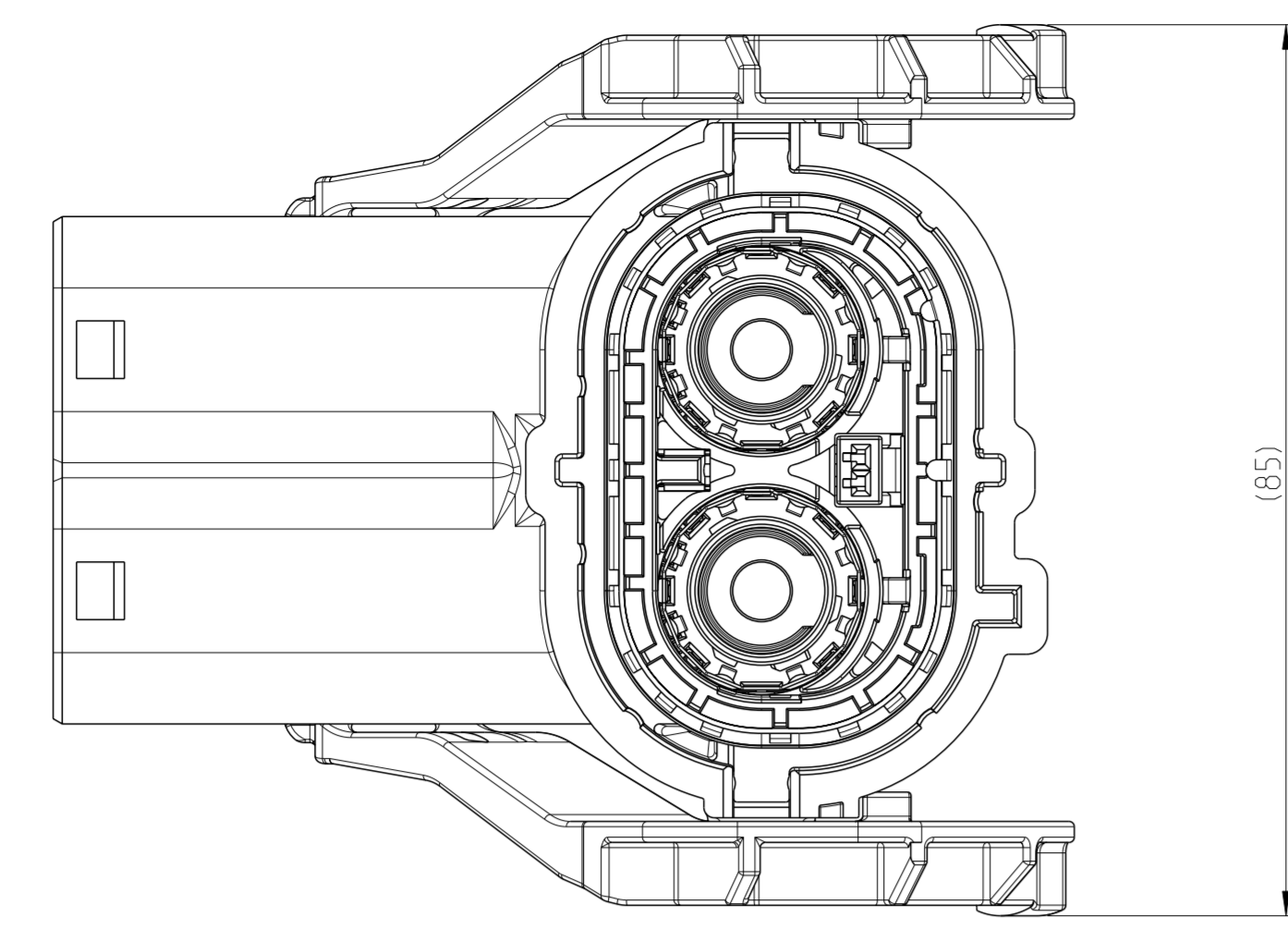
PACKAGED IN CORRUGATED SHIPPING BOX



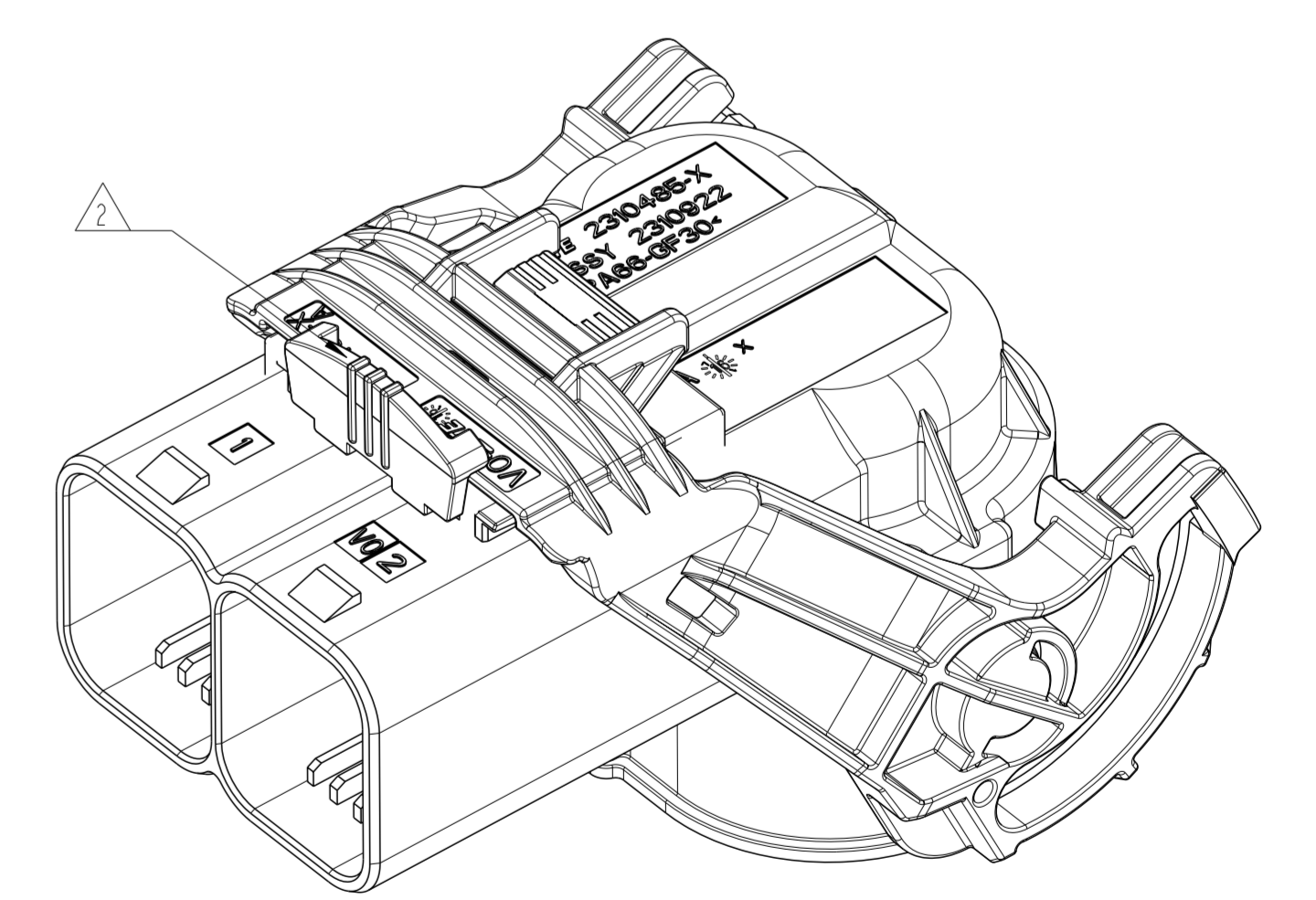
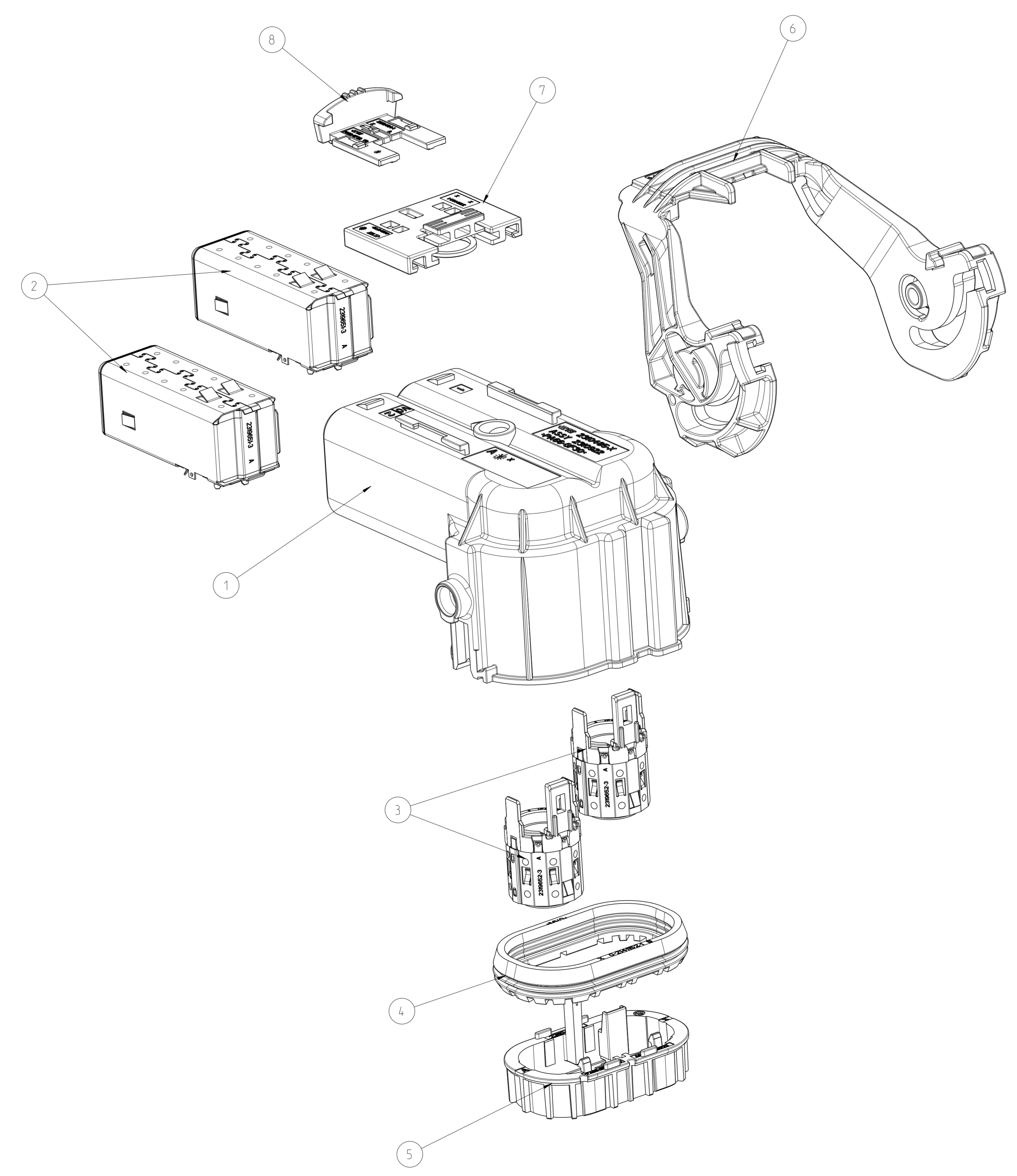
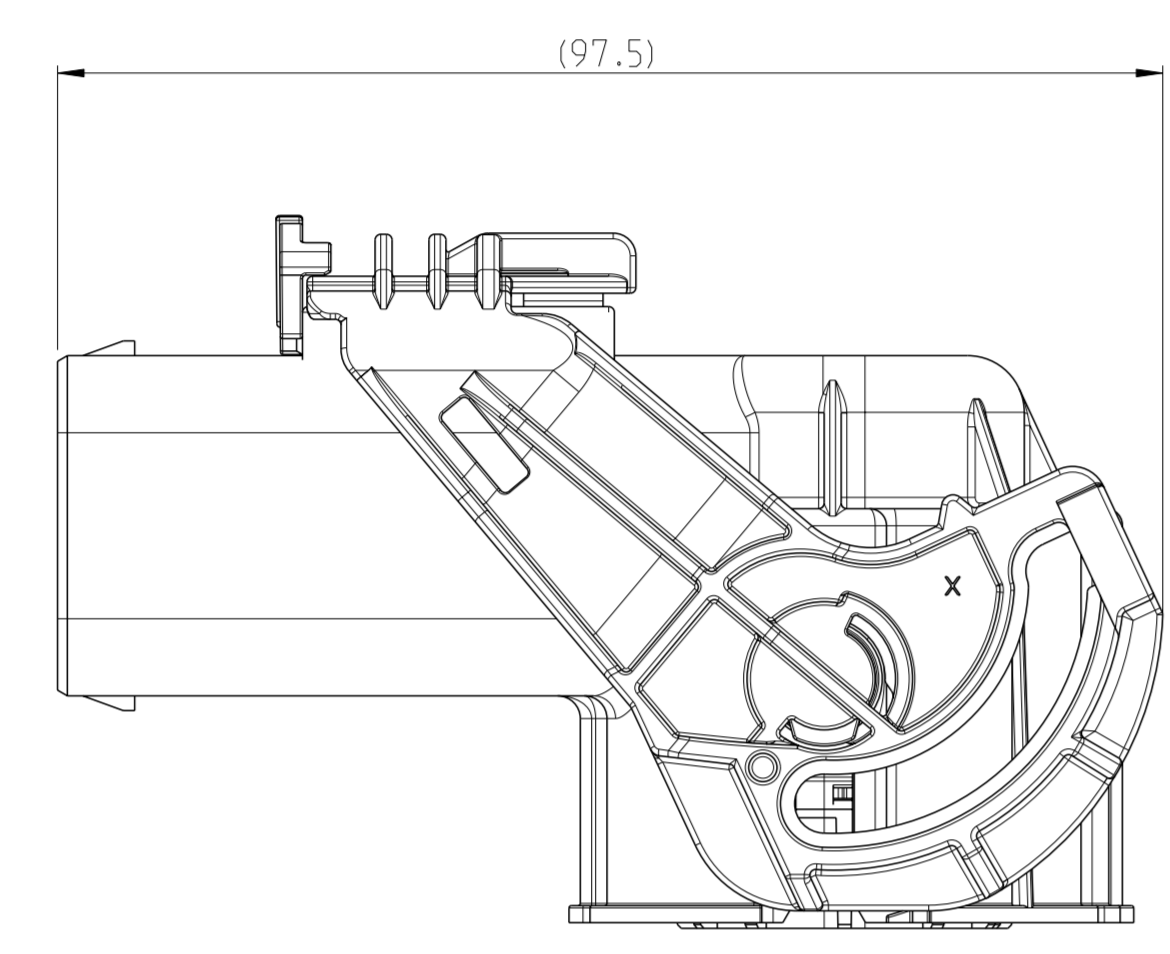
CD	TE ASSY-NO.	ASSY-REV	QTY	DESCRIPTION	MATERIAL	WEIGHT (g)	SURFACE COLOUR	TEM			
D	2310922-4	A	1	CPA	PA66-GF V0	RED SIM RAL 3000		8			
			1	ADAPTER	PA66-GF V0	DUSTY GRAY SIM RAL 7037		7			
			1	LEVER, 2POS, 90 DEG	PA66-GF V0	WHITE SIM RAL 9010 (9001)		6			
			1	2POS, MCON-1.2, REC HSG, 90 DEG, Assy	-	-	(14.1.6)	5			
			1	RADIAL SEAL	SILICONE RUBBER	WHITE SIM RAL 9010		4			
			2	ASSY: ISULATION INSERT - SHIELDING	△	-		3			
			2	ASSY: ISULATION INSERT - SHIELDING	△	-		2			
			1	2POS, 8MM HV, REC HSG, 90 DEG, SEALED	PA66-GF V0	ORANGE SIM RAL 2003		1			
			C	2310922-3	A	1	CPA	PA66-GF V0	RED SIM RAL 3000		8
						1	ADAPTER	PA66-GF V0	DUSTY GRAY SIM RAL 7037		7
1	LEVER, 2POS, 90 DEG	PA66-GF V0				BLACK SIM RAL 9005 (9011)		6			
1	2POS, MCON-1.2, REC HSG, 90 DEG, Assy	-				-	(14.1.6)	5			
1	RADIAL SEAL	SILICONE RUBBER				WHITE SIM RAL 9010		4			
2	ASSY: ISULATION INSERT - SHIELDING	△				-		3			
2	ASSY: ISULATION INSERT - SHIELDING	△				-		2			
1	2POS, 8MM HV, REC HSG, 90 DEG, SEALED	PA66-GF V0				ORANGE SIM RAL 2003		1			
B	2310922-2	A				1	CPA	PA66-GF V0	RED SIM RAL 3000		8
						1	ADAPTER	PA66-GF V0	DUSTY GRAY SIM RAL 7037		7
			1	LEVER, 2POS, 90 DEG	PA66-GF V0	WHITE SIM RAL 9010 (9001)		6			
			1	2POS, MCON-1.2, REC HSG, 90 DEG, Assy	-	-	(14.1.6)	5			
			1	RADIAL SEAL	SILICONE RUBBER	WHITE SIM RAL 9010		4			
			2	ASSY: ISULATION INSERT - SHIELDING	△	-		3			
			2	ASSY: ISULATION INSERT - SHIELDING	△	-		2			
			1	2POS, 8MM HV, REC HSG, 90 DEG, SEALED	PA66-GF V0	ORANGE SIM RAL 2003		1			
			A	2310922-1	A	1	CPA	PA66-GF V0	RED SIM RAL 3000		8
						1	ADAPTER	PA66-GF V0	DUSTY GRAY SIM RAL 7037		7
1	LEVER, 2POS, 90 DEG	PA66-GF V0				BLACK SIM RAL 9005 (9011)		6			
1	2POS, MCON-1.2, REC HSG, 90 DEG, Assy	-				-	(14.1.6)	5			
1	RADIAL SEAL	SILICONE RUBBER				WHITE SIM RAL 9010		4			
2	ASSY: ISULATION INSERT - SHIELDING	△				-		3			
2	ASSY: ISULATION INSERT - SHIELDING	△				-		2			
1	2POS, 8MM HV, REC HSG, 90 DEG, SEALED	PA66-GF V0				ORANGE SIM RAL 2003		1			

-1 AS SHOWN

THIS DRAWING IS A CONTROLLED DOCUMENT.		DATE: 12 JUL 2017	BY: J.L.L.
DIMENSIONS: (mm)		DATE: 24 JUL 2017	BY: S.Y.WANG
TOLERANCES UNLESS OTHERWISE SPECIFIED:		DATE: 02 AUG 2017	BY: J.Y.LIN
Ø: ±0.5	FINISH: SPEC 2	DATE: 108-32233	BY: REFER TO 108-32233
PL: ±0.1	ANGLE: 0.05	DATE: 114-32213	BY: REFER TO 114-32213
PC: ±0.05	ANGLE: 0.05	DATE: 00779	BY: 00779
PC: ±0.05	ANGLE: 0.05	DATE: 2310922	BY: 2310922



CODINGS

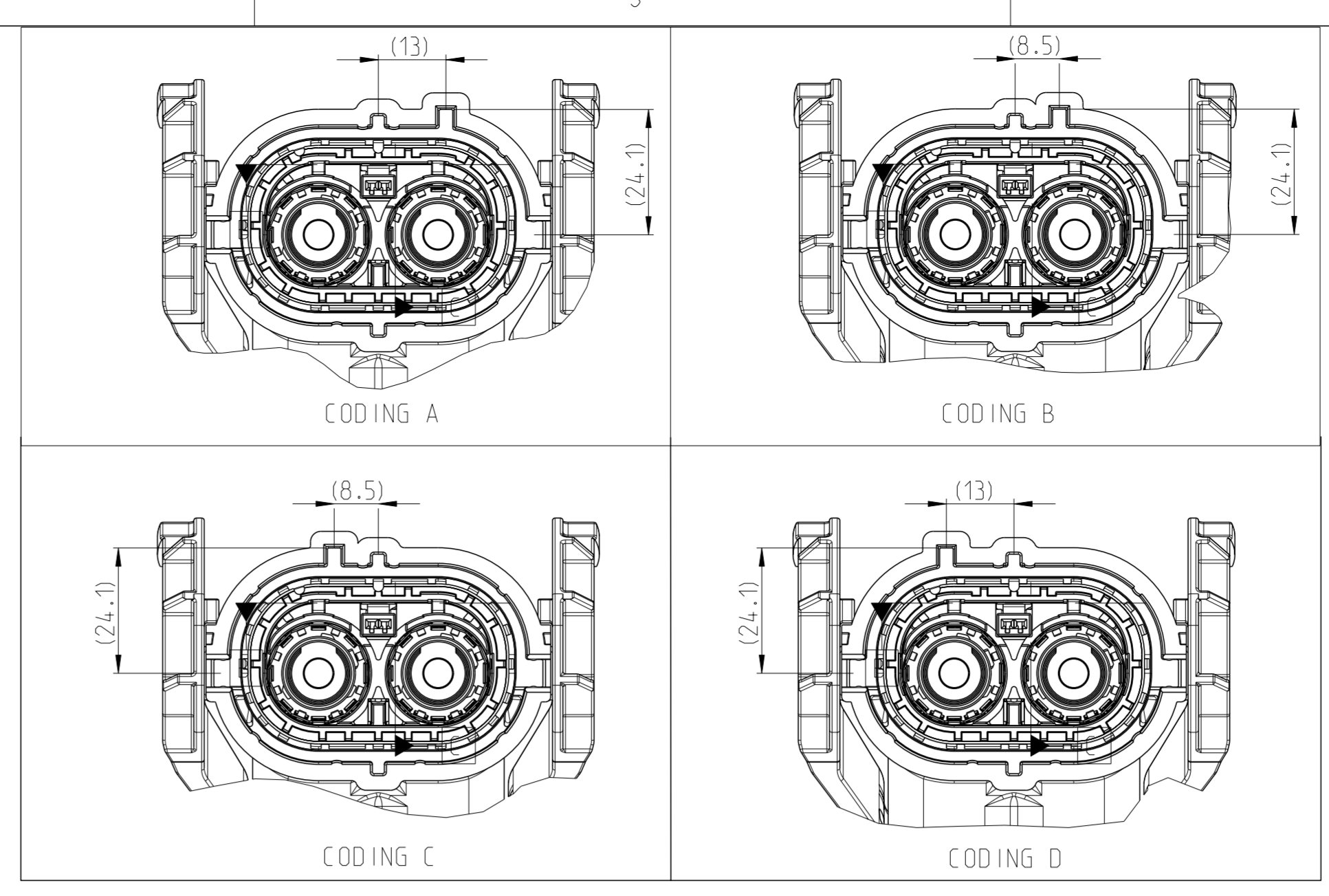
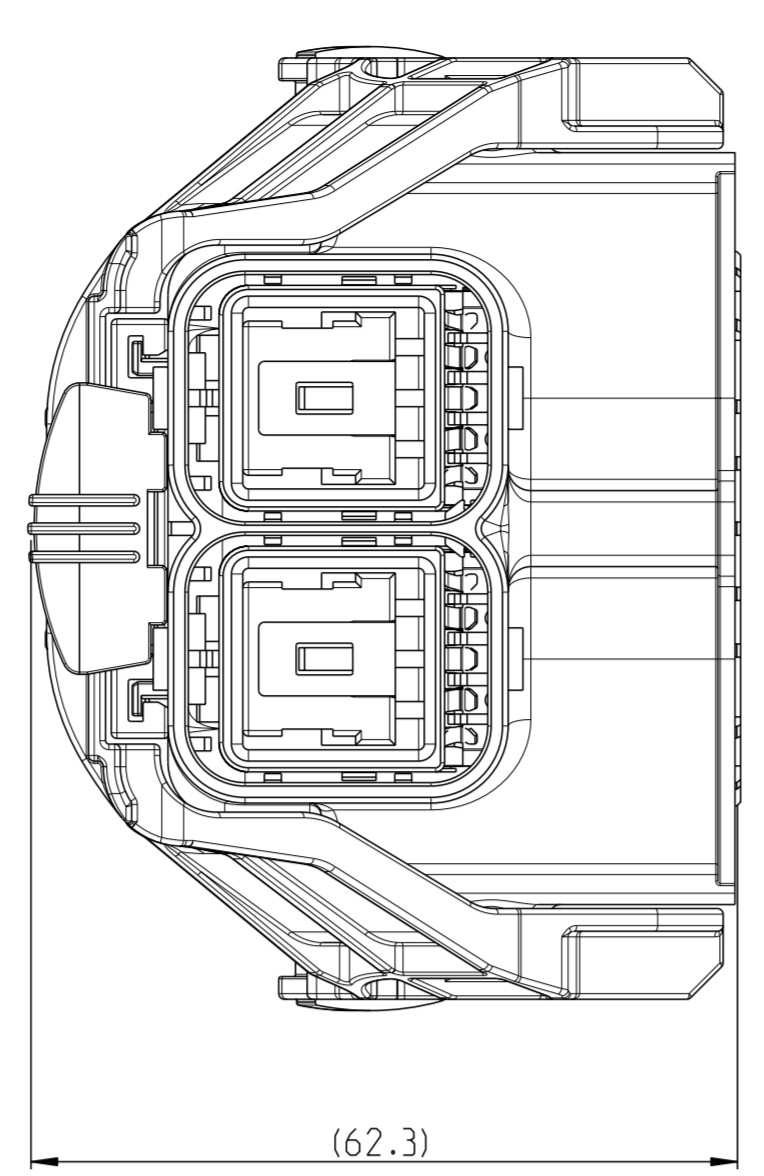
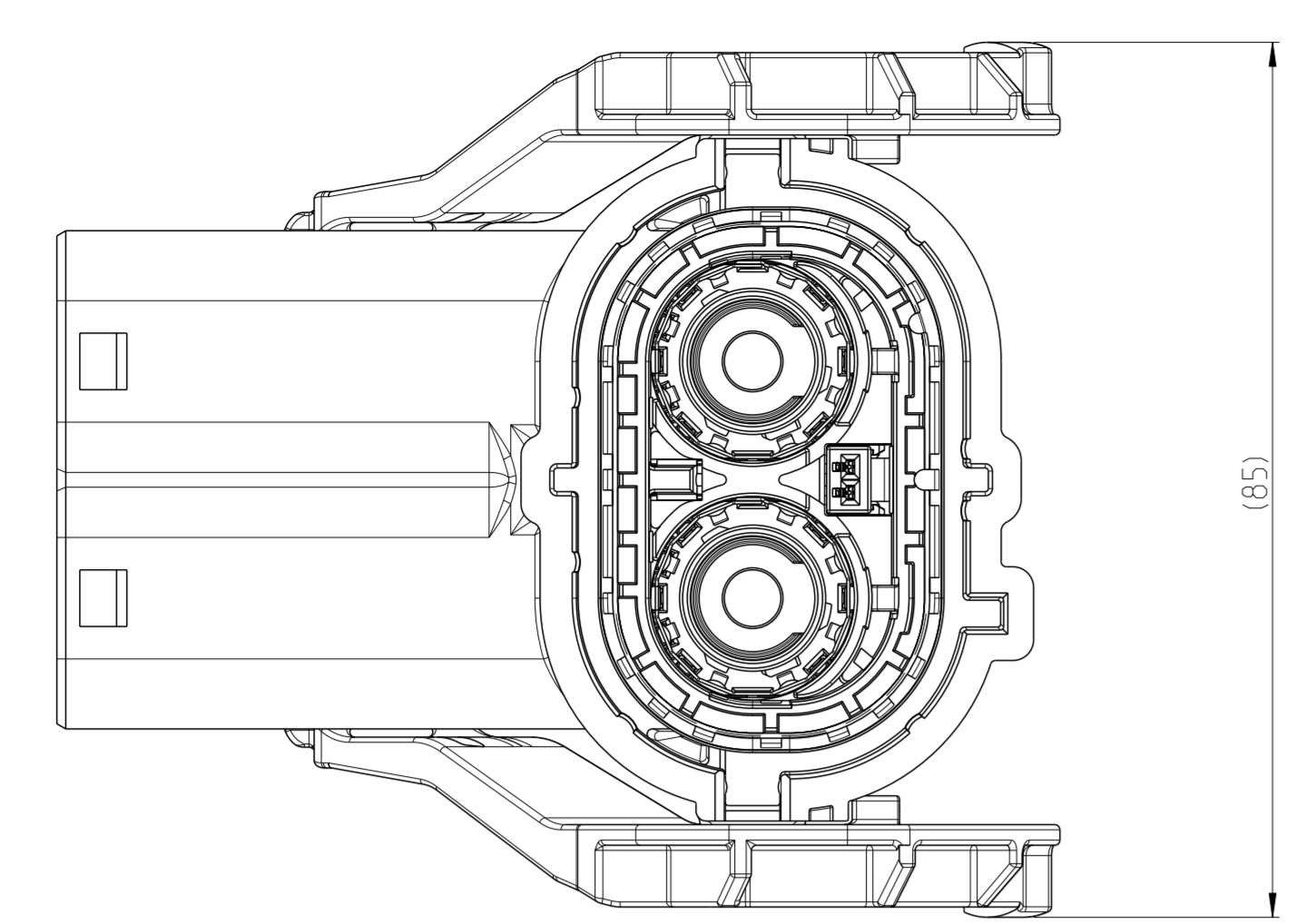


COD.	TE ASSY-NO.	ASSY-REV	QTY	DESCRIPTION	MATERIAL	WEIGHT (g)	SURFACE COLOUR	ITEM
D	1-2310922-4	A	1	CPA	PA66-GF V0	(14.1.6)	RED SIM RAL 3000	8
			1	ADAPTER	PA66-GF V0		DUSTY GRAY SIM RAL 7037	7
			1	LEVER, 2POS, 90 DEG	PA66-GF V0		WHITE SIM RAL 9010 (9001)	6
			1	2POS. MCON-1.2, REC HSG, 90 DEG, Assy	-		-	5
			1	RADIAL SEAL	SILICONE RUBBER		WHITE SIM RAL 9010	4
			2	ASSY. ISULATION INSERT - SHIELDING	△		-	3
			2	ASSY. ISULATION INSERT - SHIELDING	△		-	2
			1	2POS. 8MM HV, REC HSG, 90 DEG, SEALED	PA66-GF V0		ORANGE SIM RAL 2003	1
C	1-2310922-3	A	1	CPA	PA66-GF V0	(14.1.6)	RED SIM RAL 3000	8
			1	ADAPTER	PA66-GF V0		DUSTY GRAY SIM RAL 7037	7
			1	LEVER, 2POS, 90 DEG	PA66-GF V0		BLACK SIM RAL 9005 (9011)	6
			1	2POS. MCON-1.2, REC HSG, 90 DEG, Assy	-		-	5
			1	RADIAL SEAL	SILICONE RUBBER		WHITE SIM RAL 9010	4
			2	ASSY. ISULATION INSERT - SHIELDING	△		-	3
			2	ASSY. ISULATION INSERT - SHIELDING	△		-	2
			1	2POS. 8MM HV, REC HSG, 90 DEG, SEALED	PA66-GF V0		ORANGE SIM RAL 2003	1
B	1-2310922-2	B	1	CPA	PA66-GF V0	(14.1.6)	RED SIM RAL 3000	8
			1	ADAPTER	PA66-GF V0		DUSTY GRAY SIM RAL 7037	7
			1	LEVER, 2POS, 90 DEG	PA66-GF V0		WHITE SIM RAL 9010 (9001)	6
			1	2POS. MCON-1.2, REC HSG, 90 DEG, Assy	-		-	5
			1	RADIAL SEAL	SILICONE RUBBER		WHITE SIM RAL 9010	4
			2	ASSY. ISULATION INSERT - SHIELDING	△		-	3
			2	ASSY. ISULATION INSERT - SHIELDING	△		-	2
			1	2POS. 8MM HV, REC HSG, 90 DEG, SEALED	PA66-GF V0		ORANGE SIM RAL 2003	1
A	1-2310922-1	B	1	CPA	PA66-GF V0	(14.1.6)	RED SIM RAL 3000	8
			1	ADAPTER	PA66-GF V0		DUSTY GRAY SIM RAL 7037	7
			1	LEVER, 2POS, 90 DEG	PA66-GF V0		BLACK SIM RAL 9005 (9011)	6
			1	2POS. MCON-1.2, REC HSG, 90 DEG, Assy	-		-	5
			1	RADIAL SEAL	SILICONE RUBBER		WHITE SIM RAL 9010	4
			2	ASSY. ISULATION INSERT - SHIELDING	△		-	3
			2	ASSY. ISULATION INSERT - SHIELDING	△		-	2
			1	2POS. 8MM HV, REC HSG, 90 DEG, SEALED	PA66-GF V0		ORANGE SIM RAL 2003	1

REVISIONS			
REV	DATE	BY	APPD
1			

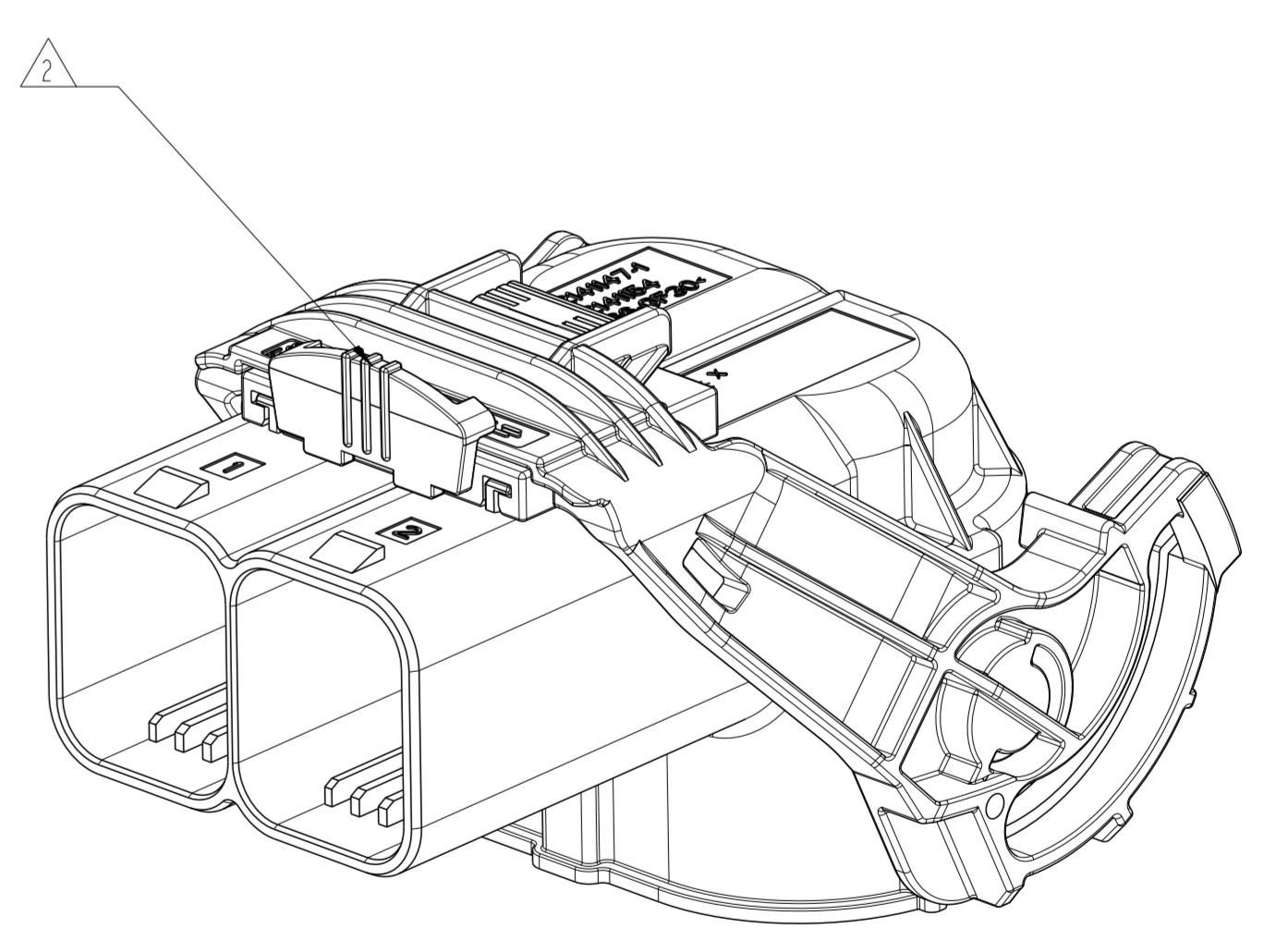
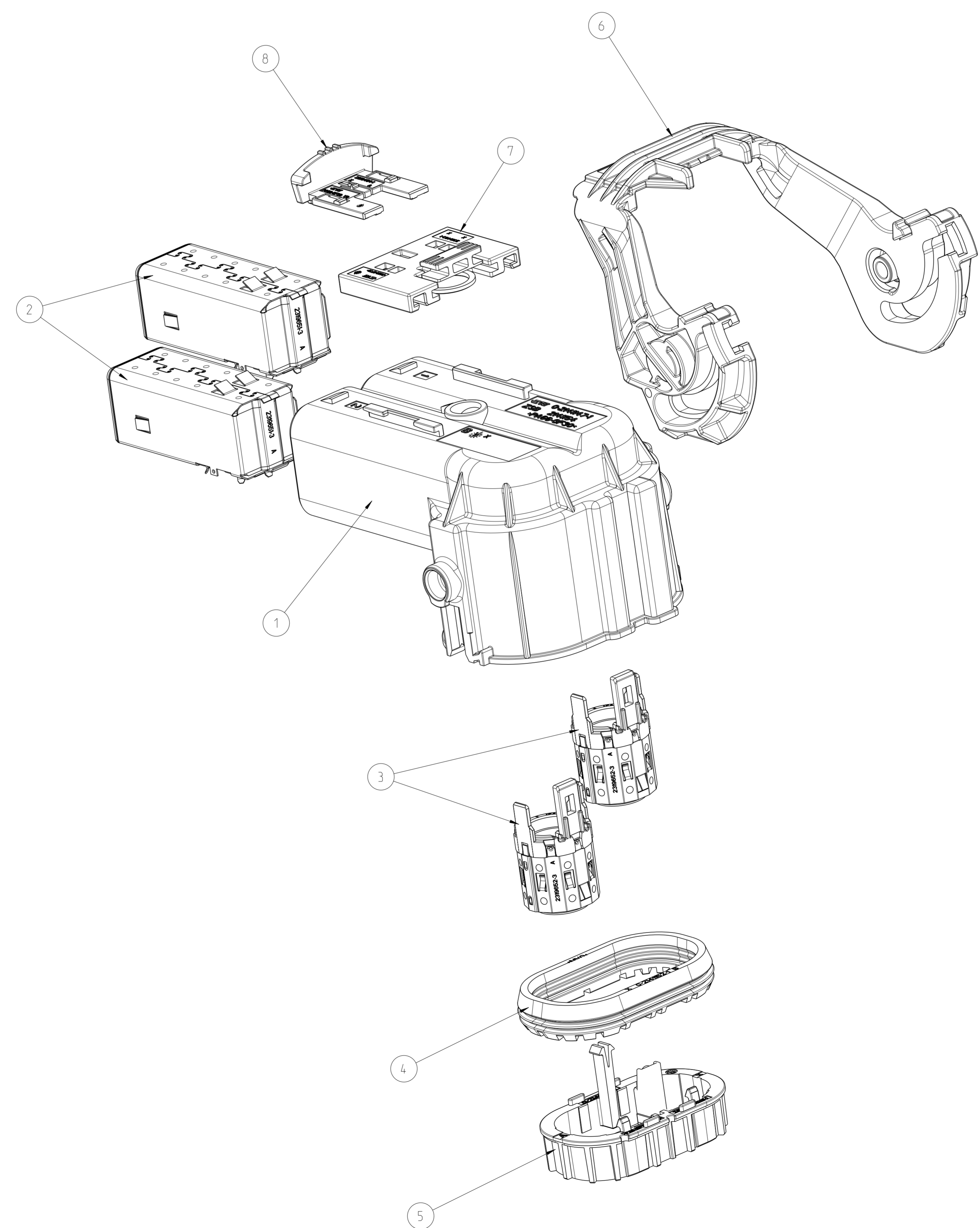
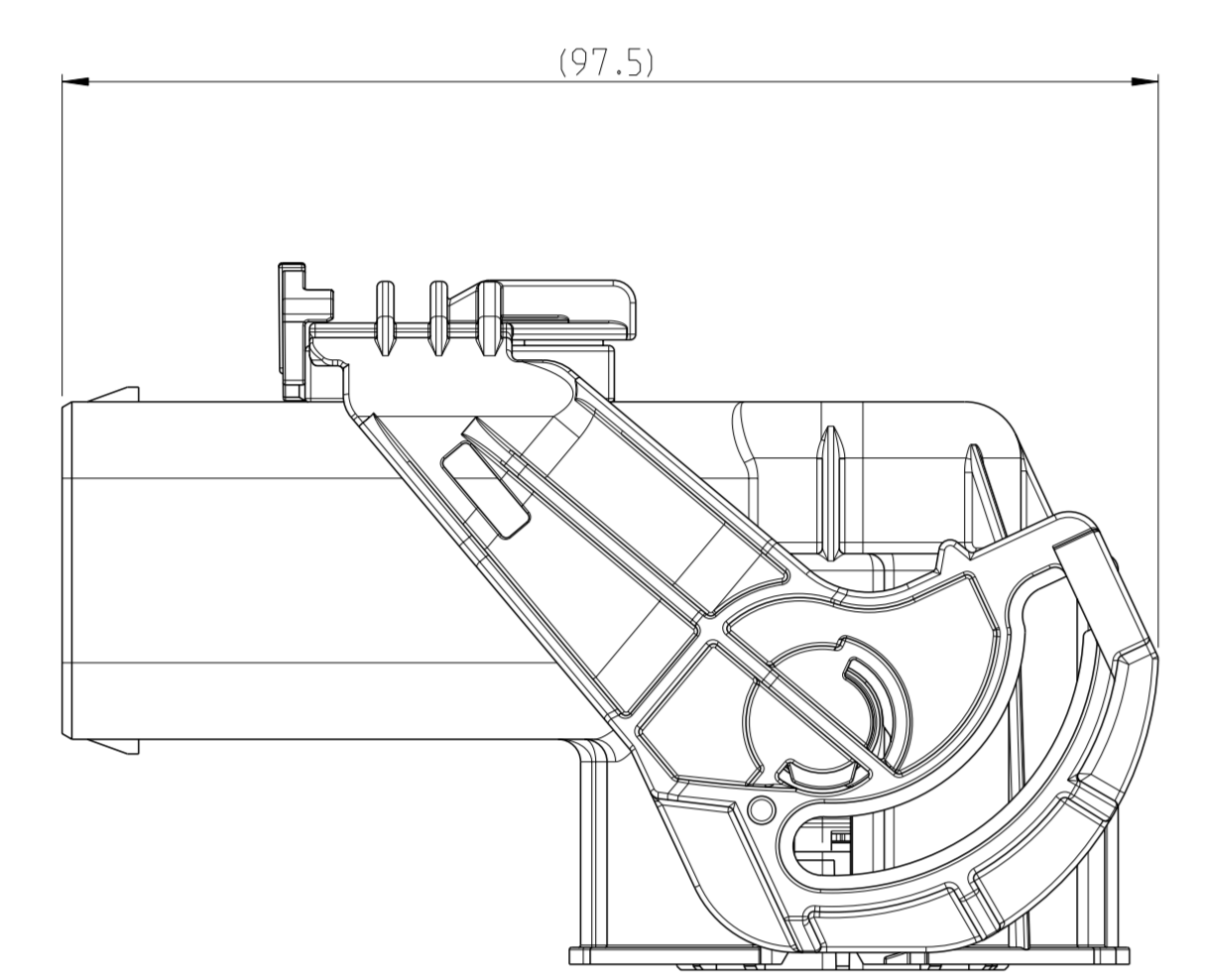
1--1 AS SHOWN

THIS DRAWING IS A CONTROLLED DOCUMENT. DATE: 12 JUL 2017. DRAWN BY: J.L.L. CHECKED BY: S.Y. WANG. APPROVED BY: J. WANG. DATE: 24 JUL 2017. DATE: 02 AUG 2017. NAME: 2POS, 8mm HV, REC HSG, 90 DEG, ASSY SEALED. REFERENCE: REFER TO 100-32233. REFER TO 114-32213. SIZE: A0. CASE CODE: 00779. DRAWING NO: 2310922. SCALE: 1:1. SHEET: 2 OF 4. RESTRICTED TO: CUSTOMER DRAWING.



CODINGS

REVISIONS			
REV	DATE	DESCRIPTION	BY
1		SEE SHEET 1	

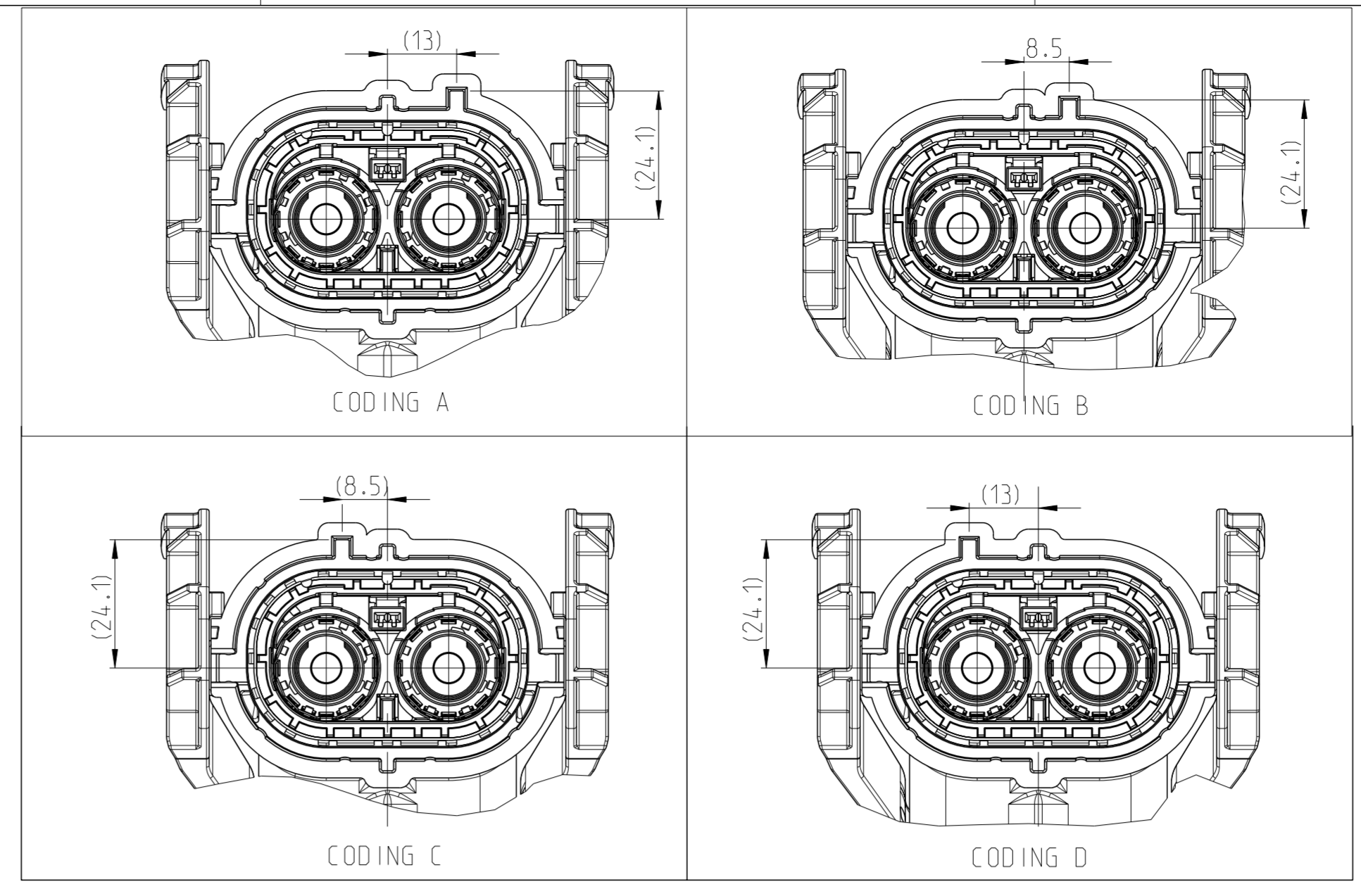
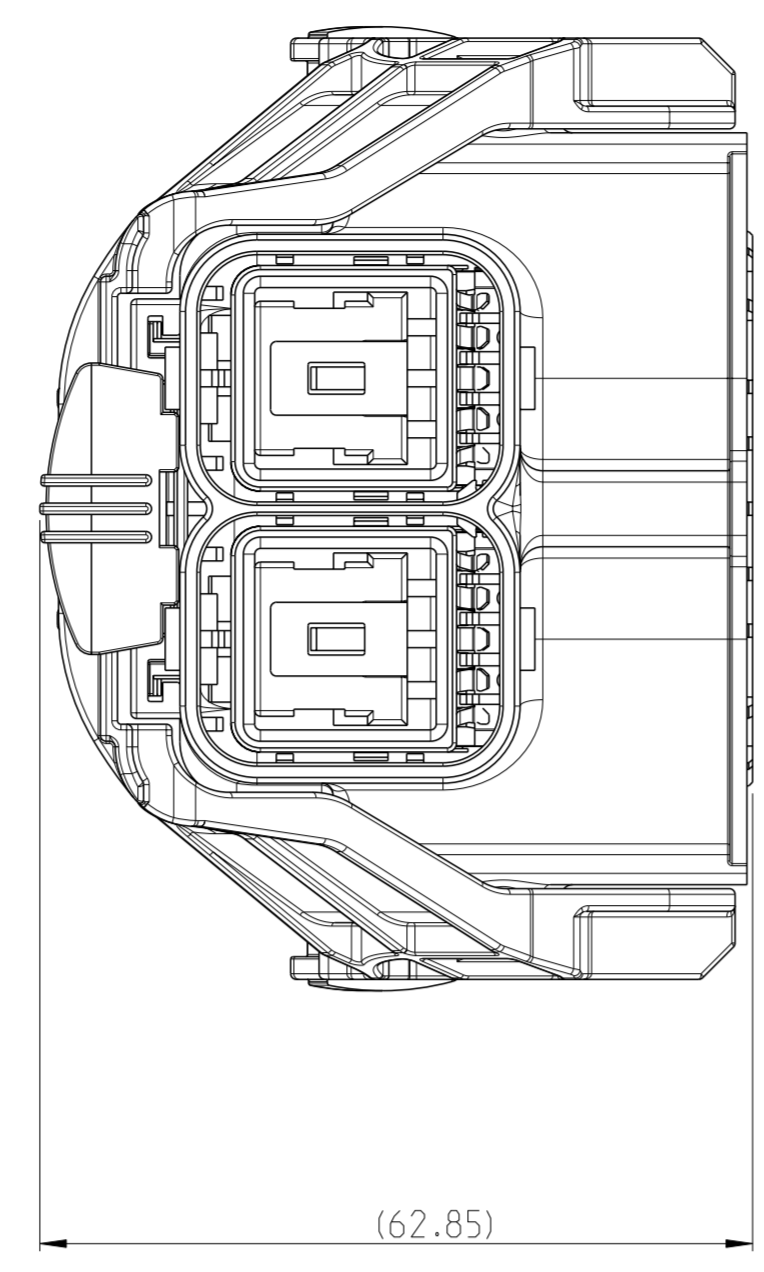
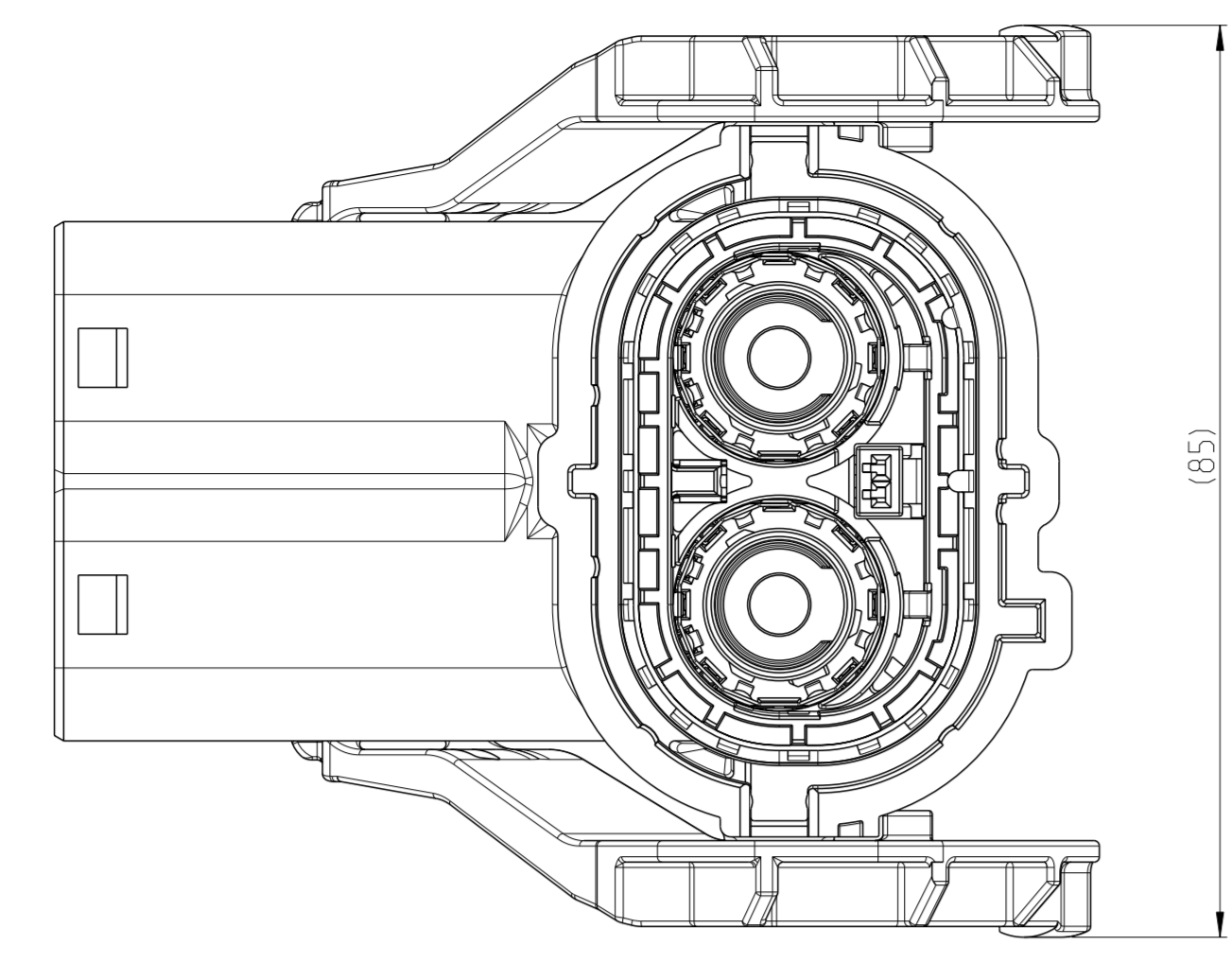


COD.	TE ASSY-NO.	ASSY-REV	QTY	DESCRIPTION	MATERIAL	WEIGHT (g)	SURFACE COLOUR	ITEM
D	2-2310922-4	A	1	CPA	PA66-GF V0	141.6	RED SIM RAL 3000	8
			1	ADAPTER	PA66-GF V0	-	DUSTY GRAY SIM RAL 7037	7
			1	LEVER, 2POS, 90 DEG	PA66-GF HB	-	WHITE SIM RAL 9010 (9001)	6
			1	2POS, MCON-1.2, REC HSG, 90 DEG, Assy	-	-	-	5
			1	RADIAL SEAL	SILICONE RUBBER	-	WHITE SIM RAL 9010	4
			2	ASSY: ISULATION INSERT - SHIELDING	△	-	-	3
			2	ASSY: ISULATION INSERT - SHIELDING	△	-	-	2
C	2-2310922-3	A	1	CPA	PA66-GF V0	141.6	RED SIM RAL 3000	8
			1	ADAPTER	PA66-GF V0	-	DUSTY GRAY SIM RAL 7037	7
			1	LEVER, 2POS, 90 DEG	PA66-GF HB	-	BLACK SIM RAL 9005 (9011)	6
			1	2POS, MCON-1.2, REC HSG, 90 DEG, Assy	-	-	-	5
			1	RADIAL SEAL	SILICONE RUBBER	-	WHITE SIM RAL 9010	4
			2	ASSY: ISULATION INSERT - SHIELDING	△	-	-	3
			2	ASSY: ISULATION INSERT - SHIELDING	△	-	-	2
B	2-2310922-2	B	1	CPA	PA66-GF V0	141.6	RED SIM RAL 3000	8
			1	ADAPTER	PA66-GF V0	-	DUSTY GRAY SIM RAL 7037	7
			1	LEVER, 2POS, 90 DEG	PA66-GF HB	-	WHITE SIM RAL 9010 (9001)	6
			1	2POS, MCON-1.2, REC HSG, 90 DEG, Assy	-	-	-	5
			1	RADIAL SEAL	SILICONE RUBBER	-	WHITE SIM RAL 9010	4
			2	ASSY: ISULATION INSERT - SHIELDING	△	-	-	3
			2	ASSY: ISULATION INSERT - SHIELDING	△	-	-	2
A	2-2310922-1	B	1	CPA	PA66-GF V0	141.6	RED SIM RAL 3000	8
			1	ADAPTER	PA66-GF V0	-	DUSTY GRAY SIM RAL 7037	7
			1	LEVER, 2POS, 90 DEG	PA66-GF HB	-	BLACK SIM RAL 9005 (9011)	6
			1	2POS, MCON-1.2, REC HSG, 90 DEG, Assy	-	-	-	5
			1	RADIAL SEAL	SILICONE RUBBER	-	WHITE SIM RAL 9010	4
			2	ASSY: ISULATION INSERT - SHIELDING	△	-	-	3
			2	ASSY: ISULATION INSERT - SHIELDING	△	-	-	2
1	2POS, 8MM HV, REC HSG, 90 DEG, SEALED	PA66-GF HB	-	ORANGE SIM RAL 2003	1			

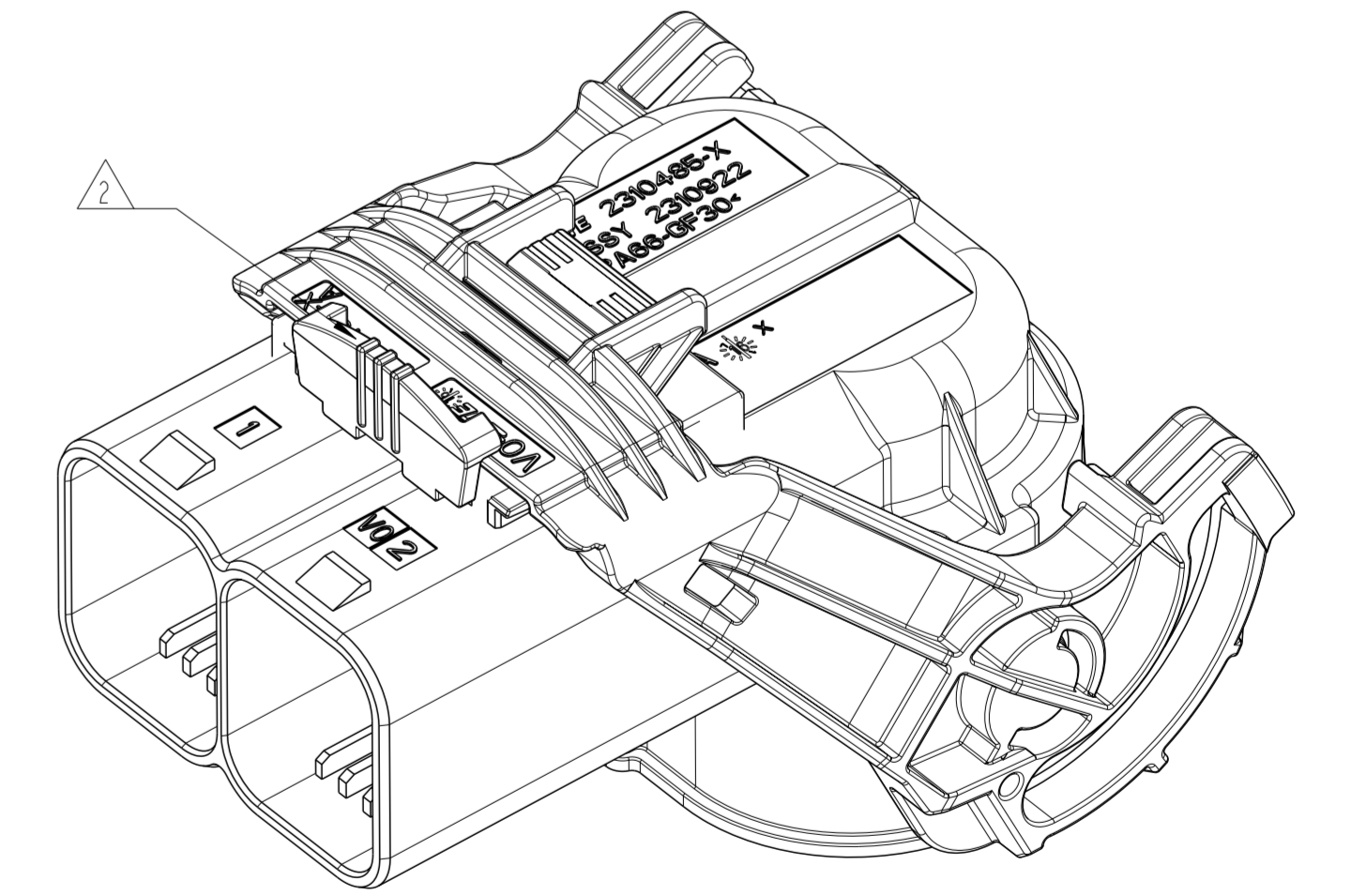
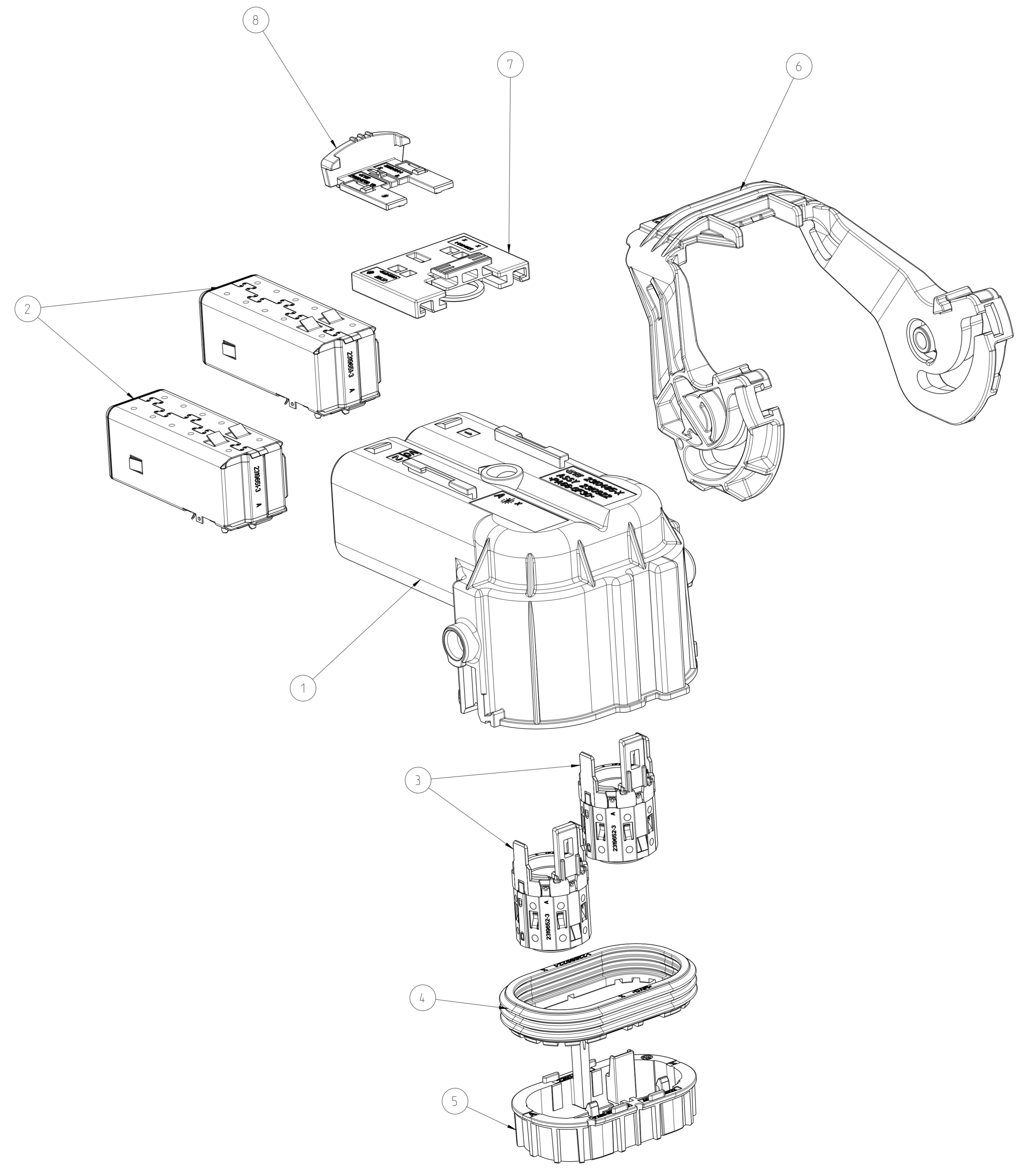
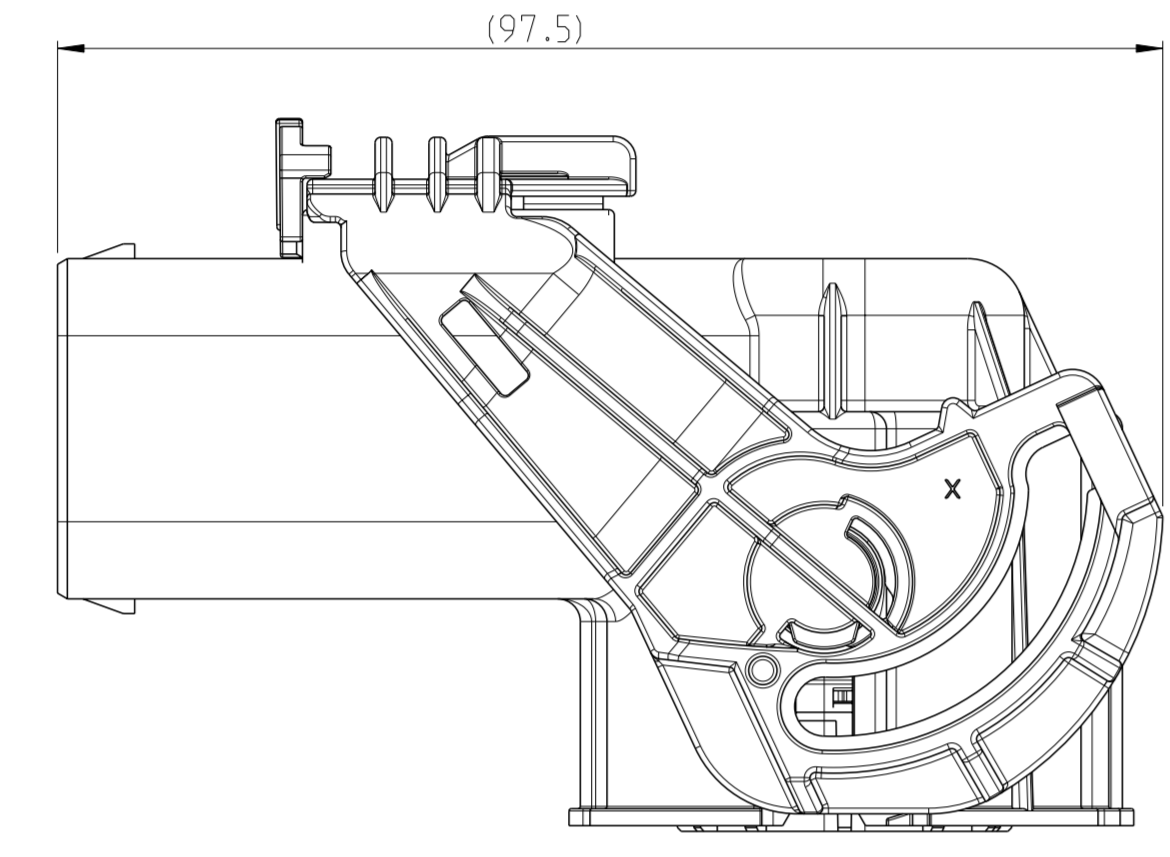
2--1 AS SHOWN

THIS DRAWING IS A CONTROLLED DOCUMENT.		DATE: 12 JUL 2017	BY: J.L.L.
DIMENSIONS: (mm)		DATE: 24 JUL 2017	BY: S.Y. WANG
TOLERANCES UNLESS OTHERWISE SPECIFIED:		DATE: 02 AUG 2017	BY: J.W.Y.
Ø	±0.05	DATE: 10 SEP 2017	BY: J.W.Y.
PL	±0.01	DATE: 10 SEP 2017	BY: J.W.Y.
PC	±0.0025	DATE: 10 SEP 2017	BY: J.W.Y.
ANGLE	±0.05	DATE: 10 SEP 2017	BY: J.W.Y.
FINISH: SPEC 2		DATE: 10 SEP 2017	BY: J.W.Y.
CUSTOMER DRAWING		DATE: 10 SEP 2017	BY: J.W.Y.

NAME: 2POS, 8mm HV, REC HSG, 90 DEG, ASSY SEALED	SIZE: A0	CASE CODE: 00779	DRAWING NO: 2310922	RESTRICTED TO: ALL BA
SCALE: 1:1	SHEET: 3	OF: 4		



CODINGS



COD.	TE	ASSY-NO.	ASSY-REV	QTY	DESCRIPTION	MATERIAL	WEIGHT (g)	SURFACE COLOUR	ITEM
D	3-2310922-4	A	1	CPA	PA66-GF V0	(14.1.6)	RED SIM RAL 3000	8	8
			1	ADAPTER	PA66-GF V0		DUSTY GRAY SIM RAL 7037	7	
			1	LEVER, 2POS, 90 DEG	PA66-GF V0		WHITE SIM RAL 9010 (9001)	6	
			1	2POS. MCON-1.2, REC HSG, 90 DEG, Assy	-		-	5	
			1	RADIAL SEAL	SILICONE RUBBER		LIGHT BLUE	4	
			2	ASSY: ISULATION INSERT - SHIELDING	△		-	3	
			2	ASSY: ISULATION INSERT - SHIELDING	△		-	2	
C	3-2310922-3	A	1	CPA	PA66-GF V0	(14.1.6)	RED SIM RAL 3000	8	8
			1	ADAPTER	PA66-GF V0		DUSTY GRAY SIM RAL 7037	7	
			1	LEVER, 2POS, 90 DEG	PA66-GF V0		BLACK SIM RAL 9005 (9011)	6	
			1	2POS. MCON-1.2, REC HSG, 90 DEG, Assy	-		-	5	
			1	RADIAL SEAL	SILICONE RUBBER		LIGHT BLUE	4	
			2	ASSY: ISULATION INSERT - SHIELDING	△		-	3	
			2	ASSY: ISULATION INSERT - SHIELDING	△		-	2	
B	3-2310922-2	B	1	CPA	PA66-GF V0	(14.1.6)	RED SIM RAL 3000	8	8
			1	ADAPTER	PA66-GF V0		DUSTY GRAY SIM RAL 7037	7	
			1	LEVER, 2POS, 90 DEG	PA66-GF V0		WHITE SIM RAL 9010 (9001)	6	
			1	2POS. MCON-1.2, REC HSG, 90 DEG, Assy	-		-	5	
			1	RADIAL SEAL	SILICONE RUBBER		LIGHT BLUE	4	
			2	ASSY: ISULATION INSERT - SHIELDING	△		-	3	
			2	ASSY: ISULATION INSERT - SHIELDING	△		-	2	
A	3-2310922-1	B	1	CPA	PA66-GF V0	(14.1.6)	RED SIM RAL 3000	8	8
			1	ADAPTER	PA66-GF V0		DUSTY GRAY SIM RAL 7037	7	
			1	LEVER, 2POS, 90 DEG	PA66-GF V0		BLACK SIM RAL 9005 (9011)	6	
			1	2POS. MCON-1.2, REC HSG, 90 DEG, Assy	-		-	5	
			1	RADIAL SEAL	SILICONE RUBBER		LIGHT BLUE	4	
			2	ASSY: ISULATION INSERT - SHIELDING	△		-	3	
			2	ASSY: ISULATION INSERT - SHIELDING	△		-	2	
1	2POS. 8MM HV, REC HSG, 90 DEG, SEALED	PA66-GF V0	ORANGE SIM RAL 2003	1					

REVISIONS			
REV	DATE	BY	APPD
1			

3--1 AS SHOWN

THIS DRAWING IS A CONTROLLED DOCUMENT. DATE: 12 JUL 2017. DRAWN BY: J.L.L. CHECKED BY: S.Y. WANG. APPROVED BY: J. WANG. DATE: 24 JUL 2017. DATE: 02 AUG 2017. NAME: 2POS, 8mm HV, REC HSG, 90 DEG. ASSY SEALED. REFERENCE: REFER TO 100-32233. REFER TO 114-32213. SIZE: A0. CASE CODE: 00779. DRAWING NO: 2310922. SCALE: 1:1. SHEET 6 OF 6. PART: B4.