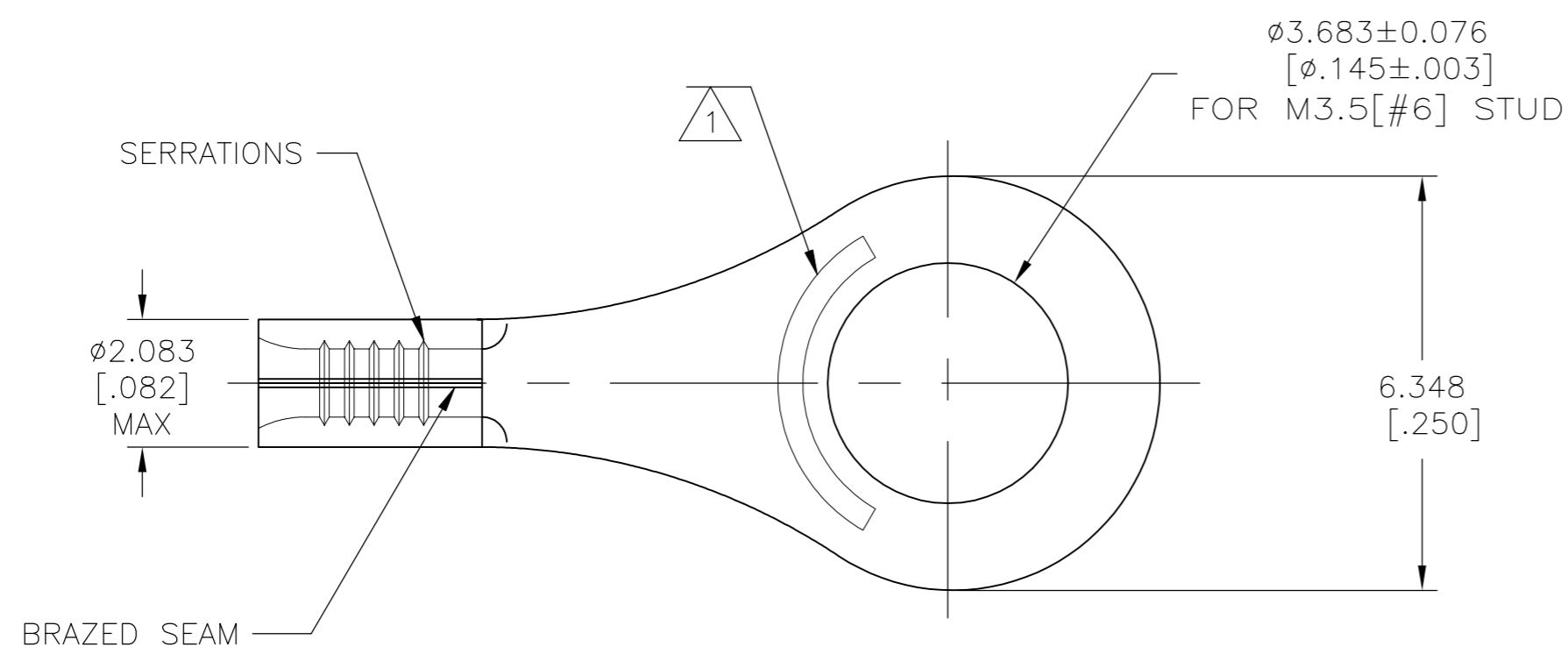


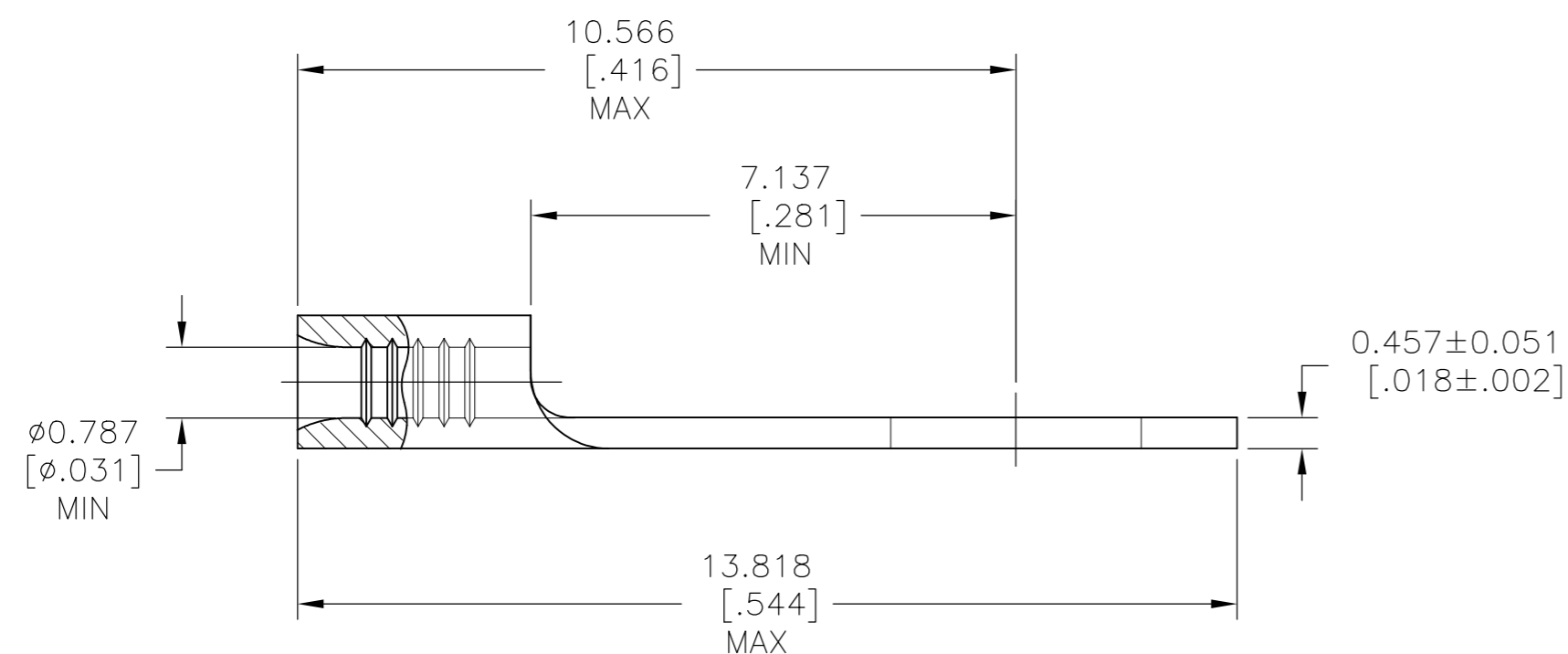
THIS DRAWING IS UNPUBLISHED. RELEASED FOR PUBLICATION
 © COPYRIGHT - By - ALL RIGHTS RESERVED.

| REVISIONS | | | | | |
|-----------|-----|---------------------------|-----------|-----|------|
| P | LTR | DESCRIPTION | DATE | DWN | APVD |
| D1 | | REVISED PER ECO-12-001469 | 24JAN12 | KH | DR |
| D2 | | REVISED PER ECO-17-008806 | 21FEB2018 | RS | DR |



AMP
 WIRE RANGE
 26-22 AWG
 SOLID OR STRANDED

- 1 STAMP AMP APPROX AS SHOWN
- 2 COPPER PER ASTM B152, ANNEALED
- 3 TIN PLATE 0.00254 (0.000100) MIN EXT THK PER ASTM B545
- 4 NOTE DELETED
- 5 NOTE DELETED



| | | | | |
|----------|---------------------------|----------------|--------|------------|
| 5000 | 170°C[338°F] | 331401 ON TAPE | 3 | 1-331401-1 |
| 1000 | 170°C[338°F] | LOOSE PIECE | 3 | 331401 |
| QUANTITY | MAX OPERATING TEMPERATURE | PACKAGE TYPE | FINISH | PART NO |

| | | |
|--|--|---|
| AMP INCORPORATED | | MAX RECOMMENDED OPERATING TEMPERATURE: SEE TABLE |
| CUSTOMER SERVICE SYSTEMS | | VOLTAGE RATING: NOT APPLICABLE |
| FOR ADDITIONAL PRODUCT INFORMATION OR COPIES OF DRAWINGS AND TECHNICAL DOCUMENTS | PRODUCT INFORMATION CENTER 1-800-522-6752 | WIRE CROSS SECTIONAL AREA RANGE: 0.1-0.41mm ² [202-810] CIR MILS SOLID OR STRANDED |
| FOR APPLICATION TOOLING INFORMATION | TOOLING ASSISTANCE CENTER 1-800-722-1111 | THIS DRAWING IS A CONTROLLED DOCUMENT FOR AMP INCORPORATED. IT IS SUBJECT TO CHANGE AND THE CONTROLLING ENGINEERING ORGANIZATION SHOULD BE CONTACTED FOR THE LATEST REVISION. |
| FOR ORDER ENTRY | 1-800-526-5142 | |

| | | | | |
|---|--|-------------------------------|---|--------------------|
| THIS DRAWING IS A CONTROLLED DOCUMENT. | | DWN TA BRINKMAN 3-9-93 | STE TE Connectivity Ltd. | |
| DIMENSIONS: mm [INCHES] | | CHK DA PATTERSON 3-9-93 | | |
| TOLERANCES UNLESS OTHERWISE SPECIFIED: | | APVD DE MILLER 3-9-93 | NAME TERMINAL, RING TONGUE, SOLISTRAND 26-22 AWG | |
| 0 PLC ± - 1 PLC ± - 2 PLC ± - 3 PLC ± 0.127[.005] 4 PLC ± - | | PRODUCT SPEC | SIZE A2 | CAGE CODE 00779 |
| MATERIAL 2 | | FINISH SEE TABLE | DRAWING NO C=331401 | RESTRICTED TO - |
| CUSTOMER DRAWING | | WEIGHT | SCALE 10:1 | SHEET 1 of 1 |
| | | | | REV D2 |