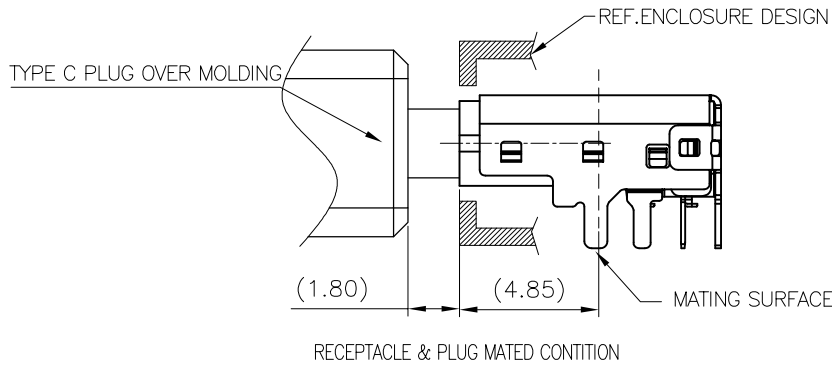
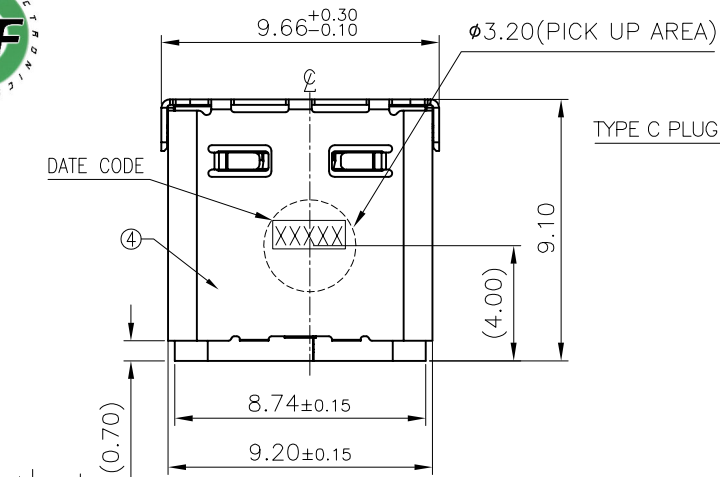
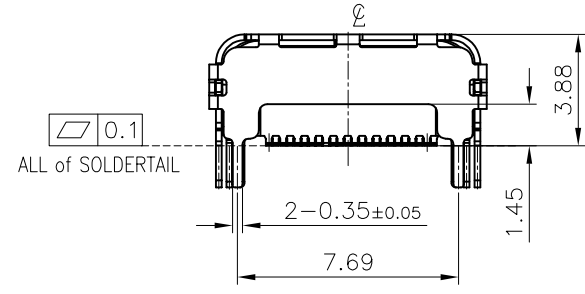
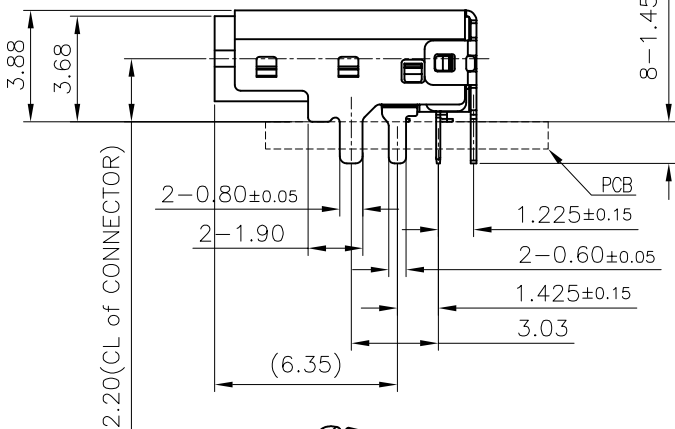
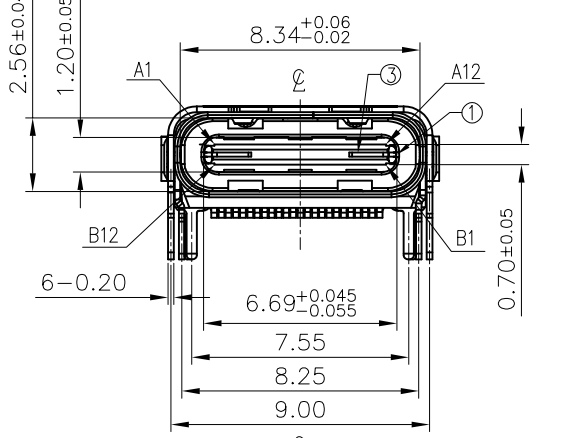




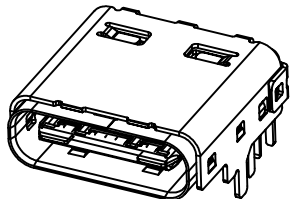
- NOTES: 1. MATERIAL:  
 1.1 HOUSING: THERMOPLASTIC, HIGH TEMP., UL94V-0;  
 1.2 CONTACT: HIGH CONDUCTIVITY COPPER ALLOY  
 1.3 GROUND PLATE: STAINLESS STEEL  
 1.4 OUTER SHELL: STAINLESS STEEL  
 1.5 INNER SHELL: STAINLESS STEEL  
 2. FINISH:  
 2.1 CONTACT:  
 D.30u" Au ON CONTACT FOR LEAD FREE.  
 80u" NICKEL UNDERPLATING OVERALL.  
 SOLDER TAILS: TIN 60u" MIN. OVER NICKEL.  
 2.2 GROUND PLATE & SHELL :  
 50u" MIN SOLDERABLE NICKEL UNDERPLATING OVERALL.  
 3. SPEC. PLS. REFER TO PS-55907-xxxxx-xxx  
 4. PACKAGE PLS REFER TO 57988-xxxx-xx-TRP  
 5. PART NUMBER



57988-024 X X-XXX  
 NO OF CKT: 001: NONE  
 PACKING: PLATING  
 0: TAPE & REEL D: 30u" Au



A12	GND	B1	GND
A11	SSRXp2	B2	SSTXp2
A10	SSRXn2	B3	SSTXn2
A9	VBUS	B4	VBUS
A8	SBU1	B5	CC2
A7	Dn1	B6	Dp2
A6	Dp1	B7	Dn2
A5	CC1	B8	SBU2
A4	VBUS	B9	VBUS
A3	SSTXn1	B10	SSRXn1
A2	SSTXp1	B11	SSRXp1
A1	GND	B12	GND
PIN	SIGNAL NAME	PIN	SIGNAL NAME



5	INNER SHELL	1
4	OUTER SHELL	1
3	GROUND PLATE	1
2	CONTACT	24
1	HOUSING	1
ITEM	DESCRIPTION	Q'TY

一般公差  
 TOLERANCES  
 X ±0.50 .XX ±0.15  
 X ±0.25 .XXX ±0.10  
 ANGLES ±1°

檢驗尺寸標示  
 SYMBOLS ⊕ ⊗ INDICATE CLASSIFICATION DIMENSION  
 ⊕ MARK IS CRITICAL DIM.  
 ⊗ MARK IS MAJOR DIM.  
 表面處理 (FINISH)

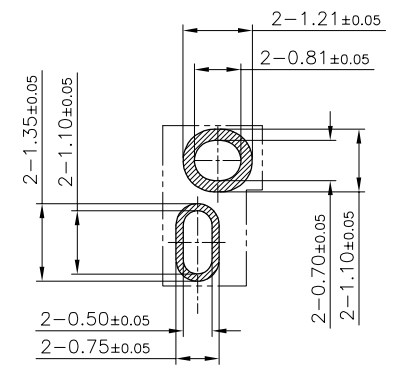
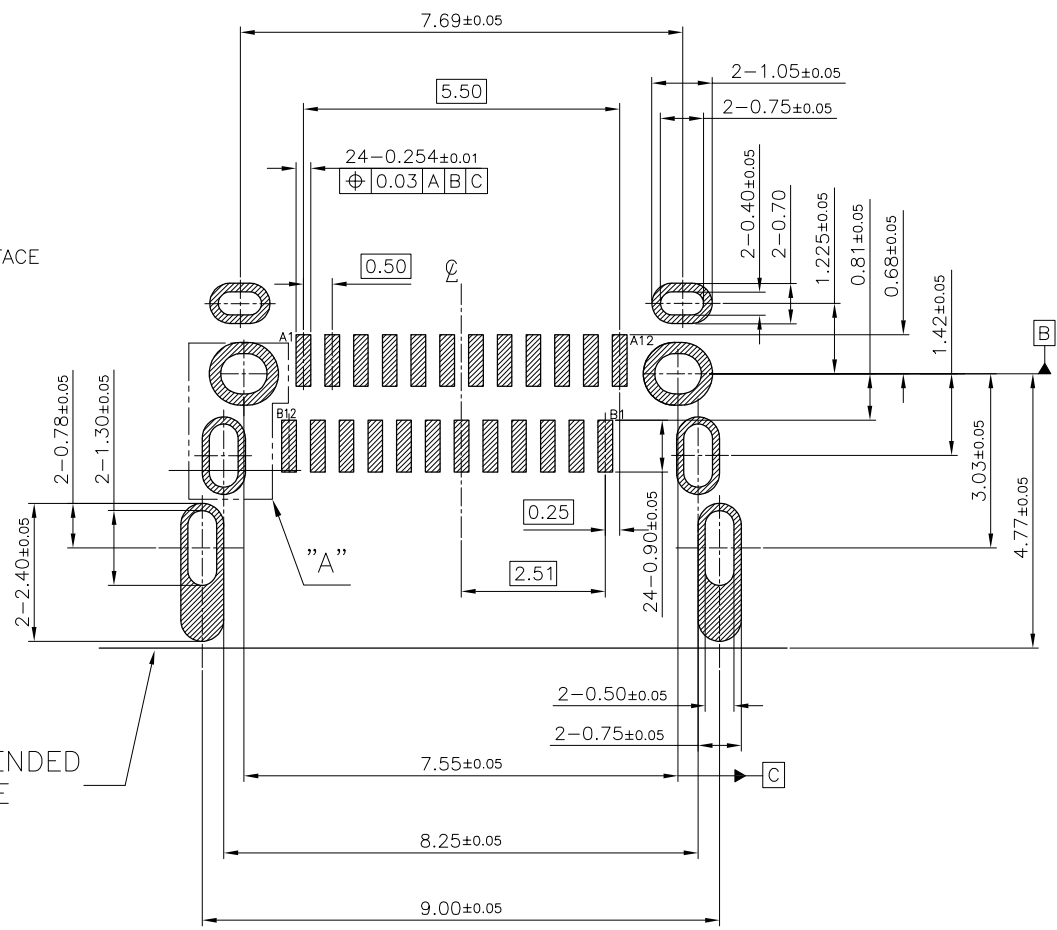
宏致電子股份有限公司  
 Aces Electronics Co., Ltd.

品名 (TITLE): USB 3.1 TYPE C Top-Mount REC ASSY (T/H R/A)  
 圖號 (DWG.NO): 57988-024XX-XXX  
 比例 (SCALE): 4:1  
 單位 (UNITS): mm

製圖 (DR): 19/04/02 HSU WEI CHUN  
 審核 (CHKD): 審核 (CHKD)  
 核准 (APPD): JACK KUO  
 張數 (SHEET): 1 OF 2  
 尺寸 (SIZE): A4  
 版次 (REV): A



- NOTES:
- ELECTRICAL CHARACTERISTICS:
    - LOW LEVEL CONTACT RESISTANCE:
      - INITIAL : 40mΩ FOR ALL CONTACT MAX.
      - AFTER : 10mΩ MAX. CHANGE.
    - DIELECTRIC WITHSTANDING VOLTAGE :
      - 100 VAC FOR 1 MINUTE SEA LEVEL.
    - INSULATION RESISTANCE :
      - 100MΩ MIN.
    - CURRENT RATING :
      - VBUS AND GND CONTACT RATED AT 1.25 A EA .
      - PARALLELED FOR A TOTAL OF 5A .
  - MECHANICAL CHARACTERISTICS :
    - INSERTION FORCE : 20N MAX.
    - EXTRACTION FORCE : 0~1000 CYCLE 8N MIN. 20N MAX.  
1001~10000 CYCLE 6N MIN. 20 N MAX.
    - DURABILITY : 10,000 CYCLES
    - OPERATING TEMPERATURE : -40°C TO +85°



一般公差 <b>TOLERANCES</b> X ±0.50 .XX ±0.15 X ±0.25 .XXX ±0.10 ANGLES ±1°		<b>宏致電子股份有限公司</b> Aces Electronics Co.,Ltd.	
檢驗尺寸標示 <b>SYMBOLS</b> <b>INDICATE</b> CLASSIFICATION DIMENSION	品名 (TITLE) USB 3.1 TYPE C Top-Mount REC ASSY (T/H R/A)	製圖 (DR) 19/04/02 HSU WEI CHUN 審核 (CHKD) CHANG CHUN TE.	
MARK IS CRITICAL DIM. MARK IS MAJOR DIM.	圖號 (DWG.NO) 57988-024XX-XXX	核准 (APPD) JACK KUO	
表面處理 (FINISH)	比例 (SCALE) 4:1	單位 (UNITS) mm	張數 (SHEET) 2 OF 2
			尺寸 (SIZE) A4
			版次 (REV) A