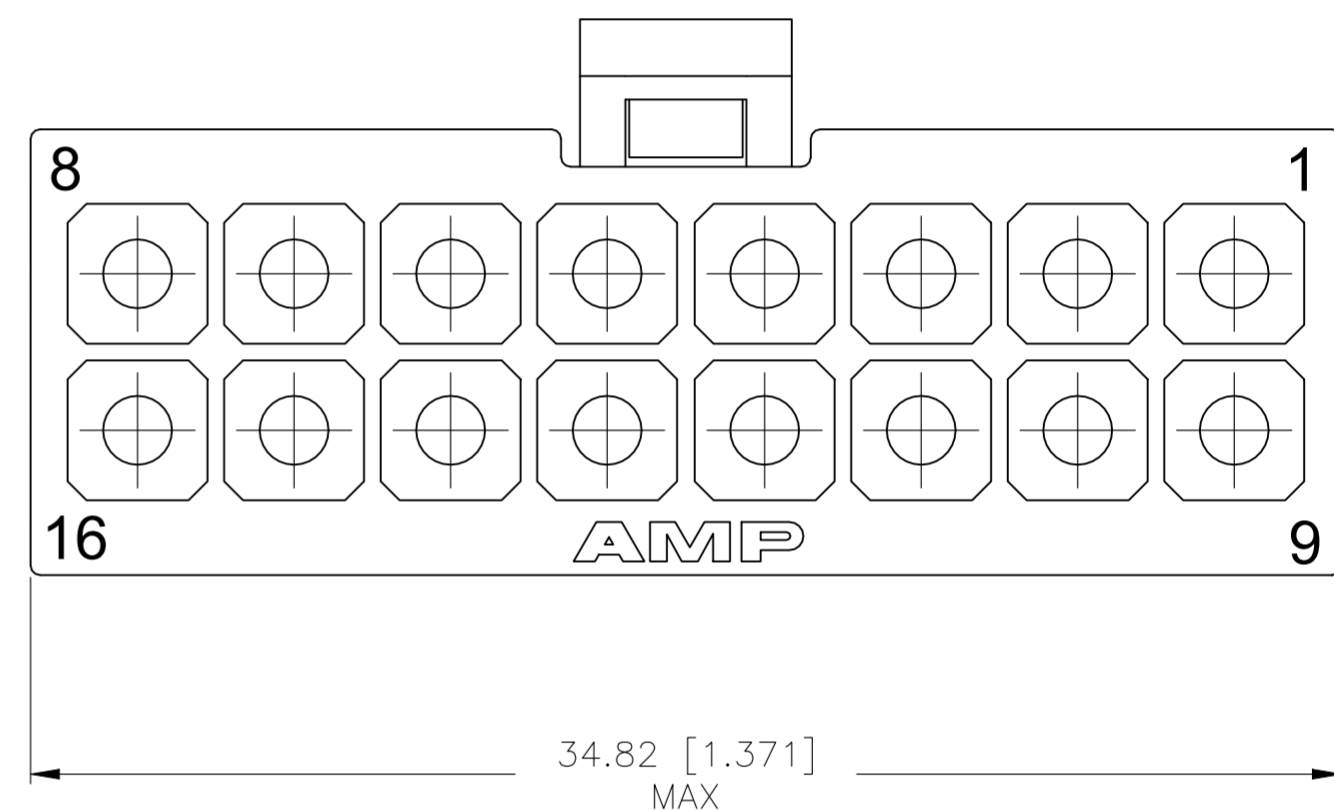
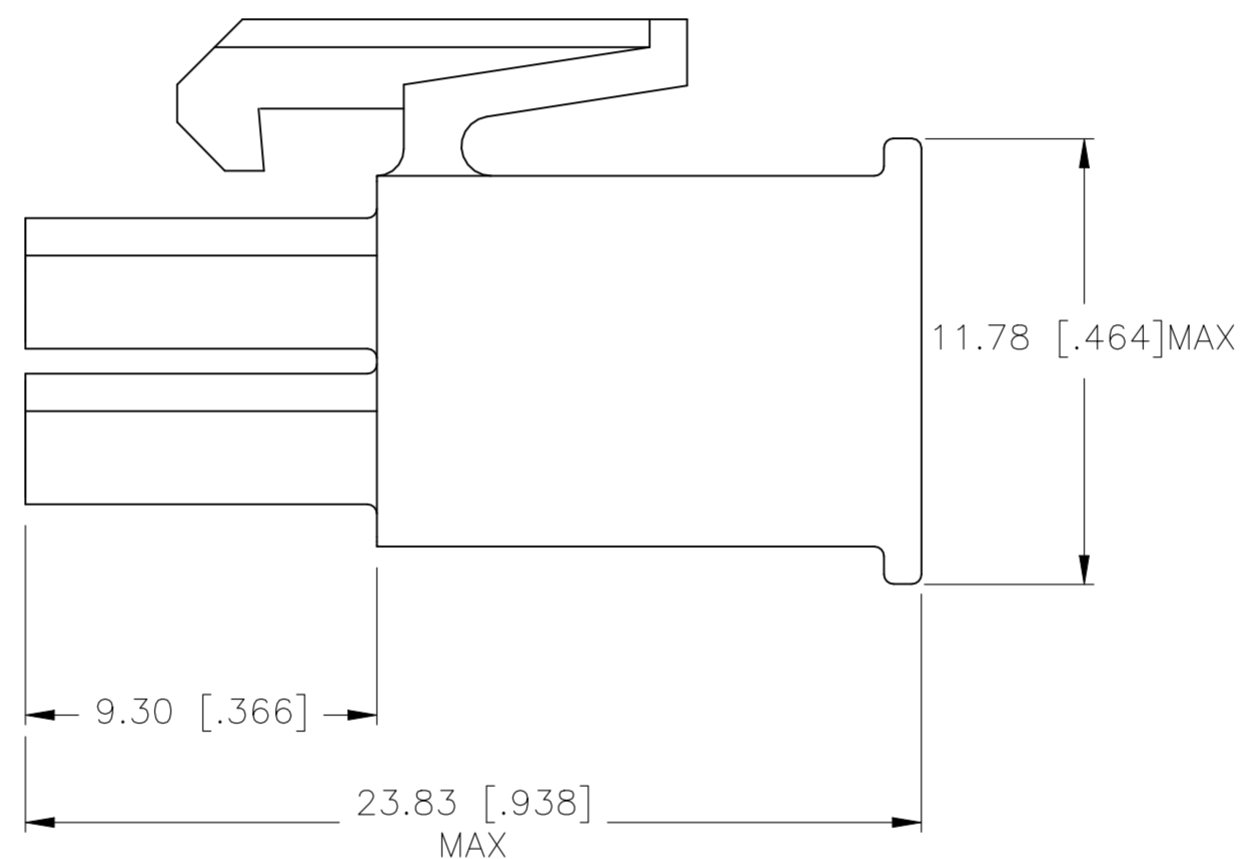
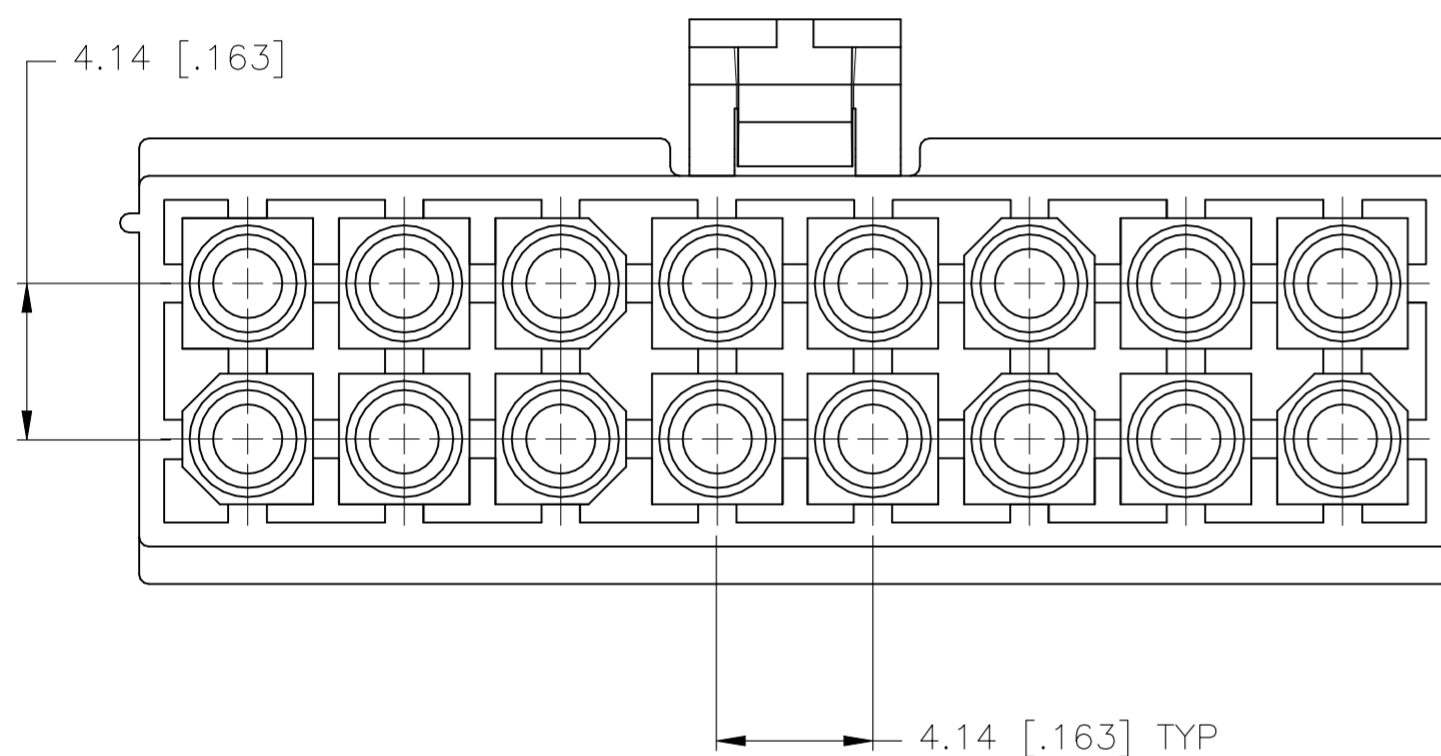
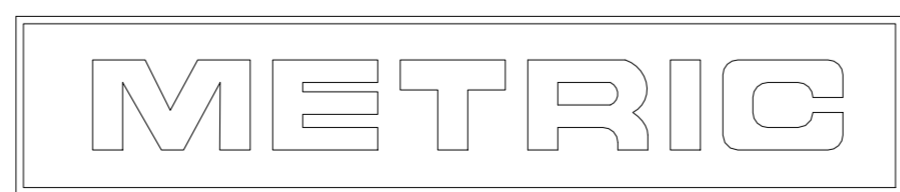


| REVISIONS | | | | | |
|-----------|-----|---------------------------|-----------|-----|------|
| P | LTR | DESCRIPTION | DATE | DWN | APVD |
| K1 | | REVISED PER ECR-22-133410 | 01APR2022 | SS | VS |

- INDIVIDUAL CORING FEATURES AROUND BASES OF SILOS MAY NOT BE PRESENT IN ALL LOCATIONS SHOWN.



770583-1
PART NUMBER



| | | | | | | | | | | | | | | | | |
|--|---------------|---------------------------------|---|--------------------|---|-------|---|-------|---------------|-------|---|--------|---|--------------|------------|--|
| THIS DRAWING IS A CONTROLLED DOCUMENT. | | DWN S. HOOVER 12-MAY-2004 | | | | | | | | | | | | | | |
| DIMENSIONS: mm [INCHES] | | CHK C. JONES 12-MAY-2004 | | | | | | | | | | | | | | |
| TOLERANCES UNLESS OTHERWISE SPECIFIED: | | APVD C. JONES 12-MAY-2004 | NAME PLUG, 16 CIRCUIT, MINI UNIVERSAL MATE-N-LOK™ | | | | | | | | | | | | | |
| <table border="0"> <tr><td>0 PLC</td><td>±</td></tr> <tr><td>1 PLC</td><td>±</td></tr> <tr><td>2 PLC</td><td>±</td></tr> <tr><td>3 PLC</td><td>± 0.13 [.005]</td></tr> <tr><td>4 PLC</td><td>±</td></tr> <tr><td>ANGLES</td><td>±</td></tr> </table> | | 0 PLC | ± | 1 PLC | ± | 2 PLC | ± | 3 PLC | ± 0.13 [.005] | 4 PLC | ± | ANGLES | ± | PRODUCT SPEC | SIZE A2 | |
| 0 PLC | ± | | | | | | | | | | | | | | | |
| 1 PLC | ± | | | | | | | | | | | | | | | |
| 2 PLC | ± | | | | | | | | | | | | | | | |
| 3 PLC | ± 0.13 [.005] | | | | | | | | | | | | | | | |
| 4 PLC | ± | | | | | | | | | | | | | | | |
| ANGLES | ± | | | | | | | | | | | | | | | |
| MATERIAL NYLON, UL 94V-0 WHITE | | FINISH | WEIGHT 0.000000 | CAGE CODE 00779 | | | | | | | | | | | | |
| | | APPLICATION SPEC | DRAWING NO C=770583 | RESTRICTED TO | | | | | | | | | | | | |
| | | CUSTOMER DRAWING | SCALE 5:1 | SHEET 1 of 1 | | | | | | | | | | | | |
| | | | REV K1 | | | | | | | | | | | | | |